

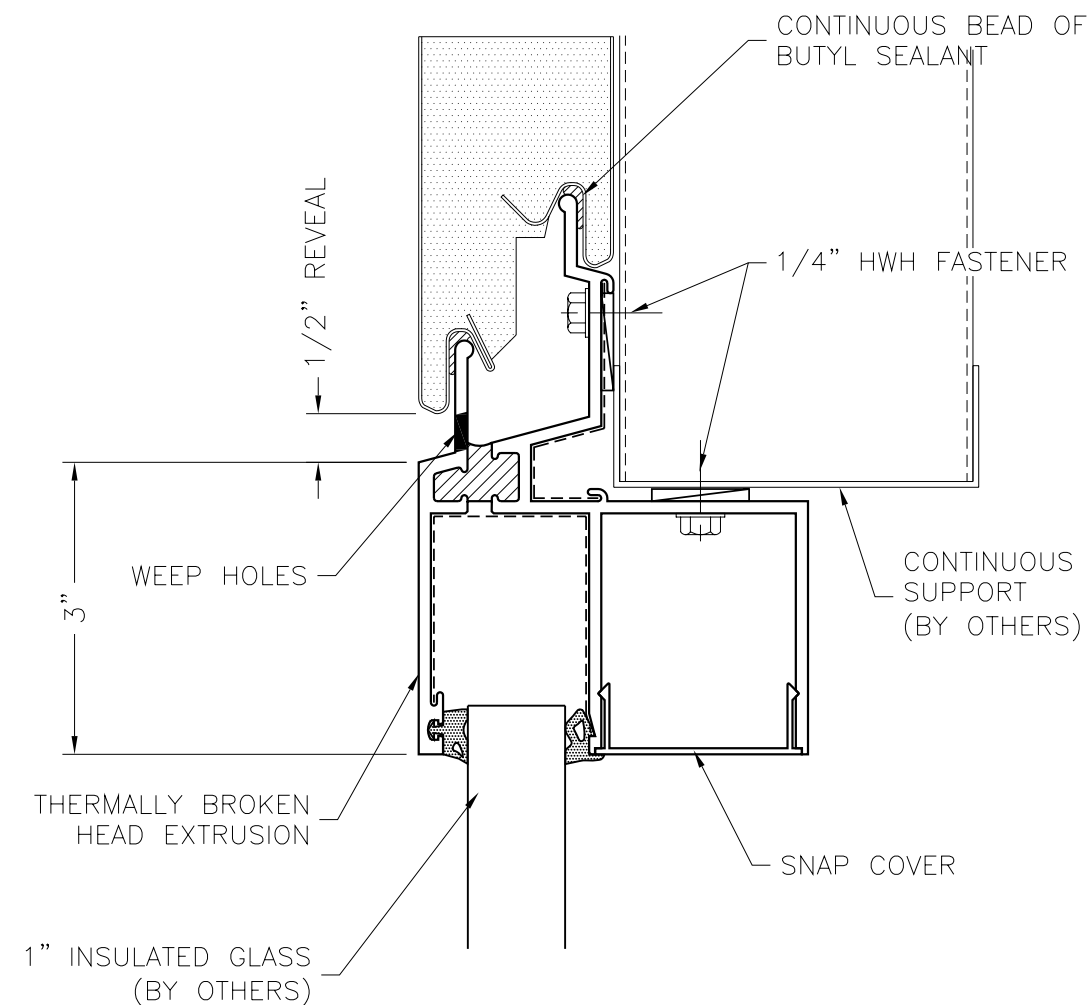
REFER TO SHEET "CI-INFO" FOR ADDITIONAL INFORMATION, REGARDING THE APPLICATION OF PANEL SEALANTS, FASTENERS, AND CLOSURE MATERIALS.

CONSULT METL-SPAN TO DETERMINE ALLOWABLE LOAD AND SPACING OF ATTACHMENT FASTENERS

SILL ATTACHMENT DETAIL
FOR METL-VISION
WINDOW

APPLICATION:
COMMERCIAL & INDUSTRIAL

2-MV-01



REFER TO SHEET "CI-INFO" FOR ADDITIONAL INFORMATION, REGARDING THE APPLICATION OF PANEL SEALANTS, FASTENERS, AND CLOSURE MATERIALS.

CONSULT METL-SPAN TO DETERMINE ALLOWABLE LOAD AND SPACING OF ATTACHMENT FASTENERS

HEAD ATTACHMENT DETAIL
FOR METL-VISION
WINDOW

APPLICATION:
COMMERCIAL & INDUSTRIAL

2-MV-02