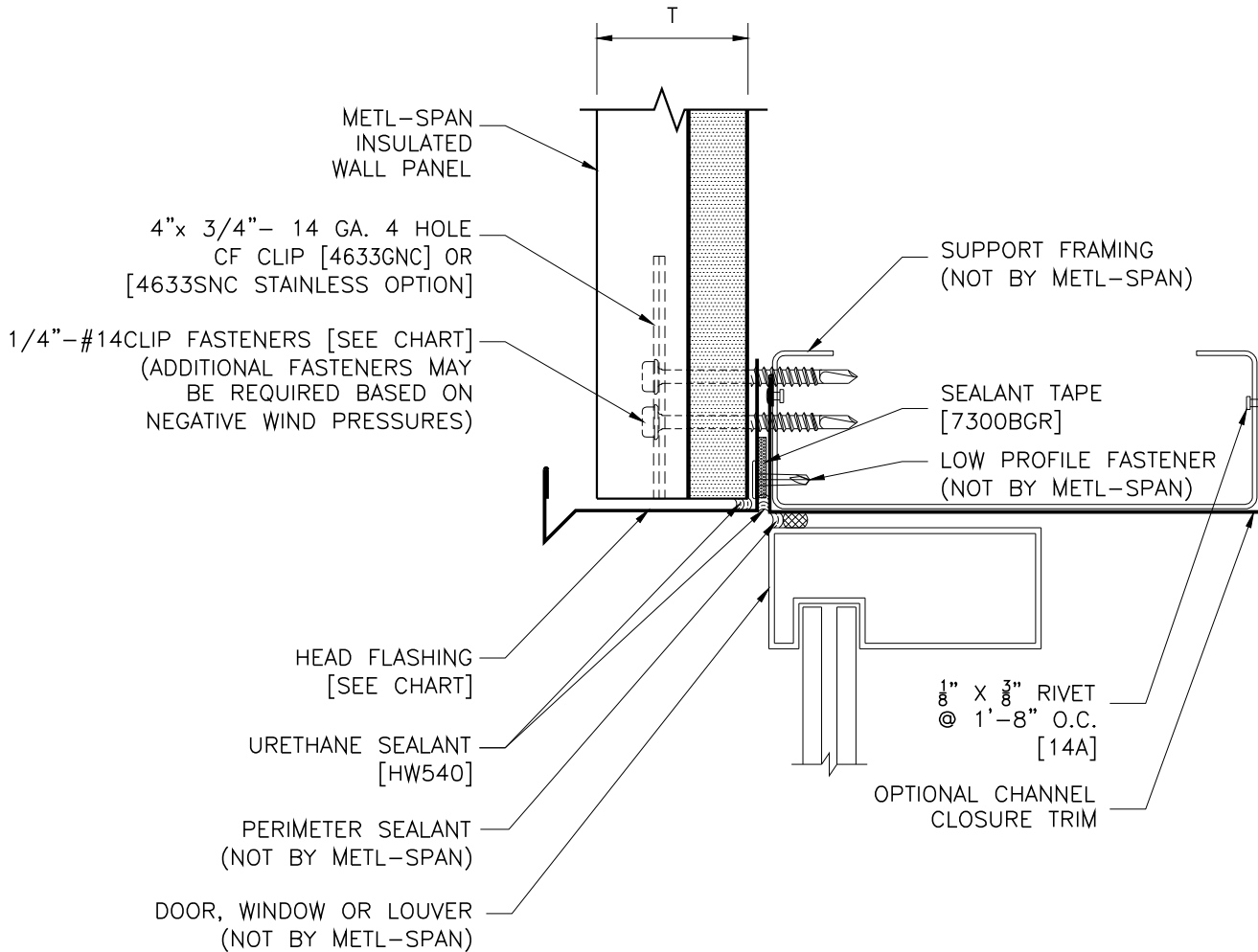


T = 3", 4", 5" & 6"



REFER TO SHEET "CI-INFO" FOR ADDITIONAL INFORMATION REGARDING THE APPLICATION OF SEALANTS, FASTENERS, AND CLOSURE MATERIALS.
CONSULT METL-SPAN TO DETERMINE ALLOWABLE LOAD AND SPACING OF ATTACHMENT FASTENERS.

T	HEAD TRIM	TEK III CLIP FASTENER	TEK V CLIP FASTENER	TYPE B CLIP FASTENER
3"	F3242	1624PNC	1732PNC	1824PNC
4"	F3243	1632PNC	1740PNC	1832PNC
5"	F3245	1640PNC	1748PNC	1840PNC
6"	F3246	1648PNC	1756PNC	1848PNC

7.2 INSUL-RIB HEAD
DETAIL WITH TRIM

VERTICAL APPLICATION:
COMMERCIAL & INDUSTRIAL

7.2-HD-01
DATE: Nov. 9, 2016