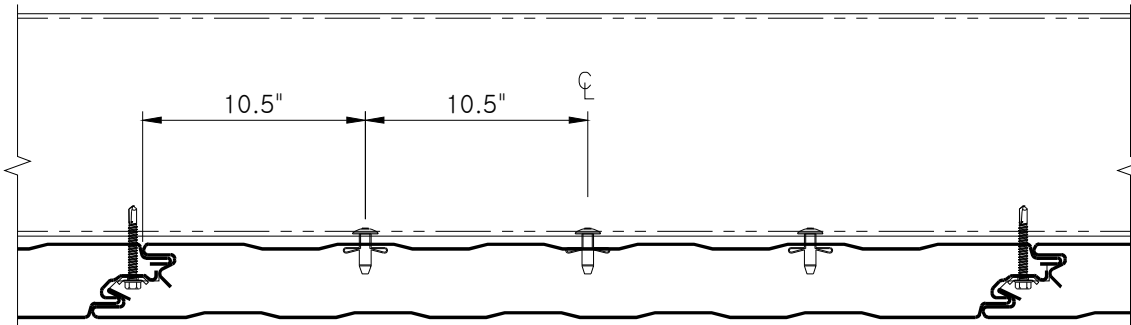


DIMENSION IS FROM
FEMALE EDGE +/- 1.5"

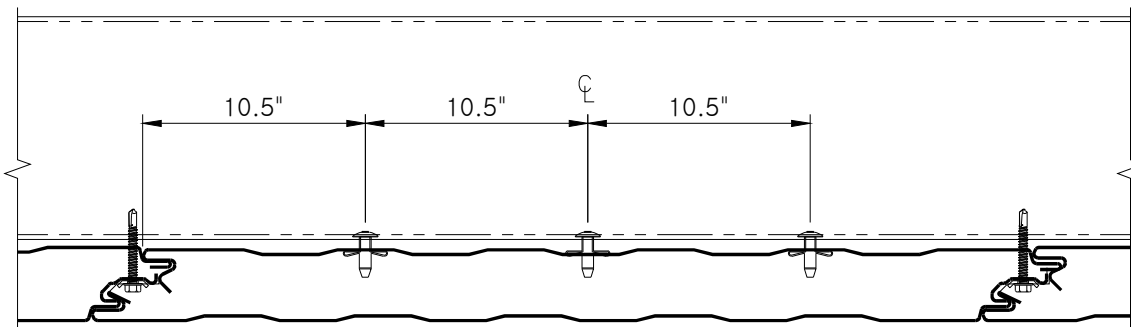


(FP3)

FASTENING PATTERN 3
SIDE JOINT FASTENING
AND TWO DOME HEAD
BULB-TITE® RIVETS

INSTALL RIVET THROUGH GIRT FLANGE
INTO MESA WHERE THE SKIN MAKES
CONTACT WITH THE STEEL

DIMENSION IS FROM
FEMALE EDGE +/- 1.5"



(FP4)

FASTENING PATTERN 4
SIDE JOINT FASTENING
WITH THREE DOME HEAD
BULB-TITE® RIVETS

INSTALL RIVET THROUGH GIRT FLANGE
INTO MESA WHERE THE SKIN MAKES
CONTACT WITH THE STEEL

(CONSULT FACTORY FOR FASTENER REQUIREMENTS NEEDED TO MEET SPECIFIC LOAD REQUIREMENTS)