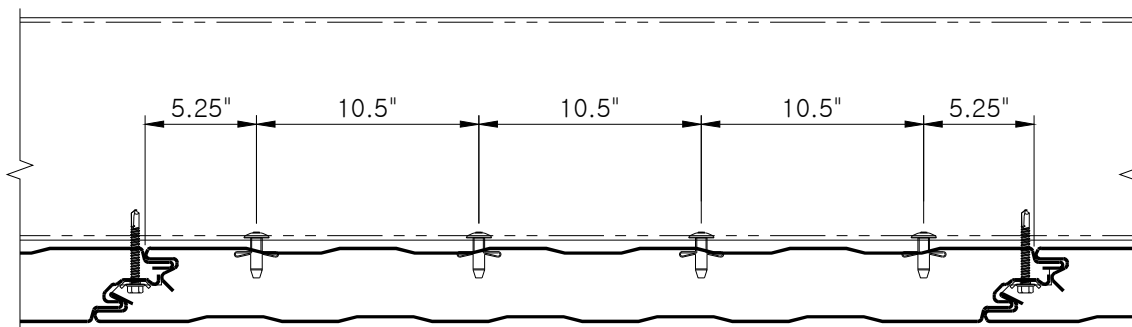


DIMENSION IS FROM
FEMALE EDGE +/- 1.5"

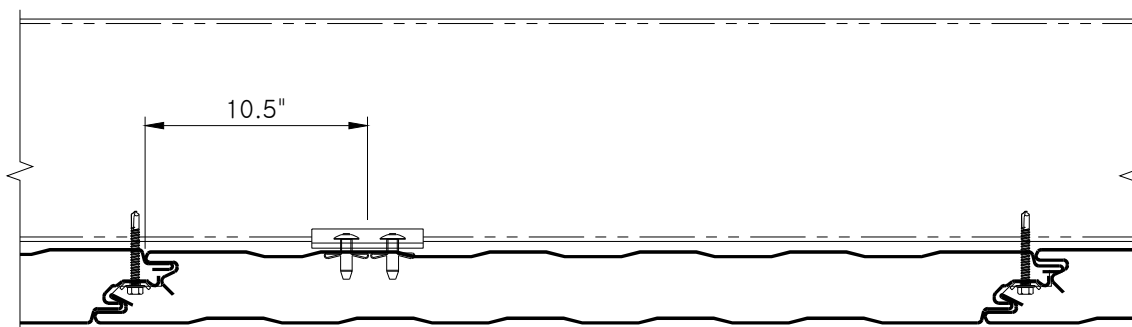


(FP5)

FASTENING PATTERN 5
SIDE JOINT FASTENING
AND BACK FASTENING WITH
FOUR DOME HEAD BULB-TITE® RIVETS

INSTALL RIVET THROUGH GIRT FLANGE
INTO MESA WHERE THE SKIN MAKES
CONTACT WITH THE STEEL

DIMENSION IS FROM
FEMALE EDGE +/- 1.5"



(FP6)

FASTENING PATTERN 6
SIDE JOINT FASTENING
AND ONE GIRT CLIP WITH TWO DOME HEAD
BULB-TITE® RIVETS

INSTALL RIVET THROUGH GIRT FLANGE
INTO MESA WHERE THE SKIN MAKES
CONTACT WITH THE STEEL

(CONSULT FACTORY FOR FASTENER REQUIREMENTS NEEDED TO MEET SPECIFIC LOAD REQUIREMENTS)

COMMERCIAL &
INDUSTRIAL

FASTENING PATTERNS

CI-CF-FP 5-6

DATE: Nov. 9, 2016