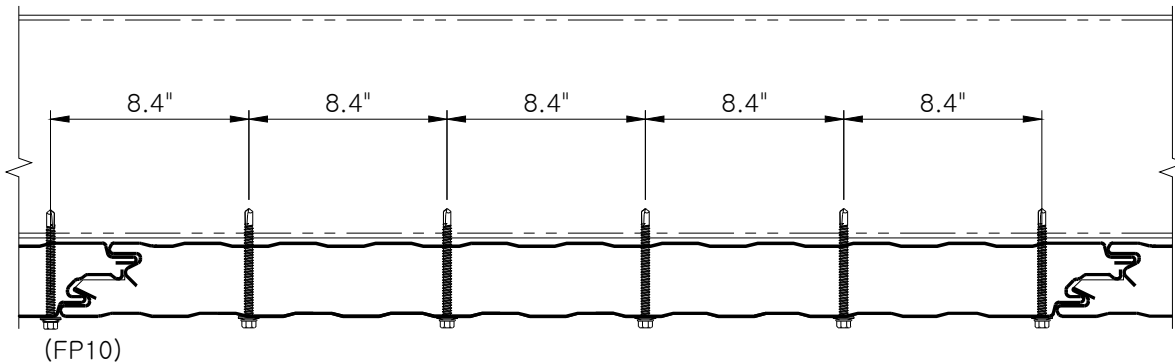


FASTENING PATTERN 9
WITH FOUR SELF-TAPPING
SCREWS WITH MIN. 20 GA.
NEOPRENE BONDED WASHER



FASTENING PATTERN 10
WITH FIVE SELF-TAPPING
SCREWS WITH MIN. 20 GA.
NEOPRENE BONDED WASHER

(CONSULT FACTORY FOR FASTENER REQUIREMENTS NEEDED TO MEET SPECIFIC LOAD REQUIREMENTS)

COMMERCIAL &
INDUSTRIAL

FASTENING PATTERNS

© 2016 Metl-Span, a NCI Building Systems company. All rights reserved.

CI-CF-FP 9-10

DATE: Nov. 9, 2016