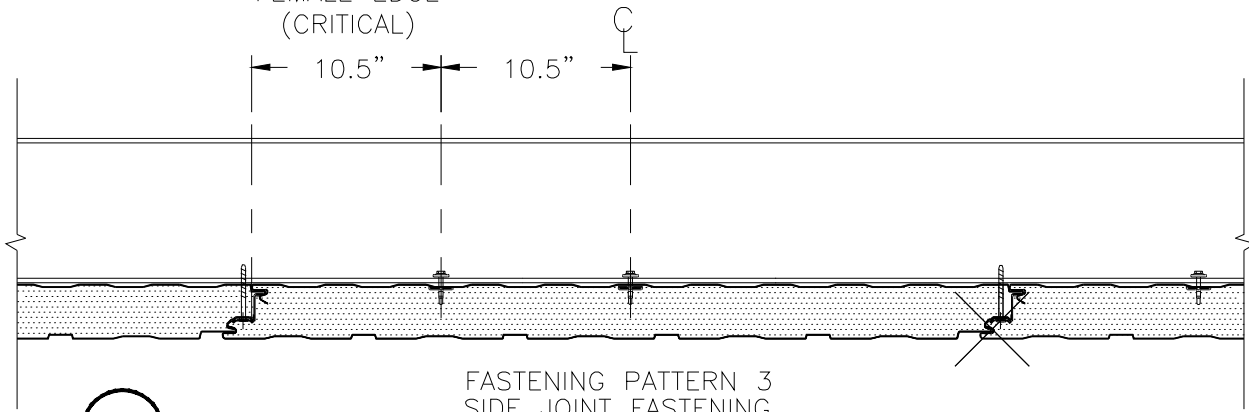


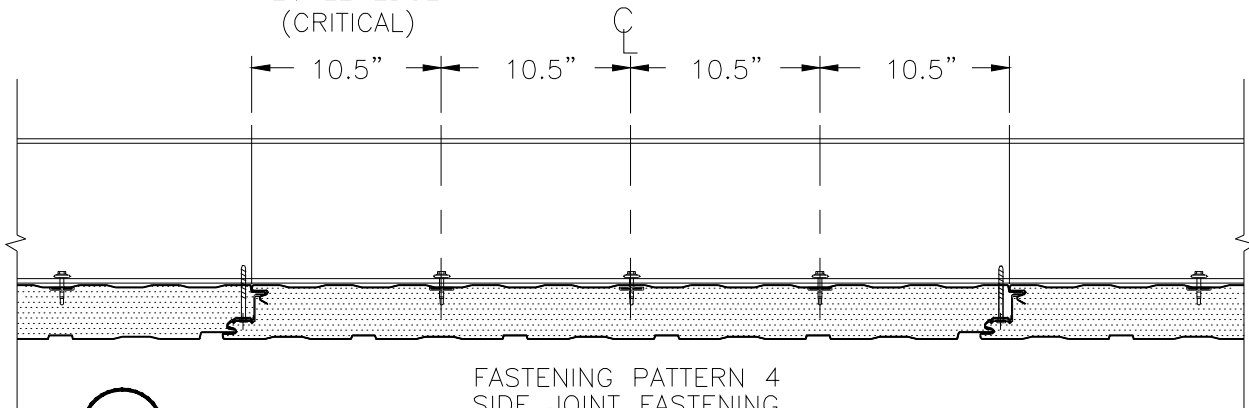
DIMENSION IS FROM
FEMALE EDGE
(CRITICAL)



FP3

FASTENING PATTERN 3
SIDE JOINT FASTENING
WITH TWO FAB-LOKS
BACK FASTENING

DIMENSION IS FROM
FEMALE EDGE
(CRITICAL)



FP4

FASTENING PATTERN 4
SIDE JOINT FASTENING
WITH THREE FAB-LOKS
BACK FASTENING

(CONSULT FACTORY FOR FASTENER REQUIREMENTS NEEDED TO MEET SPECIFIC LOAD REQUIREMENTS)

FASTENING PATTERNS

APPLICATION:
FASTENING

FP 3-4