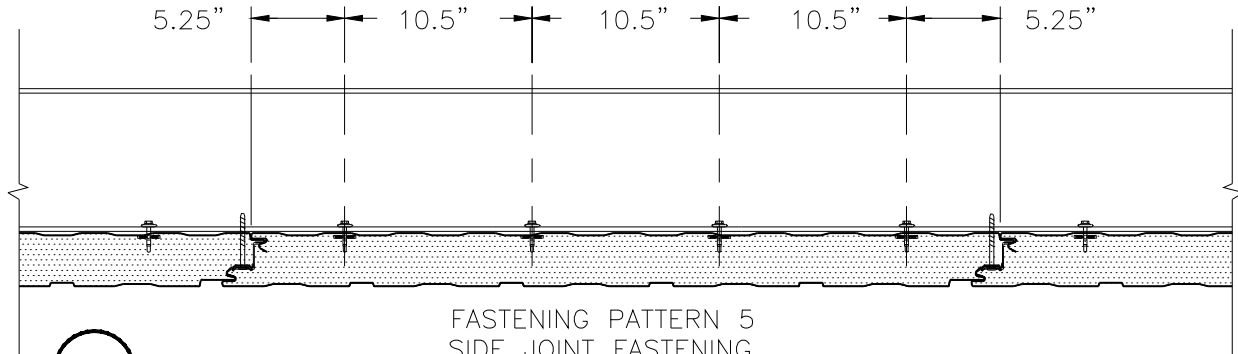


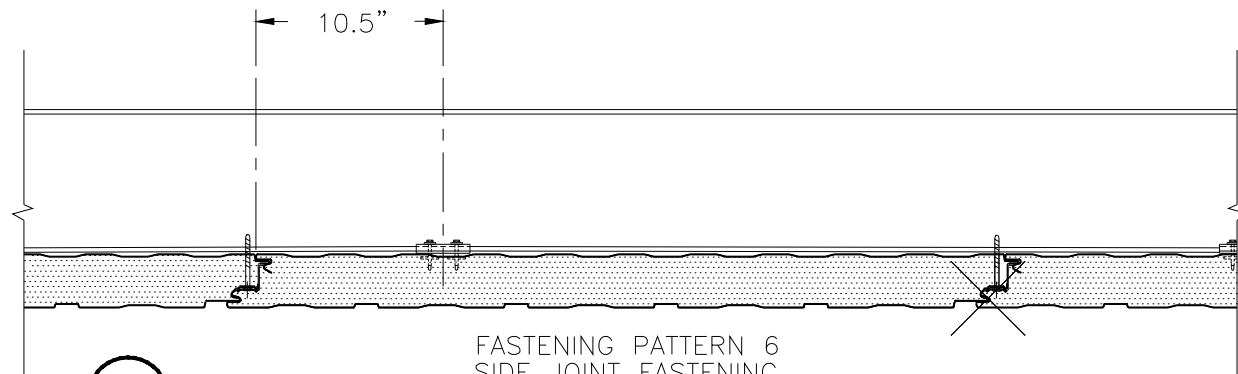
DIMENSION IS FROM
FEMALE EDGE
(CRITICAL)



FP5

FASTENING PATTERN 5
SIDE JOINT FASTENING
AND BACK FASTENING WITH
FOUR FAB-LOKS PER PANEL

DIMENSION IS FROM
FEMALE EDGE
(CRITICAL)



FP6

FASTENING PATTERN 6
SIDE JOINT FASTENING
AND ONE GIRT CLIP WITH TWO FAB-LOKS
BACK FASTENING

(CONSULT FACTORY FOR FASTENER REQUIREMENTS NEEDED TO MEET SPECIFIC LOAD REQUIREMENTS)

FASTENING PATTERNS

APPLICATION:
FASTENING

FP 5-6

DATE: Nov. 9, 2016