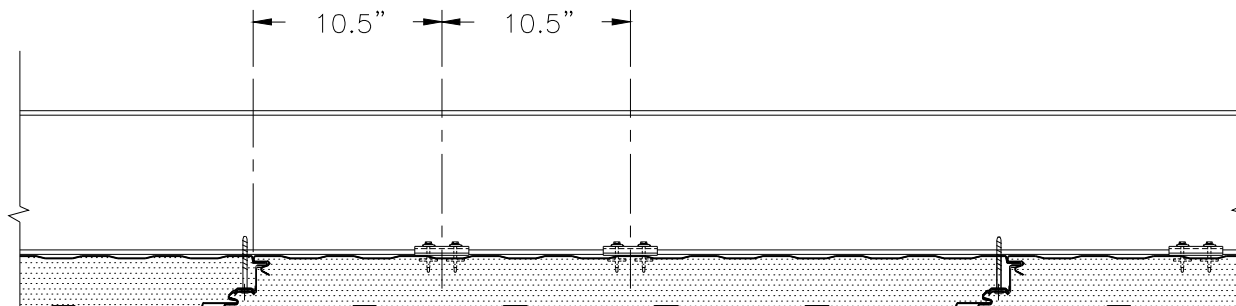


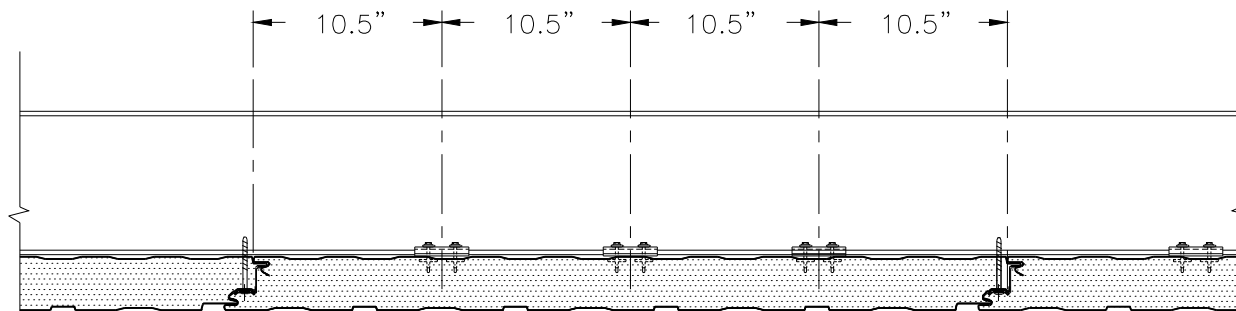
DIMENSION IS FROM
FEMALE EDGE
(CRITICAL)



FP7

FASTENING PATTERN 7
SIDE JOINT FASTENING
AND TWO GIRT CLIPS WITH TWO FAB-LOKS EACH
BACK FASTENING

DIMENSION IS FROM
FEMALE EDGE
(CRITICAL)



FP8

FASTENING PATTERN 8
SIDE JOINT FASTENING
AND THREE GIRT CLIPS WITH TWO FAB-LOKS EACH
BACK FASTENING

(CONSULT FACTORY FOR FASTENER REQUIREMENTS NEEDED TO MEET SPECIFIC LOAD REQUIREMENTS)

FASTENING PATTERNS

APPLICATION:
FASTENING

FP 7-8

DATE: Nov. 9, 2016