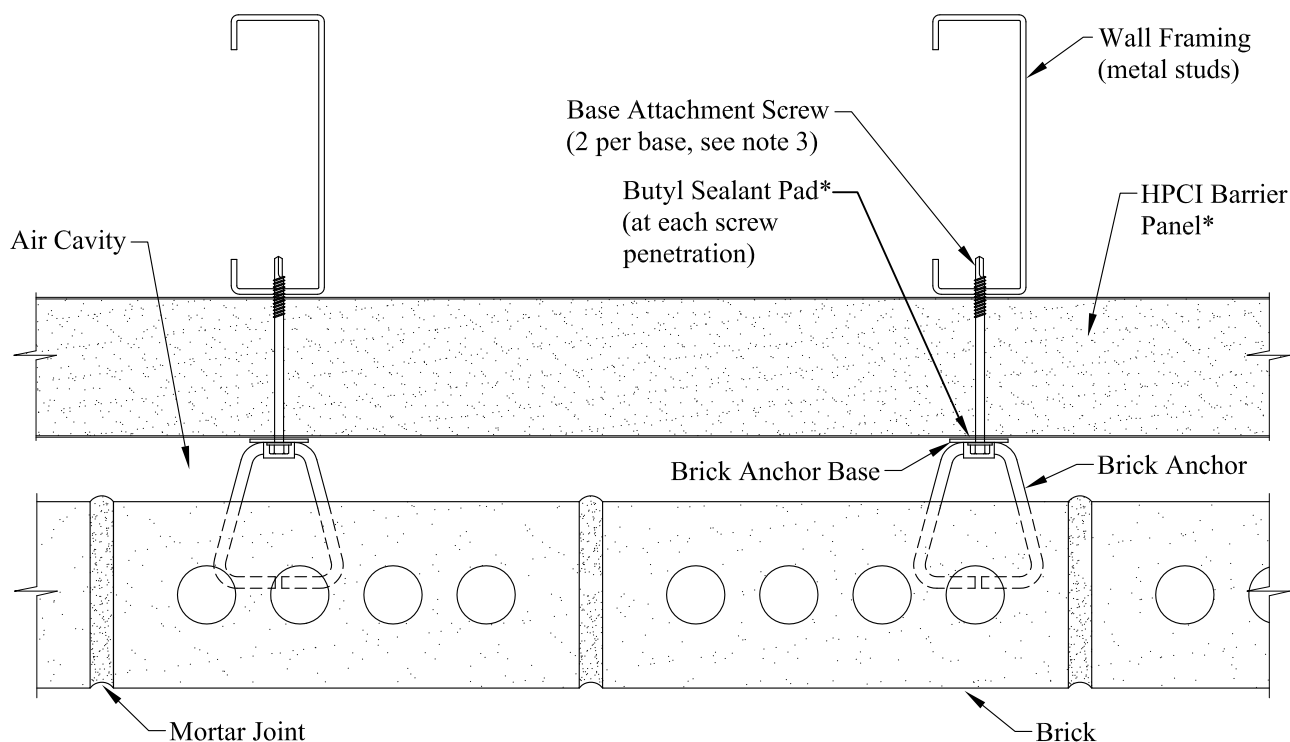


Assembly Section



Assembly Plan View

Notes:

1. * Designates components provided or available from Metl-Span.
2. Reference the governing code for brick anchor spacing.
3. Brick anchor screw size (pull-out strength) is determined by negative wind pressure design requirements.
4. Reference brick and brick anchor manufacturer's information for specific brick and anchor details.

Brick & Anchor
Assembly

HPCI Barrier Panel
w/ Brick Veneer Cladding

HPCI-BC-02

Date: August 15, 2012