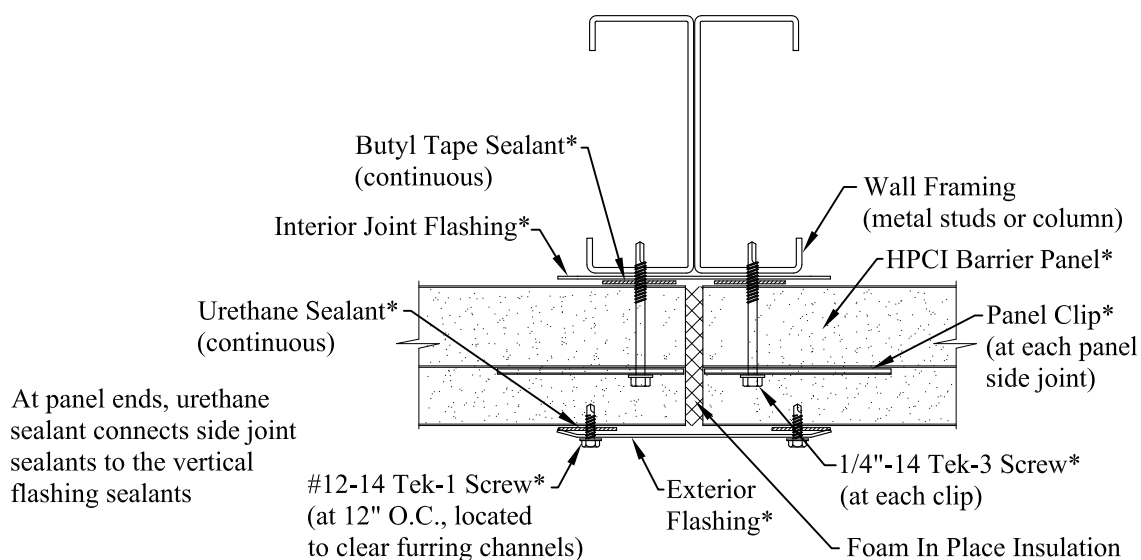


Barrier Panel Side Joint
Plan View



Barrier Panel End Joint
Plan View

Notes:

1. * Designates components provided by or available from Metl-Span.
2. Intermediate wall framing members to provide 2 1/2" min. panel bearing width.
3. At panel end joint, wall framing member to provide 5" min. panel bearing width.
4. At panel end joint, space between panels ends is 3/4".

Barrier Panel
Side & End Joint Details

HPCI Barrier Panel

HPCI-BP-03

Date: Sept. 15, 2012