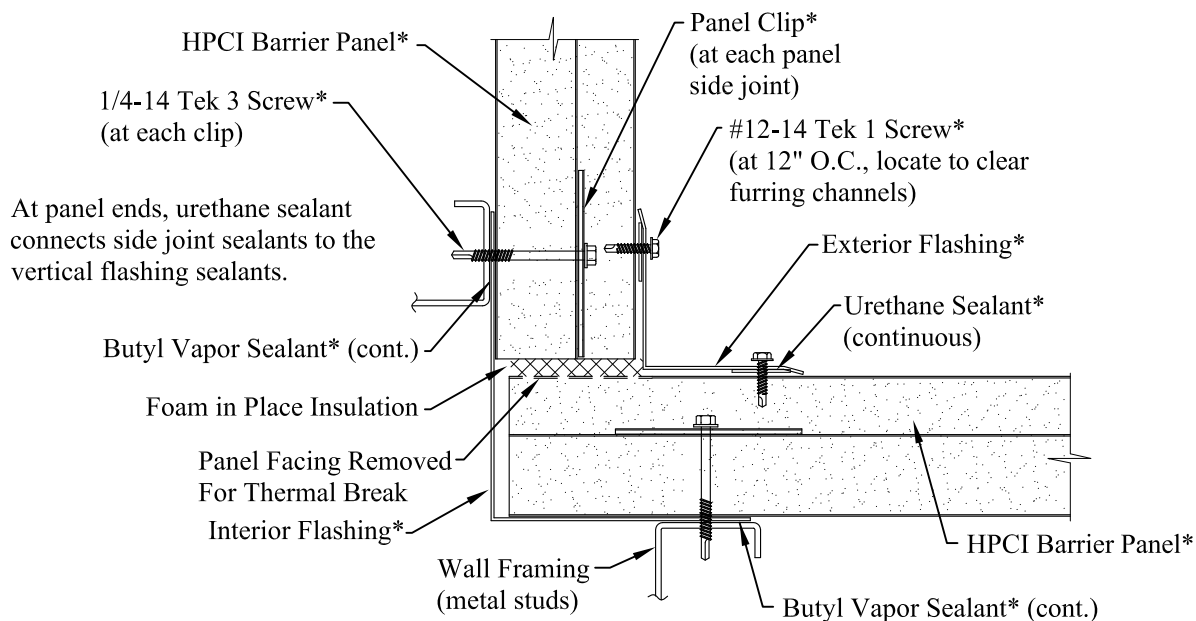


Barrier Panel Outside Corner
Plan View



Barrier Panel Inside Corner
Plan View

Notes:

- * Designates components provided or available from Metl-Span.
- At corners, wall framing members to provide 2 1/2" min. panel bearing width.

Barrier Panel
Corner Details

HPCI Barrier Panel

HPCI-BP-04

Date: Sept. 15, 2012