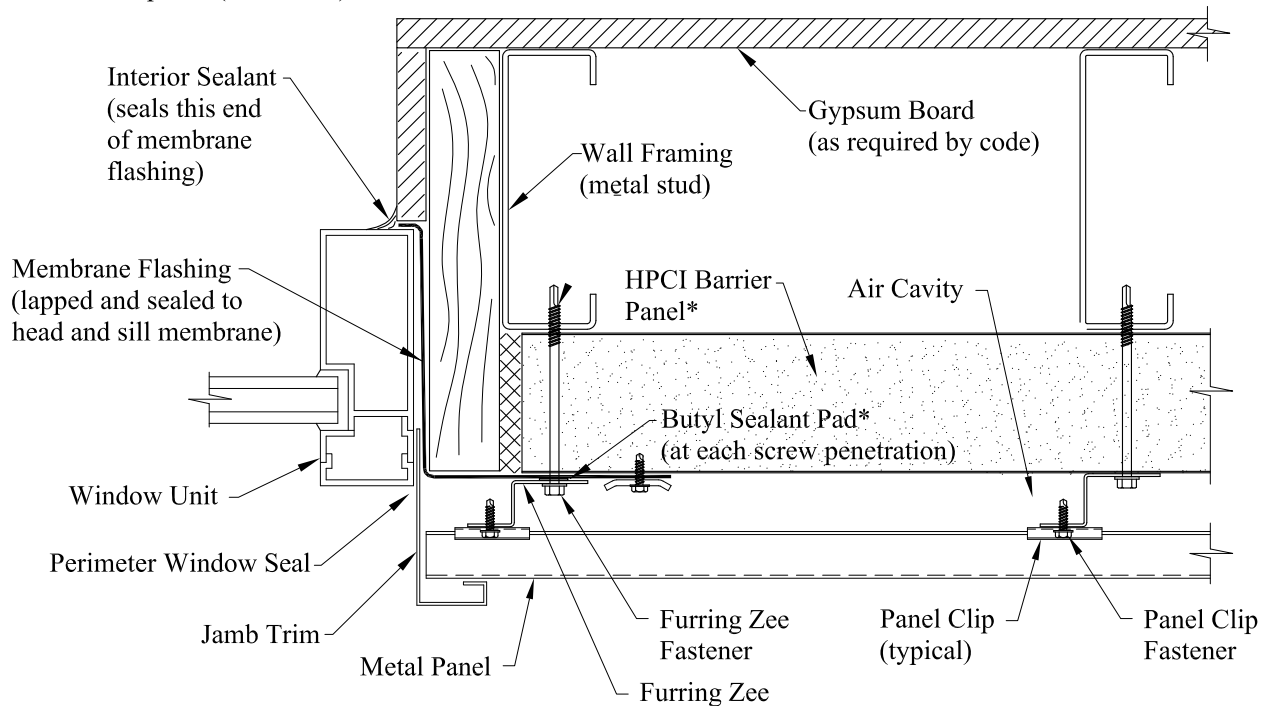


HPCI Panel Jamb Detail

Window framing interior vapor barrier as required (not shown)



Wall Plan @ Window Jamb

Notes:

1. * Designates components provided or available from Metl-Span.
2. Membrane termination bar shown. Self adhering membrane is project designer's option.
3. Reference metal panel manufacturer's information for specific panel and clip details.
4. Window assembly shown as generic representation only. Actual assembly is as specified by the project designer.

Jamb Detail
Wood Framed

HPCI Barrier Panel
w/ Metal Panel Cladding

HPCI-MP-16

Date: Sept. 15, 2012