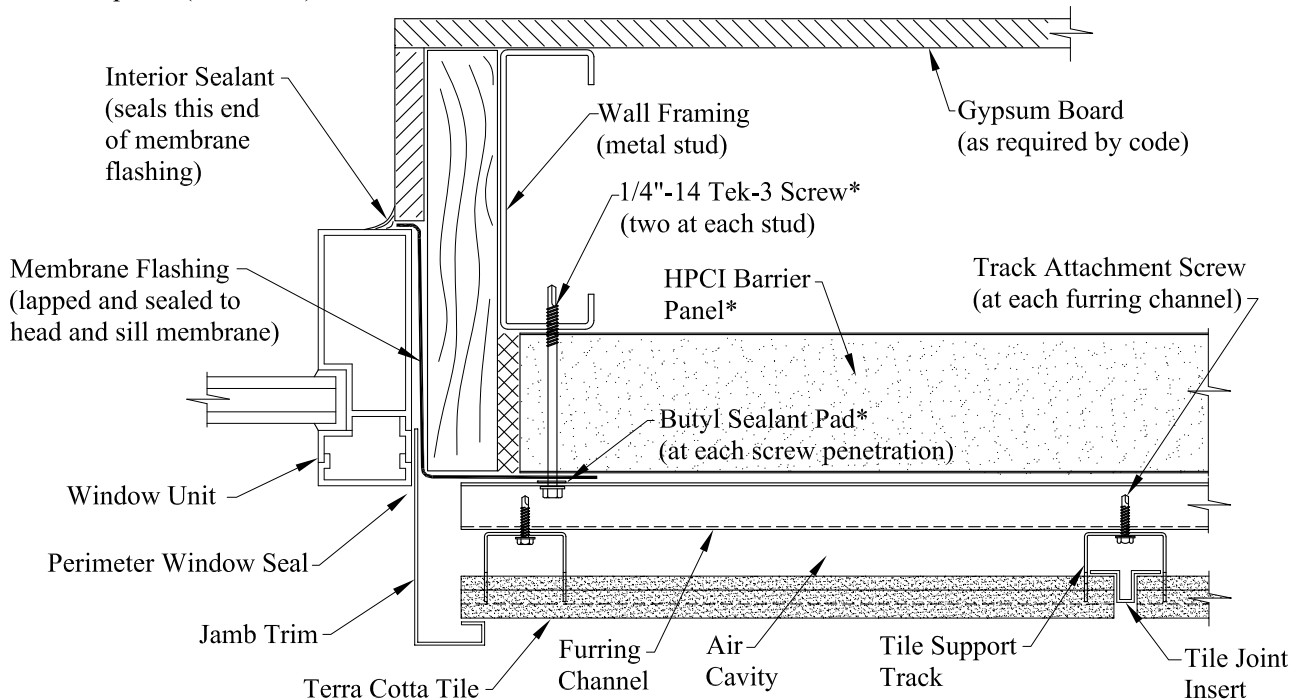


**HPCI Panel Jamb Detail**

Window framing interior vapor seal as required (not shown)



**Wall Plan @ Window Jamb**

**Notes:**

1. \* Designates components provided or available from Metl-Span.
2. Membrane termination bar shown. Self adhering membrane is project designer's option.
3. Reference terra cotta manufacturer's information for tile and track details.
4. Window assembly shown as generic representation only. Actual assembly is as specified by the project designer.

Jamb Detail  
Wood Framed

HPCI Barrier Panel  
w/ Terra Cotta Cladding

HPCI-TC-16

Date: August 15, 2012