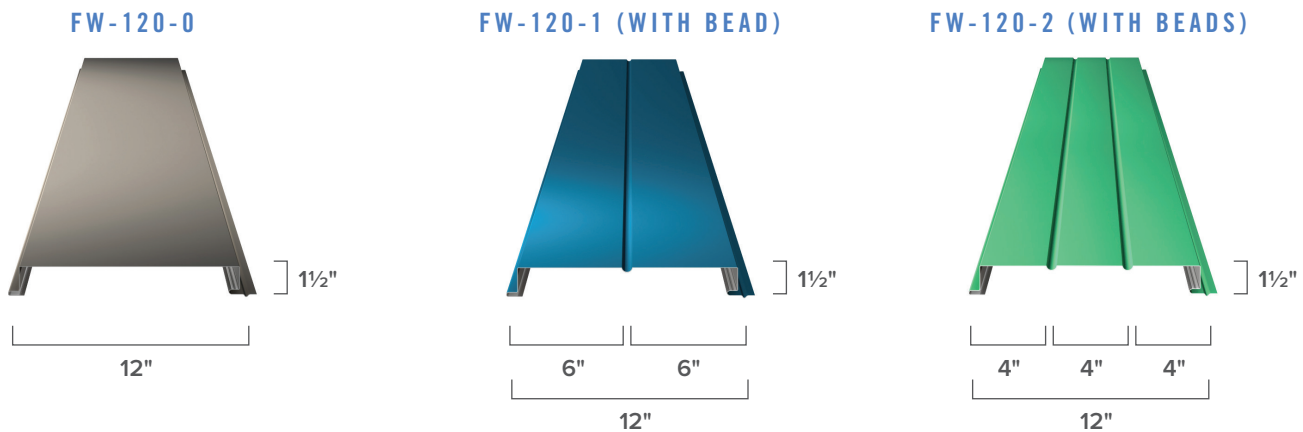




FW-120

CONCEALED FASTENER SINGLE-SKIN METAL PANELS

The FW-120 Panel is a concealed fastener wall-and-liner panel that provides a flat appearance. FW-120 is commonly used for architectural, commercial and industrial markets. The heavy gauge offering allows for large spanning capabilities, particularly in composite wall applications. The panel is available in a flat profile, with one or two beads.



PRODUCT SPECIFICATIONS

PROFILE • Flat with options of one bead at 6" o.c. or two beads 4" apart

WIDTH • 12"

LENGTH • 5'-0" to 30'-0"

EXTERIOR FACE • AZ-50 aluminum-zinc coated steel in 24, 22 and 20 Ga.

STANDARD EXTERIOR • Full-Strength 70% PVDF Fluoropolymer Coating

FINISHES & COLORS • Please see reverse side for all available colors. Please inquire where order minimums apply.

FASTENING • Concealed fastening system

FW-120 METAL PANEL COLORS

PANEL NAME		FW-120 PANEL		
AVAILABLE GAUGES		24 GA.	22 GA.	20 GA.
Standard II	Brownstone	•	OM	OM
	Almond	•	OM	OM
Premium I	Harbor Blue	•	OM	OM
	Pacific Blue	•	OM	OM
	Colonial Red	•	OM	OM
	Brite Red	•	OM	OM
	Slate Gray	•	OM	OM
	Tundra	•	OM	OM
	Snow White	•	•	•
	Natural Patina	•	OM	OM
	Spruce	•	OM	OM
	Hunter Green	•	OM	OM
	Classic Green	•	OM	OM
	Medium Bronze	•	OM	OM
Premium II Metallic	Copper Metallic	•	CF	CF
	Silver Metallic	•	CF	CF
Standard SP	Light Stone	•	CF	CF
	Ash Gray	•	CF	CF
Premium SP	Hawaiian Blue	•	CF	CF
	Fern Green	•	CF	CF
	Burnished Slate	•	CF	CF
	Koko Brown	•	CF	CF
	Charcoal Gray	•	CF	CF
	Rustic Red	•	CF	CF
	Solar White	•	CF	CF

• = Available with no order minimums required

OM = Available with order minimums CF = Contact factory for availability

Standard II & Premium I: Full-Strength 70% PVDF Fluoropolymer Coating

Standard SP & Premium SP: Siliconized Polyester Coating

Descriptions and specifications contained herein were in effect at the time this publication was approved for printing. In a continuing effort to refine and improve products, Metl-Span reserves the right to discontinue products at any time or change specifications and/or designs without incurring obligation. To ensure you have the latest information available, please inquire or visit our website at metlspan.com.