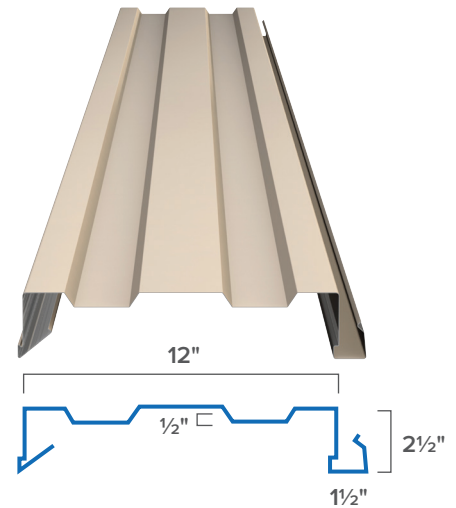




NUWALL®

CONCEALED FASTENER SINGLE-SKIN METAL PANELS

The NuWall® Panel combines ease of installation in both new and retrofit applications with the pleasing aesthetic appeal of a clean, uninterrupted wall. For retrofit construction, all installation work is performed outside with no disruption to the interior workplace. NuWall® can be installed over an existing R panel wall; other panel profiles may require the use of subgirts. The panel is attached to the structure with self-drilling fasteners on one side of the panel only, no clips required. The adjoining panel simply snaps into the previous panel for quick installation.



PRODUCT SPECIFICATIONS

PROFILE • 2½" deep panel with ½" deep fluting

WIDTH • 12"

LENGTH • 5'-0" to 40'-0"

EXTERIOR FACE • AZ-50 aluminum-zinc coated steel in 24 and 22 Ga.

STANDARD EXTERIOR • Full-Strength 70% PVDF Fluoropolymer Coating or Siliconized Polyester Coating

FINISHES & COLORS • Please see reverse side for all available colors. Please inquire where order minimums apply.

FASTENING • Concealed fastening system

NUWALL® METAL PANEL COLORS

PANEL NAME		NUWALL® PANEL	
AVAILABLE GAUGES		24 GA.	22 GA.
Standard II	Brownstone	•	OM
	Almond	•	OM
Premium I	Harbor Blue	•	OM
	Pacific Blue	•	OM
	Colonial Red	•	OM
	Brite Red	•	OM
	Slate Gray	•	OM
	Tundra	•	OM
	Snow White	•	•
	Natural Patina	•	OM
	Spruce	•	OM
	Hunter Green	•	OM
	Classic Green	•	OM
	Medium Bronze	•	OM
Premium II Metallic	Copper Metallic	•	OM
	Silver Metallic	•	OM
Standard SP	Light Stone	•	OM
Premium SP	Hawaiian Blue	•	OM
	Fern Green	•	OM
	Burnished Slate	•	OM
	Koko Brown	•	OM
	Charcoal Gray	•	OM
	Rustic Red	•	OM
	Solar White	•	OM

• = Available with no order minimums required

OM = Available with order minimums

Standard II, Premium I & Premium II Metallic: Full-Strength 70% PVDF Fluoropolymer Coating

Standard SP & Premium SP: Siliconized Polyester Coating

Descriptions and specifications contained herein were in effect at the time this publication was approved for printing. In a continuing effort to refine and improve products, Metl-Span reserves the right to discontinue products at any time or change specifications and/or designs without incurring obligation. To ensure you have the latest information available, please inquire or visit our website at metlspan.com.