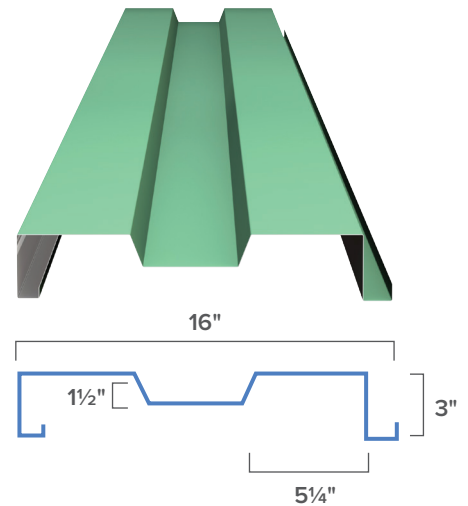




SHADOWRIB™

CONCEALED FASTENER SINGLE-SKIN METAL PANELS

The ShadowRib™ Panel is a proven performer and versatile tool for designers. The panel has superior structural strength that does not sacrifice aesthetics or design flexibility. The deep flutes featured on this panel create distinctive shadow lines on your structure. The ShadowRib™ Panel may be secured to your structure from the outside of the building with concealed clips, or from the inside of the building with an expansion fastener—both methods create a secure interlock between the panel and structure.



PRODUCT SPECIFICATIONS

PROFILE • 3" deep panel with 1/2" deep by 5 1/4" wide fluting

WIDTH • 16"

LENGTH • 5'-0" to 40'-0"

EXTERIOR FACE • AZ-50 aluminum-zinc coated steel in 24 and 22 Ga.

STANDARD EXTERIOR • Full-Strength 70% PVDF Fluoropolymer Coating or Siliconized Polyester Coating

FINISHES & COLORS • Please see reverse side for all available colors. Please inquire where order minimums apply.

FASTENING • Concealed fastening system

SHADOWRIB™ METAL PANEL COLORS

PANEL NAME		SHADOWRIB™ PANEL	
AVAILABLE GAUGES		24 GA.	22 GA.
Standard II	Brownstone	•	CF
	Almond	•	CF
Premium I	Harbor Blue	•	CF
	Pacific Blue	•	CF
	Colonial Red	•	CF
	Brite Red	•	CF
	Slate Gray	•	CF
	Tundra	•	CF
	Snow White	•	CF
	Natural Patina	•	CF
	Spruce	•	CF
	Hunter Green	•	CF
	Classic Green	•	CF
	Medium Bronze	•	CF
Premium II Metallic	Copper Metallic	•	CF
	Silver Metallic	•	CF
Standard SP	Light Stone	•	CF
Premium SP	Hawaiian Blue	•	CF
	Fern Green	•	CF
	Burnished Slate	•	CF
	Koko Brown	•	CF
	Charcoal Gray	•	CF
	Rustic Red	•	CF
	Solar White	•	CF

• = Available with no order minimums required

CF = Contact factory for availability

Standard II, Premium I & Premium II Metallic: Full-Strength 70% PVDF Fluoropolymer Coating

Standard SP & Premium SP: Siliconized Polyester Coating

Descriptions and specifications contained herein were in effect at the time this publication was approved for printing. In a continuing effort to refine and improve products, Metl-Span reserves the right to discontinue products at any time or change specifications and/or designs without incurring obligation. To ensure you have the latest information available, please inquire or visit our website at metlspan.com.