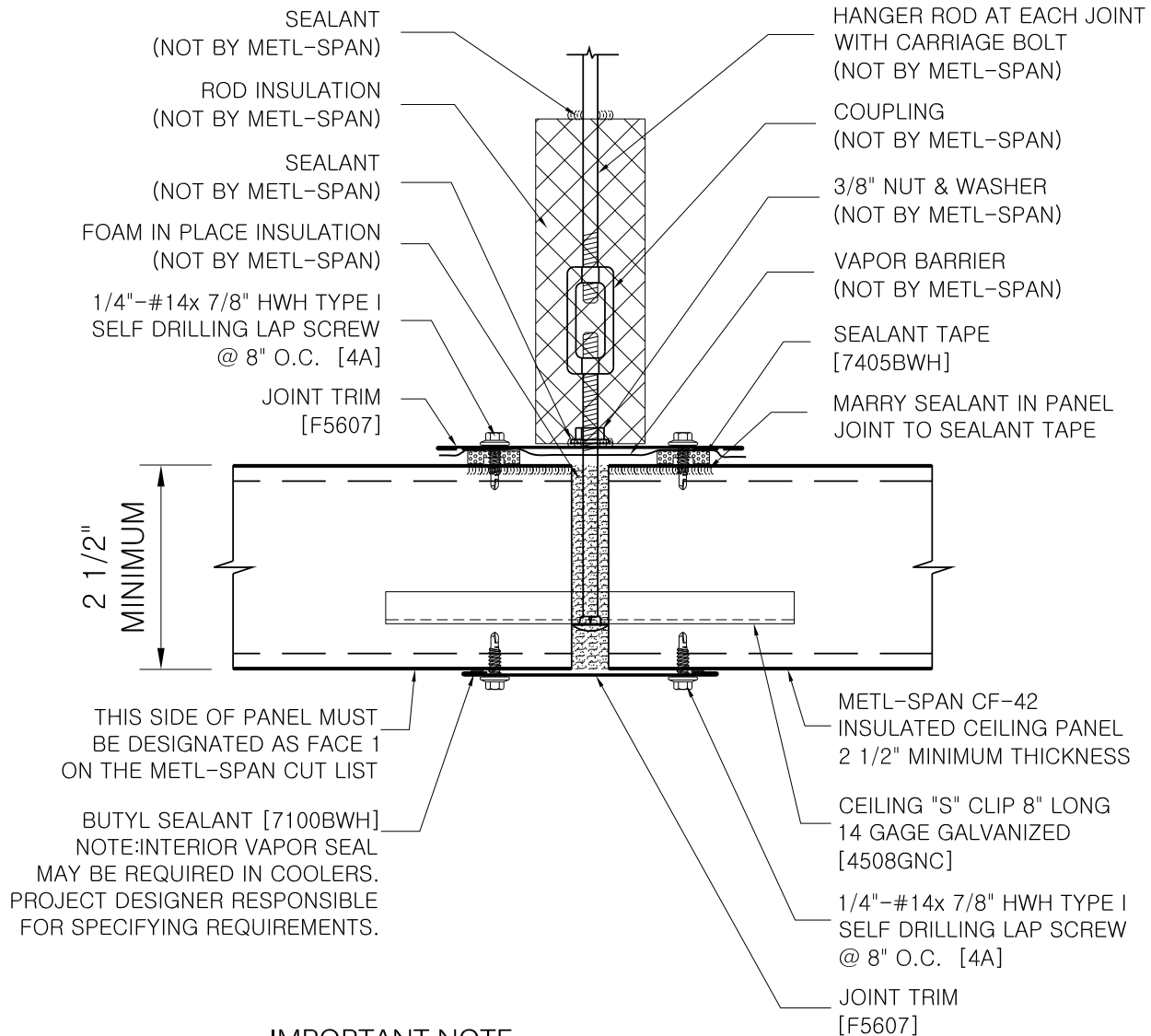


(SPACE ABOVE CEILING MUST BE VENTILATED.)



**IMPORTANT NOTE**

THIS DETAIL MUST BE USED WITH DETAIL CS-CG-11 INTERMEDIATE ATTACHMENT IS REQUIRED.

★ THIS DETAIL IS ONLY VALID WITH MAXIMUM 42" WIDE PANELS AND A MINIMUM THICKNESS OF 2 1/2".

NOTE: BRACING OF ROD MAY BE REQUIRED. DESIGNED AND SUPPLIED BY OTHERS.

NOTE: ALL CEILING SUPPORT COMPONENTS AND PANELS MUST BE INSTALLED COMPLETE PRIOR TO ALLOWING ANY TRAFFIC ON CEILING.

NOTE: REFER TO SHEET "CS-INFO" FOR ADDITIONAL INFORMATION REGARDING THE APPLICATION OF SEALANTS, FASTENERS AND CLOSURE MATERIALS. CONSULT METL-SPAN TO DETERMINE ALLOWABLE LOAD AND SPACING OF ATTACHMENT.