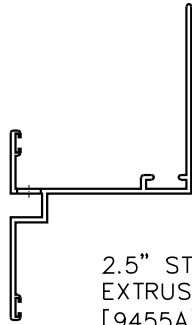
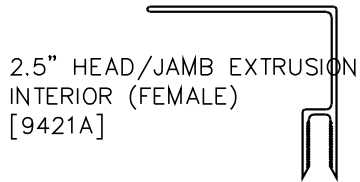


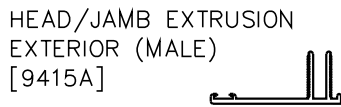
2.5" BASE
EXTRUSION
[9406A]



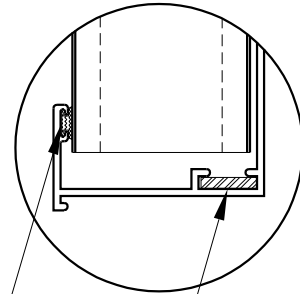
2.5" STACK JOINT
EXTRUSION
[9455A]



2.5" HEAD/JAMB EXTRUSION
INTERIOR (FEMALE)
[9421A]

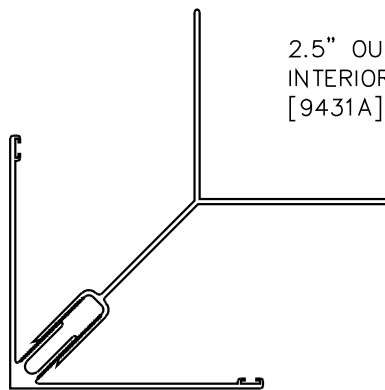


HEAD/JAMB EXTRUSION
EXTERIOR (MALE)
[9415A]



WIPER GASKET
[7800VGR]

EXTRUDED ALUMINUM
SPLICE BAR
[9495A]



2.5" OUTSIDE CORNER
INTERIOR (FEMALE)
[9431A]

OUTSIDE CORNER
EXTERIOR (MALE)
[9425A]