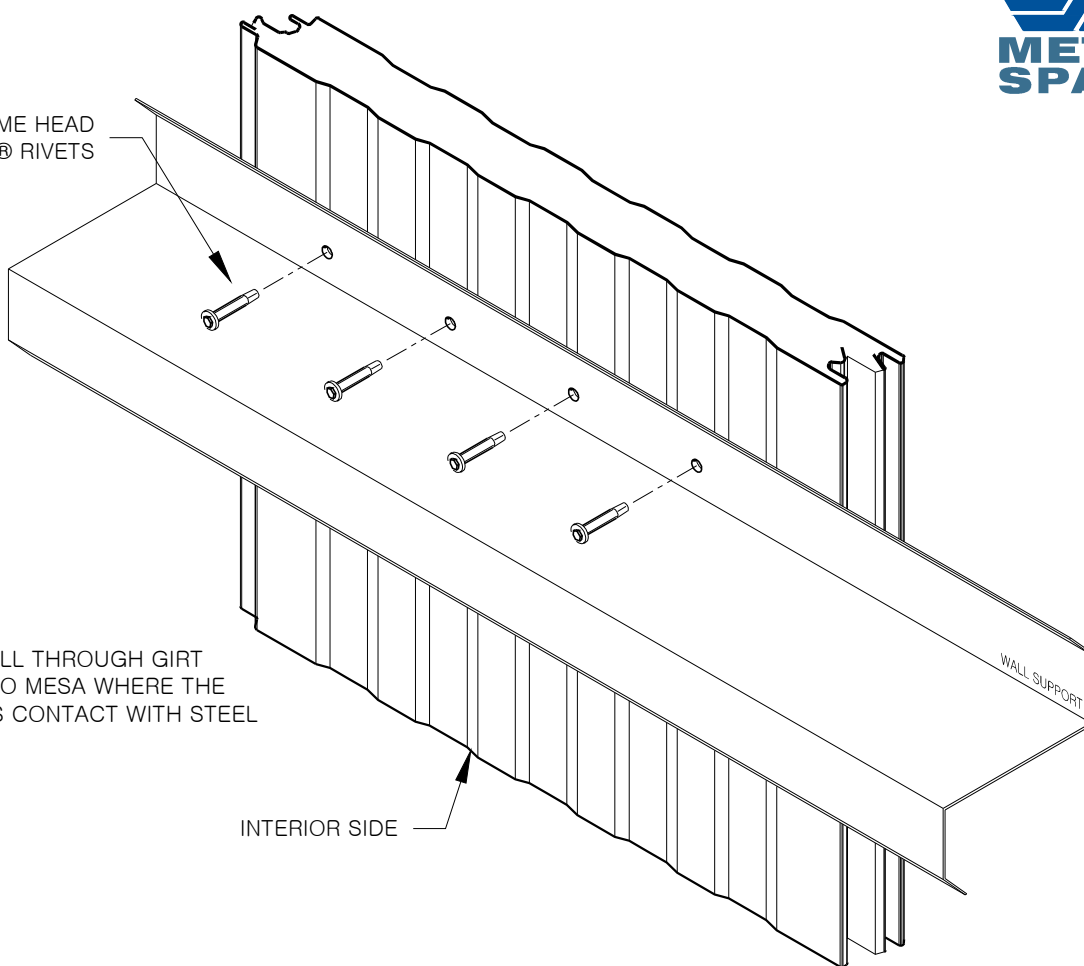




DOME HEAD
BULB-TITE® RIVETS



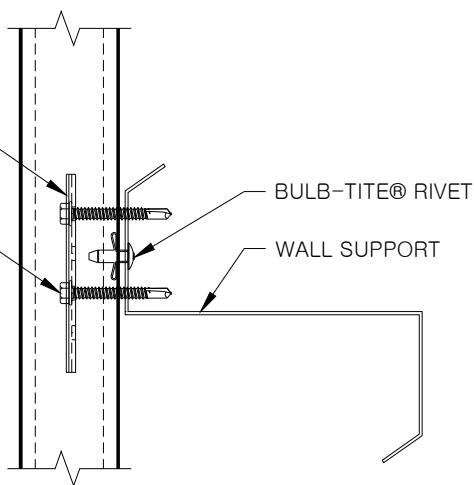
* INSTALL THROUGH GIRT
FLANGE INTO MESA WHERE THE
SKIN MAKES CONTACT WITH STEEL

INTERIOR SIDE

WALL SUPPORT

14 GA. CLIP

1/4" HWH
FASTENERS



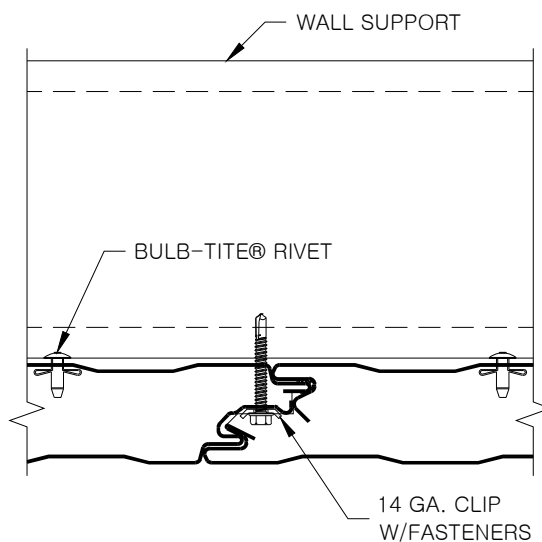
BULB-TITE® RIVET

WALL SUPPORT

WALL SUPPORT

BULB-TITE® RIVET

14 GA. CLIP
W/FASTENERS



COMMERCIAL &
INDUSTRIAL

ATTACHMENT - BACK FASTENED
W/ RIVETS

© 2016 Metl-Scan, an NCI Building Systems company. All rights reserved.

CI-CF-FSTN-01D

DATE: Nov. 9, 2016