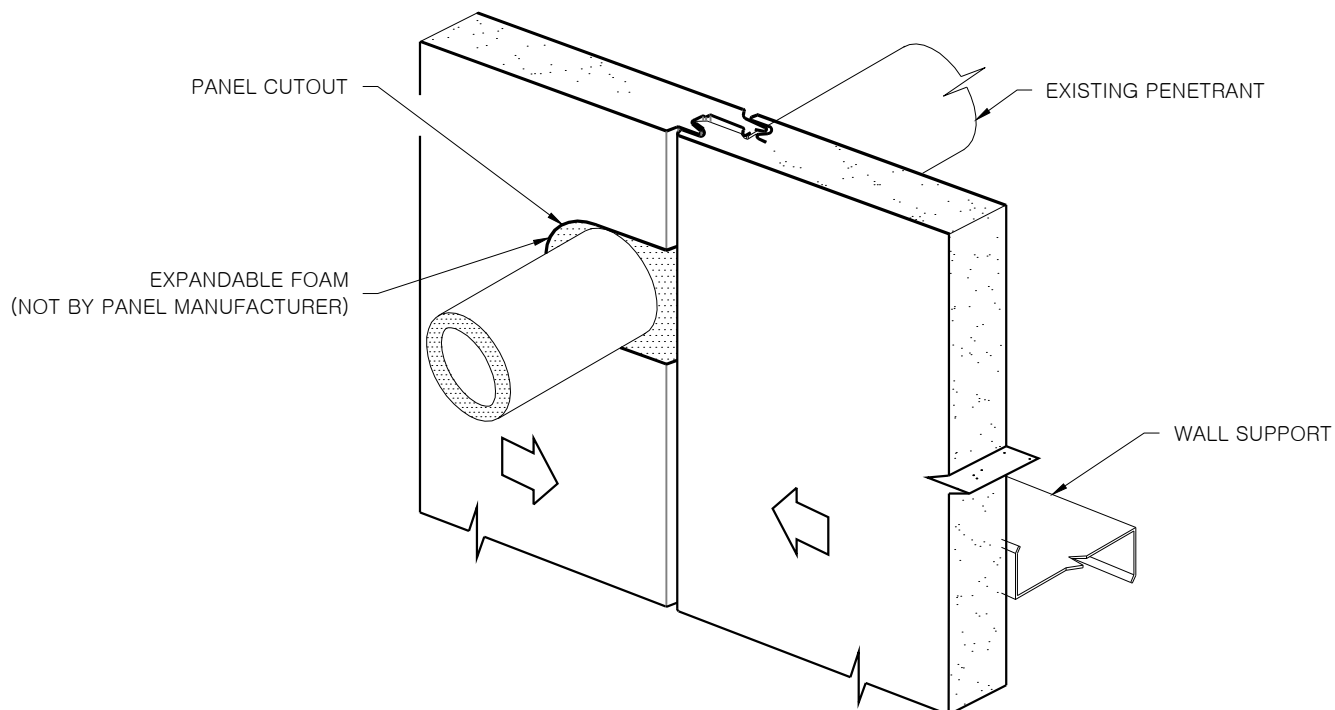


EXISTING PENETRANT IN NEW WALL



SEE DETAIL CI-CF-PEN-4 FOR SEALANT LOCATIONS  
SEE DETAIL CI-CF-PEN-5 FOR FLASHING INFORMATION