



DEPARTMENT OF REGULATORY AND ECONOMIC RESOURCES (RER)
BOARD AND CODE ADMINISTRATION DIVISION

PRODUCT CONTROL SECTION
11805 SW 26 Street, Room 208
Miami, Florida 33175-2474
T (786) 315-2590 F (786) 315-2599

NOTICE OF ACCEPTANCE (NOA)

www.miamidade.gov/economy

Metl-Span, a Division of NCI Group, Inc.
1720 Lakepointe Drive, Suite 101
Lewisville, Texas 75057

SCOPE:

This NOA is being issued under the applicable rules and regulations governing the use of construction materials. The documentation submitted has been reviewed and accepted by Miami-Dade County RER- Product Control Section to be used in Miami Dade County and other areas where allowed by the Authority Having Jurisdiction (AHJ).

This NOA shall not be valid after the expiration date stated below. The Miami-Dade County Product Control Section (In Miami Dade County) and/or the AHJ (in areas other than Miami Dade County) reserve the right to have this product or material tested for quality assurance purposes. If this product or material fails to perform in the accepted manner, the manufacturer will incur the expense of such testing and the AHJ may immediately revoke, modify, or suspend the use of such product or material within their jurisdiction. RER reserves the right to revoke this acceptance, if it is determined by Miami-Dade County Product Control Section that this product or material fails to meet the requirements of the applicable building code.

This product is approved as described herein, and has been designed to comply with the High Velocity Hurricane Zone of the Florida Building Code.

DESCRIPTION: CF Vertical and Horizontal Wall Panel

APPROVAL DOCUMENT: Drawing No. C1961, titled "CF Vertical & Horizontal Panels", sheets 1 through 3 of 3, prepared by Bala Sockalingam, P.E., dated October 14, 2014, signed and sealed by Bala Sockalingam, P.E., on August 04, 2015, bearing the Miami-Dade County Product Control Approval stamp with the Notice of Acceptance number and the approval date by the Miami-Dade County Product Control Section.

MISSILE IMPACT RATING: Large and Small Missile Impact Resistant

LABELING: Each panel shall bear a permanent label with the manufacturer's name or logo, Lewisville, TX, Prince George and Colonial Heights, VA, North Las Vegas, NV, Shelbyville, IN, Mattoon, IL, Jackson, MS and the following statement: "Miami-Dade County Product Control Approved", unless otherwise noted herein.

RENEWAL of this NOA shall be considered after a renewal application has been filed and there has been no change in the applicable building code negatively affecting the performance of this product.

TERMINATION of this NOA will occur after the expiration date or if there has been a revision or change in the materials, use, and/or manufacture of the product or process. Misuse of this NOA as an endorsement of any product, for sales, advertising or any other purposes shall automatically terminate this NOA. Failure to comply with any section of this NOA shall be cause for termination and removal of NOA.

ADVERTISEMENT: The NOA number preceded by the words Miami-Dade County, Florida, and followed by the expiration date may be displayed in advertising literature. If any portion of the NOA is displayed, then it shall be done in its entirety.

INSPECTION: A copy of this entire NOA shall be provided to the user by the manufacturer or its distributors and shall be available for inspection at the job site at the request of the Building Official.

This NOA consists of this page 1, evidence submitted page E-1 as well as approval document mentioned above. The submitted documentation was reviewed by Helmy A. Makar, P.E., M.S.



Helmy A. Makar
09/10/2015

NOA No. 14-1112.03
Expiration Date: 09/10/2020
Approval Date: 09/10/2015

Metl-Span, a Division of NCI Group, Inc.

NOTICE OF ACCEPTANCE: EVIDENCE SUBMITTED

A. DRAWINGS

1. *Drawing No. C1961, titled "CF Vertical & Horizontal Panels", sheets 1 through 3 of 3, prepared by Bala Sockalingam, P.E., dated October 14, 2014, signed and sealed by Bala Sockalingam, P.E., on August 04, 2015.*

B. TESTS

1. *Test report on Large Missile Impact Test per TAS 201, Cyclic Wind Pressure Test per TAS 203, and Uniform Static Air Pressure Test per TAS 202 on CF 36 and 24 interlocking insulated metal Wall Panel System, prepared by Intertek Architectural Testing, Report No. D9038.01-801-18, dated September 08, 2014, signed and sealed by Shawn G. Collins, P.E.*
2. *UL File R9865, dated June 08, 2011, Revised March 19, 2012 Report on Foamed Plastic, reviewed by James F. Smith.*

C. CALCULATIONS

1. *Calculations titled "Metl-Span CF-36, 30, 24, 18, & 12 Wall Panel System", dated October 16, 2014, pages 1 through 14 of 14, prepared by Bala Sockalingam, P.E., signed and sealed by Bala Sockalingam, P.E., on October 16, 2014.*

D. QUALITY ASSURANCE

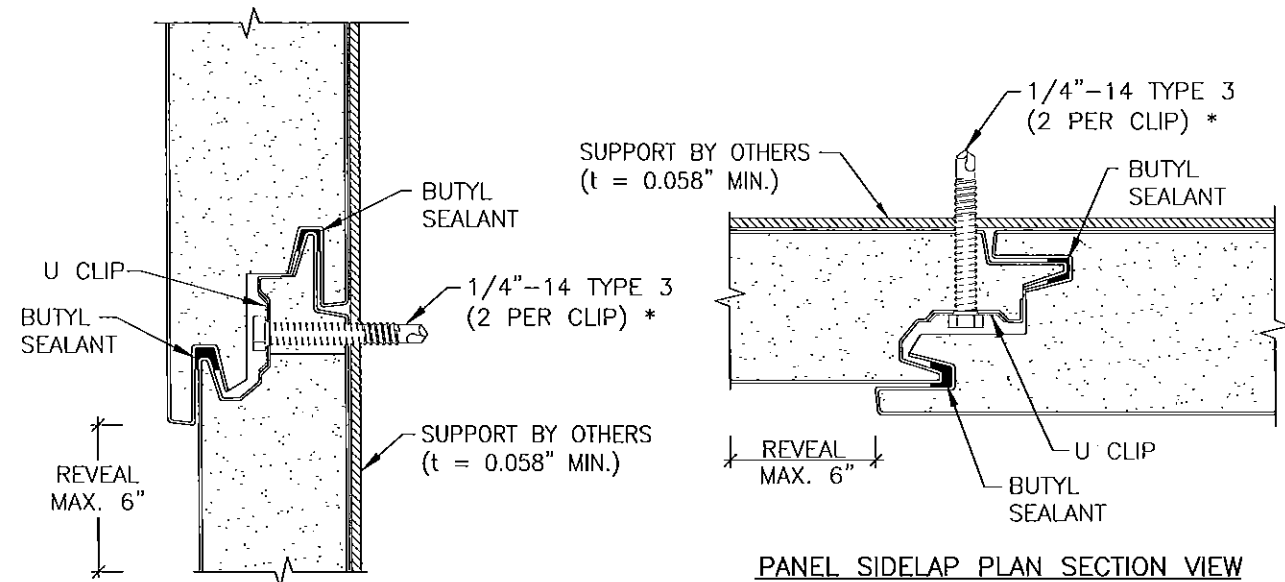
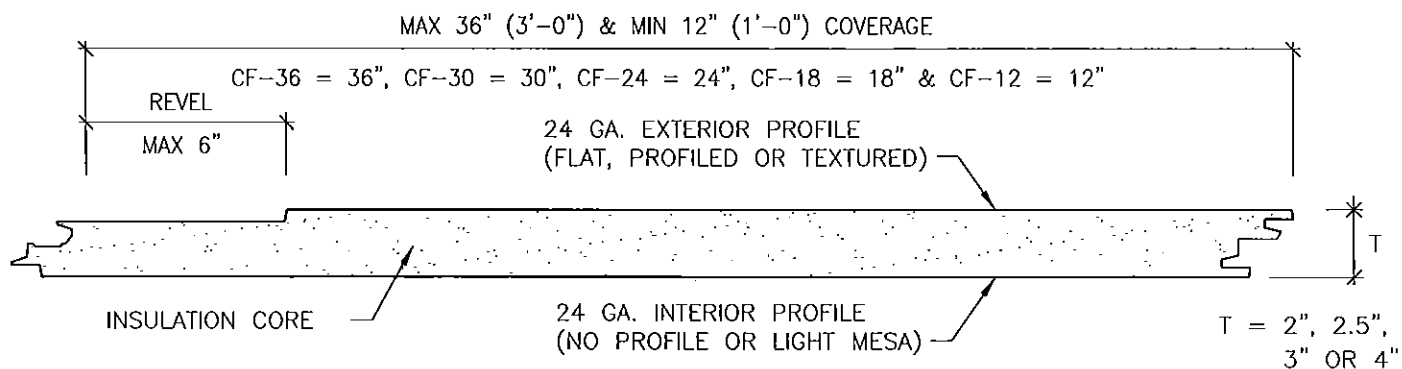
1. *By Miami-Dade County Department of Regulatory and Economic Resources.*

E. MATERIAL CERTIFICATIONS

1. *Tensile Test per ASTM E 8, Report No. D9038.01-801-18, prepared by Architectural Testing dated September 08, 2014, signed and sealed by Shawn G. Collins, P.E.*



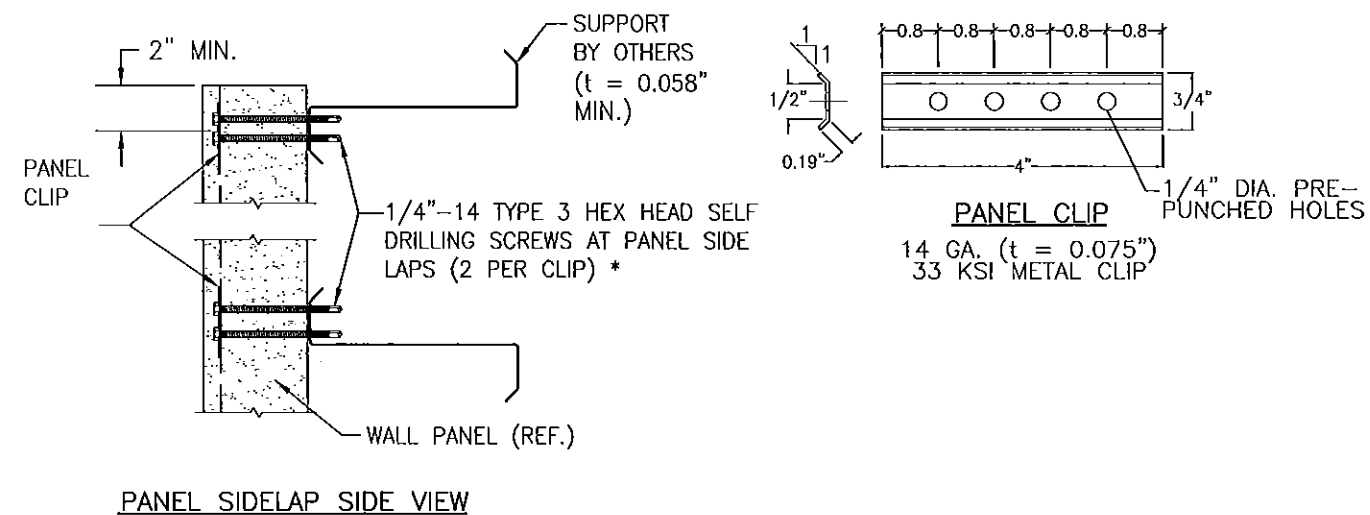
Helmy A. Makar, P.E., M.S.
Product Control Section Supervisor
NOA No. 14-1112.03
Expiration Date: 09/10/2020
Approval Date: 09/10/2015



PANEL SIDELAP ELEVATION SECTION VIEW FOR HORIZONTAL ORIENTATION

PANEL SIDELAP PLAN SECTION VIEW FOR VERTICAL ORIENTATION

* IN LIEU OF 1/4"-14 TYPE 3, #14 TYPE A, B OR AB 304 STAINLESS SELF TAPPING SCREWS MAY BE USED. IN LIEU OF ABOVE FASTENERS, #12-24 TYPE 5 SDS MAY BE USED FOR SUPPORTS THICKER THAN 0.100".



PANEL SIDELAP SIDE VIEW

PANEL CLIP
14 GA. (t = 0.075")
33 KSI METAL CLIP

GENERAL NOTES:

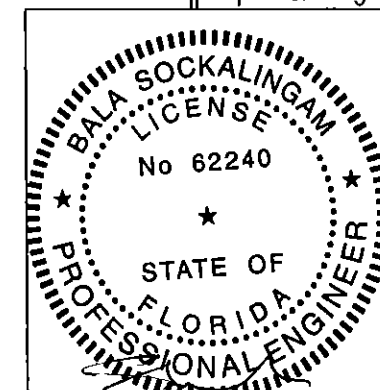
1. THIS STRUCTURAL WALL PANEL SYSTEM HAS BEEN DESIGNED IN ACCORDANCE WITH HVHZ 2014 FLORIDA BUILDING CODE (FBC). THE DESIGN PRESSURES AS DETERMINED FROM SECTION 1620 AND ASCE 7-10 MUST BE MULTIPLIED BY 0.6.
2. WALL PANELS ARE MAX 36" WIDE, CONSIST OF EXTERIOR & INTERIOR 24 GA. (t = 0.024" MIN.) G-90 CLAD STEEL SKINS (Fy = MIN. 50 KSI) COATED WITH AN EMBOSSED & PAINTED OR TUFF (STUCCO-LIKE) FINISH & ARE FOAM FILLED WITH FOAMED-IN-PLACE NON-CFC MINIMUM 2.0 LB/CU. FT. DENSITY POLYURETHANE.
3. WALL PANELS SHALL BE INSTALLED OVER WALL STRUCTURE AS SPECIFIED ON THESE DRAWINGS.
4. WALL PANELS MUST BE INSTALLED OVER MIN. 2 SUPPORT SPANS. HORIZONTAL OR VERTICAL SEAMS MAY BE PRESENT AT CENTERLINE OF SUPPORTS PROVIDING THE SEAMS ARE FLASHED & PROPERLY SEALED PER METL-SPAN SPECIFICATIONS AND EACH PANEL END IS SECURED PER THESE DRAWINGS.
5. REQUIRED DESIGN WIND LOADS SHALL BE DETERMINED FOR EACH PROJECT. THIS PANEL SYSTEM MAY NOT BE INSTALLED WHEN THE REQUIRED DESIGN WIND LOADS ARE GREATER THAN THE ALLOWABLE WIND LOADS SPECIFIED ON THIS DRAWING.
7. THIS WALL PANEL SYSTEM HAS BEEN TESTED AS AN IMPACT SYSTEM IN ACCORDANCE WITH PROTOCOLS TAS-201, 202 & 203.
8. WALL PANEL MANUFACTURER'S PERMANENT LABEL SHALL BE PLACED AT THE END OF EACH PANEL RUN AND SHALL READ: METL-SPAN, A DIVISION OF NCI GROUP, INC. LEWISVILLE, TEXAS DADE COUNTY PRODUCT CONTROL APPROVED
9. ALL SCREWS SHALL BE CORROSION RESISTANT SELF DRILLING OR TAPPING SCREWS.
10. THE SUPPORTING STRUCTURE, OVER WHICH THE PANELS ARE TO BE INSTALLED, MUST BE MINIMUM 16 GAGE (MIN. 0.058") STEEL WITH MIN. Fy = 50 KSI.
11. THESE WALL PANELS SHALL NOT BE CONSIDERED TO OR BE USED FOR TRANSFER OF DIAPHRAGM ACTION OF WALL TO SUPPORTING STRUCTURE.

ALLOWABLE INWARD & OUTWARD PRESSURE (PSF) FOR TWO OR MORE SPANS

SPAN (IN)	SUPPORT THICKNESS 14 GA. (0.072") OR GREATER			SUPPORT THICKNESS 16 GA. (0.058")		
	CF-36	CF-30	CF-24,-18 OR -12	CF-36	CF-30	CF-24,-18 OR -12
72	33.9	40.7	50.9	26.1	31.3	39.1
69	35.4	42.5	53.1	27.2	32.6	40.8
66	37.0	44.4	55.5	28.4	34.1	42.7
63	38.8	46.5	58.2	29.8	35.8	44.7
60	40.7	48.8	61.1	31.3	37.5	46.9
57	42.8	51.4	64.3	32.9	39.5	49.4
54	45.2	54.3	67.8	34.8	41.7	52.1
51	47.9	57.5	71.8	36.8	44.2	55.2
48	50.9	61.1	76.3	39.1	46.9	58.7
45	54.3	65.1	81.4	41.7	50.1	62.6
42	58.1	69.8	87.2	44.7	53.6	67.0
39	62.6	75.1	93.9	48.1	57.8	72.2
36	67.8	81.4	101.8	52.1	62.6	78.2
33	74.0	88.8	111.0	56.9	68.3	85.3
30	81.4	97.7	122.1	62.6	75.1	93.8
27	90.4	108.5	135.7	69.5	83.4	104.3
24	101.8	122.1	152.7	78.2	93.9	117.3

Approved as complying with the Florida Building Code
Date 09/10/2015
NOAH 12-112.03
Miami Dade Product Control

By *[Signature]*



8.4.2015

CHECKED BY: R.H. DATE: 10/14/14

DATE

BY

REVISION DESCRIPTION

NO.

DRAWING TITLE: CF VERTICAL & HORIZONTAL PANELS

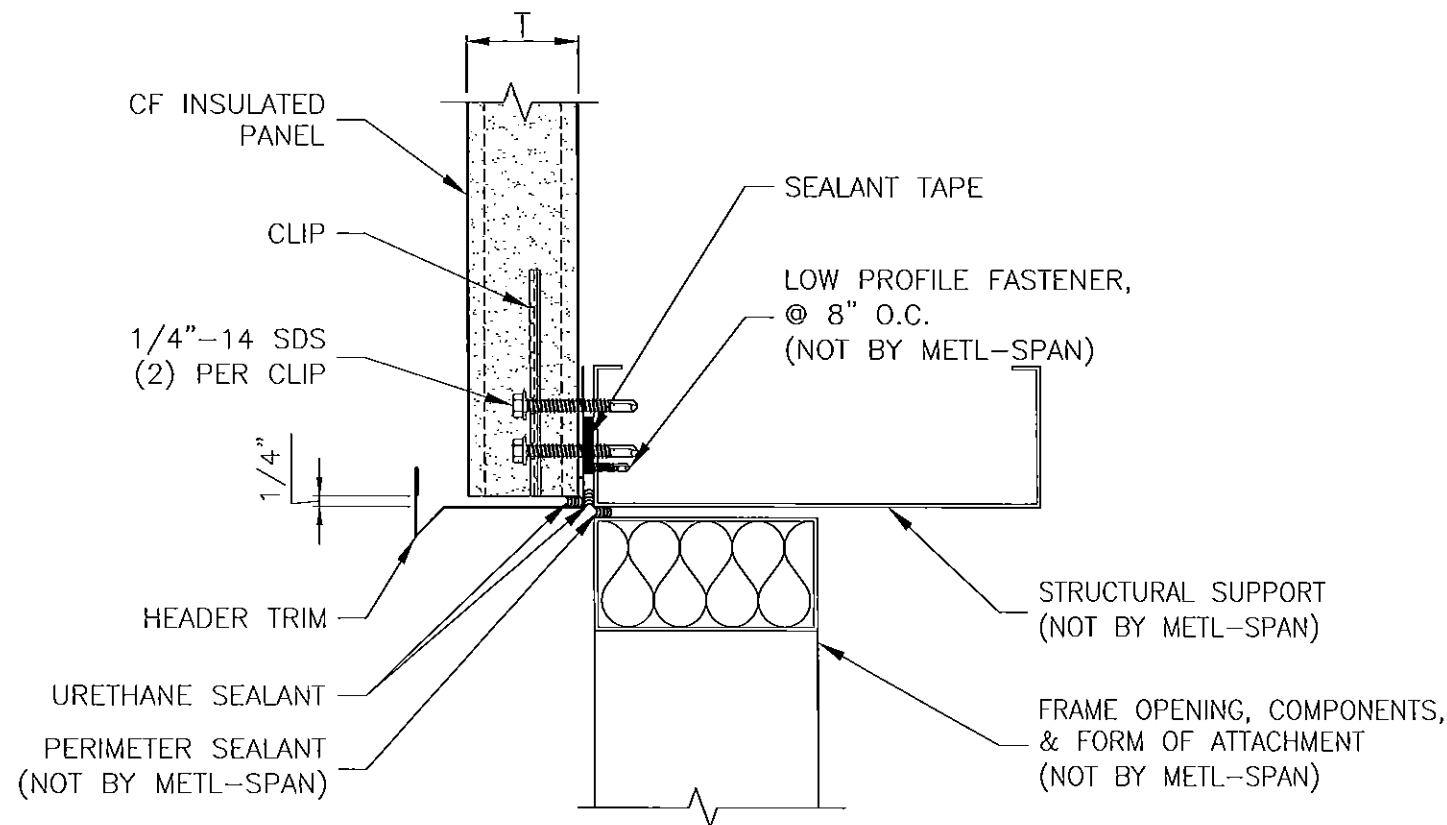
CONSULTANTS: BALA SOCKALINGAM, PH.D., P.E.

MANUFACTURER: METL-SPAN, A DIVISION OF NCI GROUP, INC.

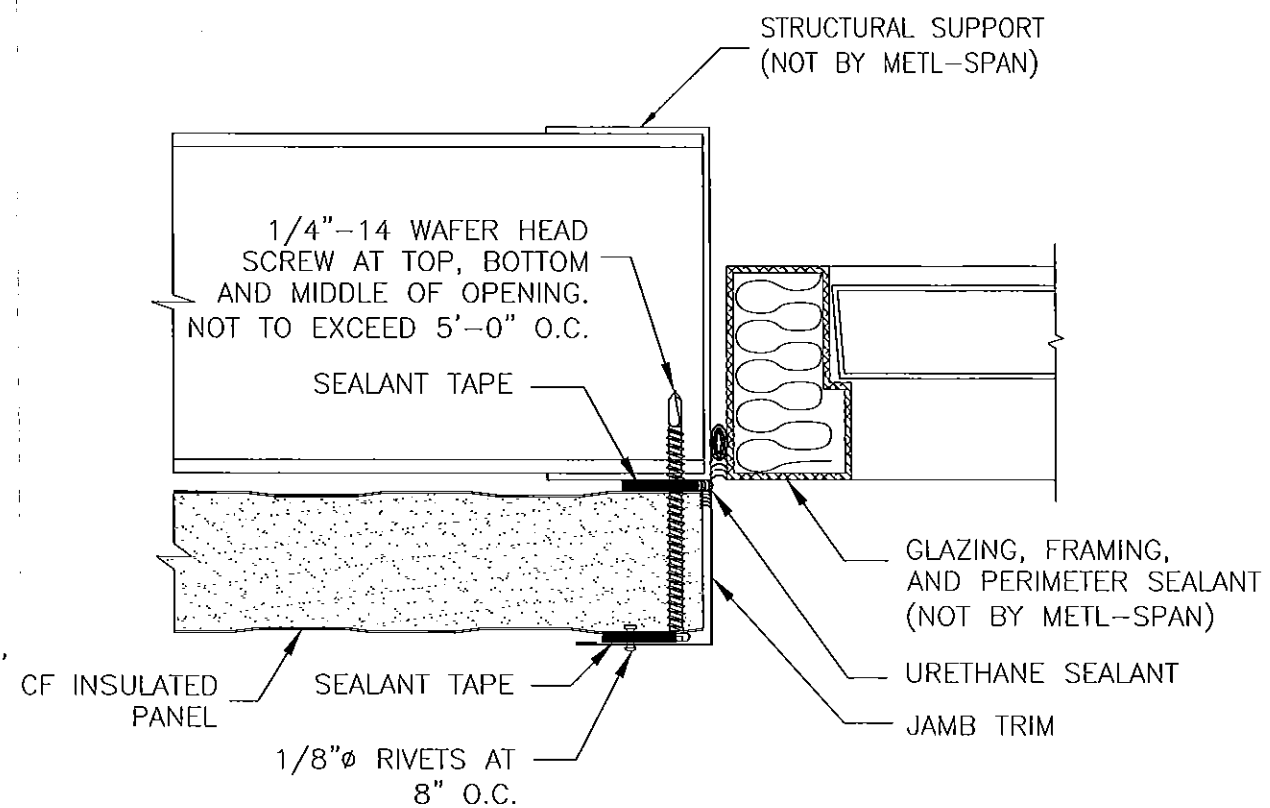
1216 N LANSING AVE, SUITE C TULSA, OK 74106
PHONE: 918-492-5992 FAX: 866-366-1543

DRAWING NO. C1961 REV. A

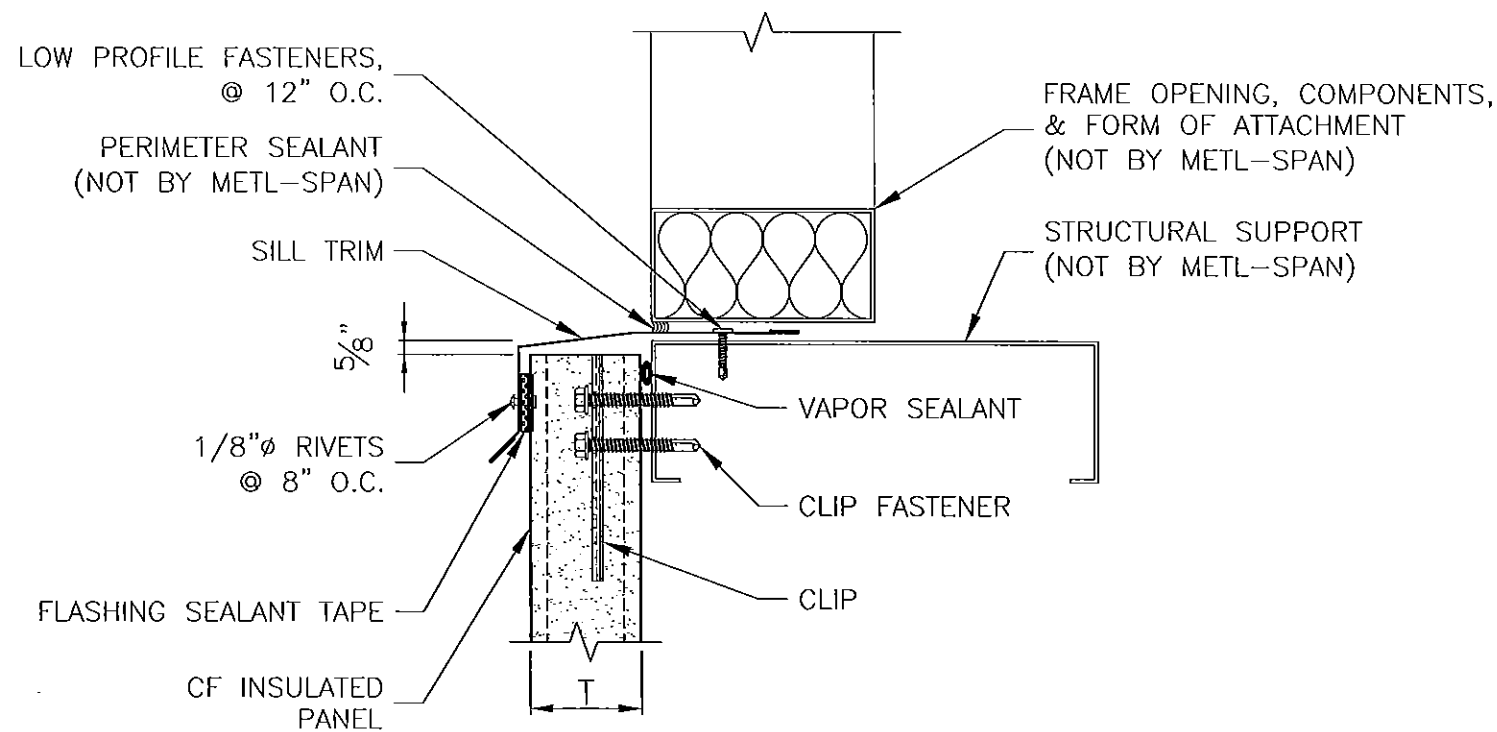
SHEET NO. 1 OF 3



TYPICAL HEADER DETAIL



TYPICAL JAMB DETAIL



TYPICAL SILL DETAIL

DETAILS SHOWN FOR CF PANEL
IN VERTICAL ORIENTATION

CHECKED BY:	DATE:
R.H.	10/14/14
BY	DATE
REVISION DESCRIPTION	
NO.	

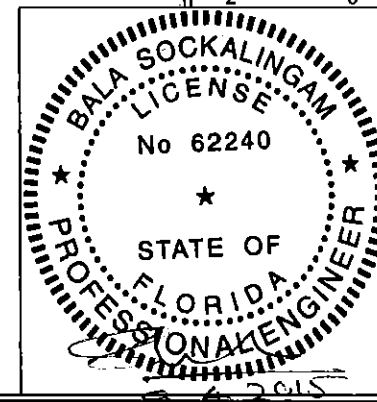
DRAWING TITLE: CF VERTICAL & HORIZONTAL WALL PANELS

CONSULTANTS: METL-SPAN, A DIVISION OF NCI GROUP, INC.
1720 LAKEPOINTE DRIVE, SUITE 101
LEWISVILLE, TX 75057
972-221-6656

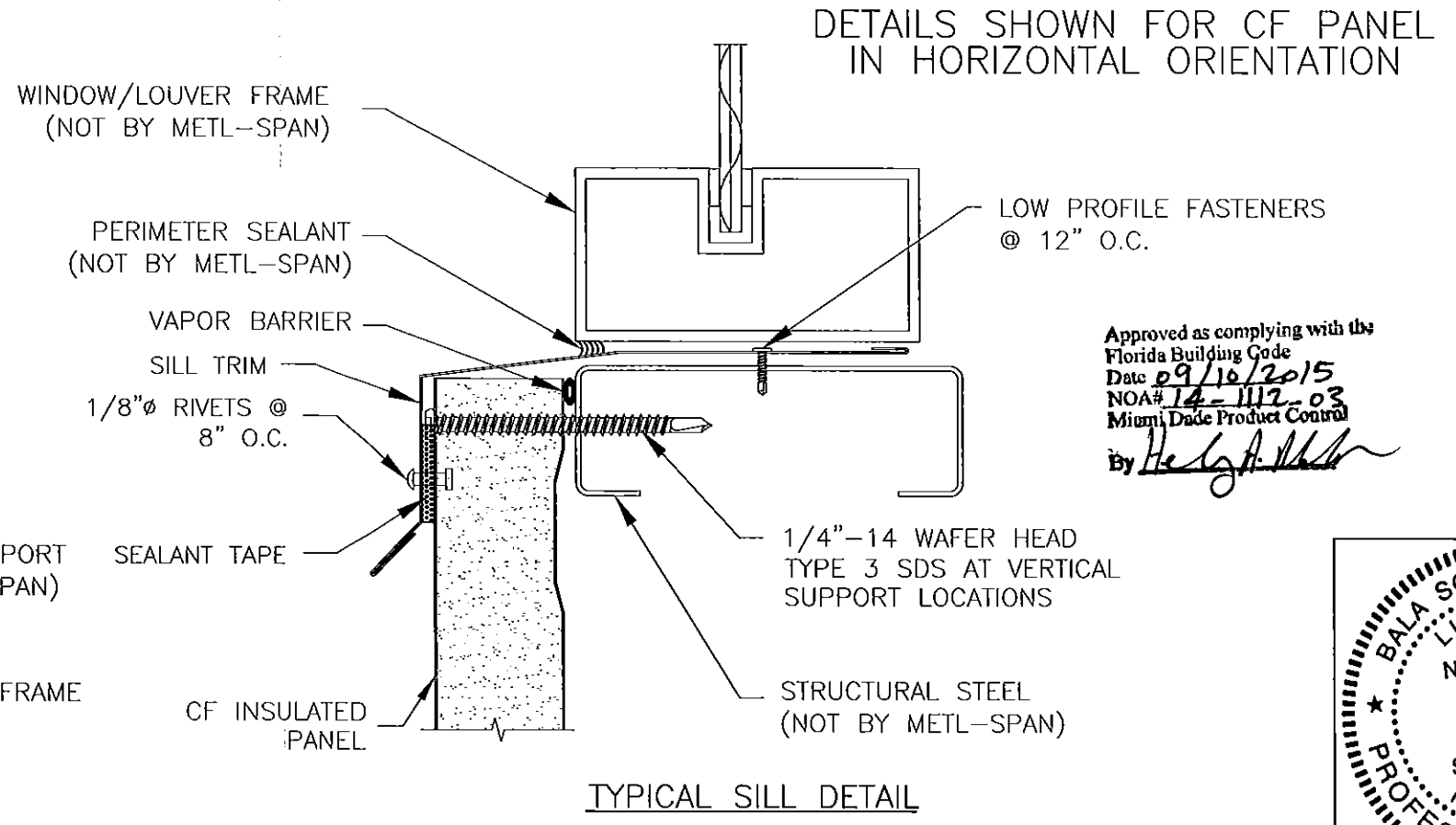
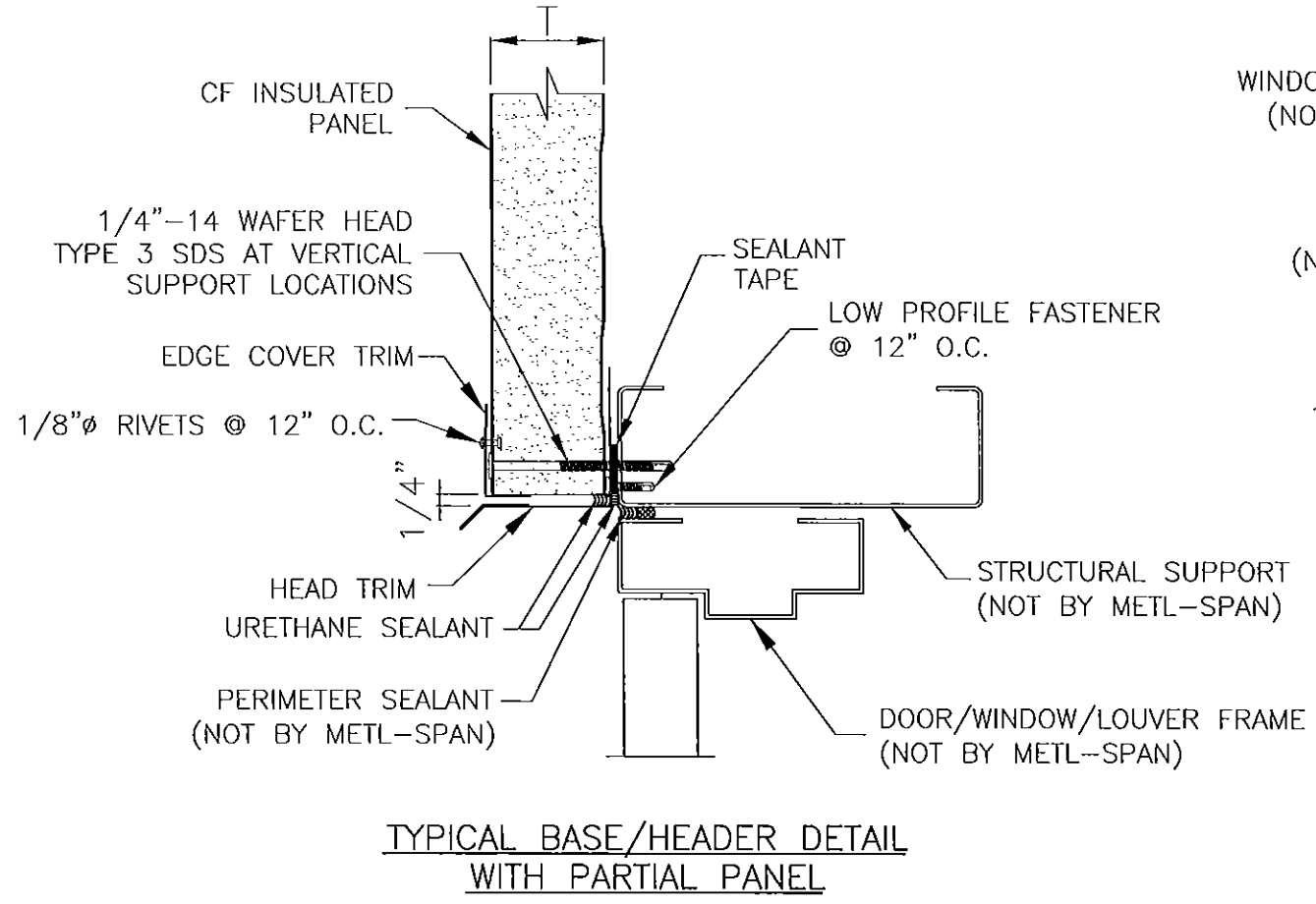
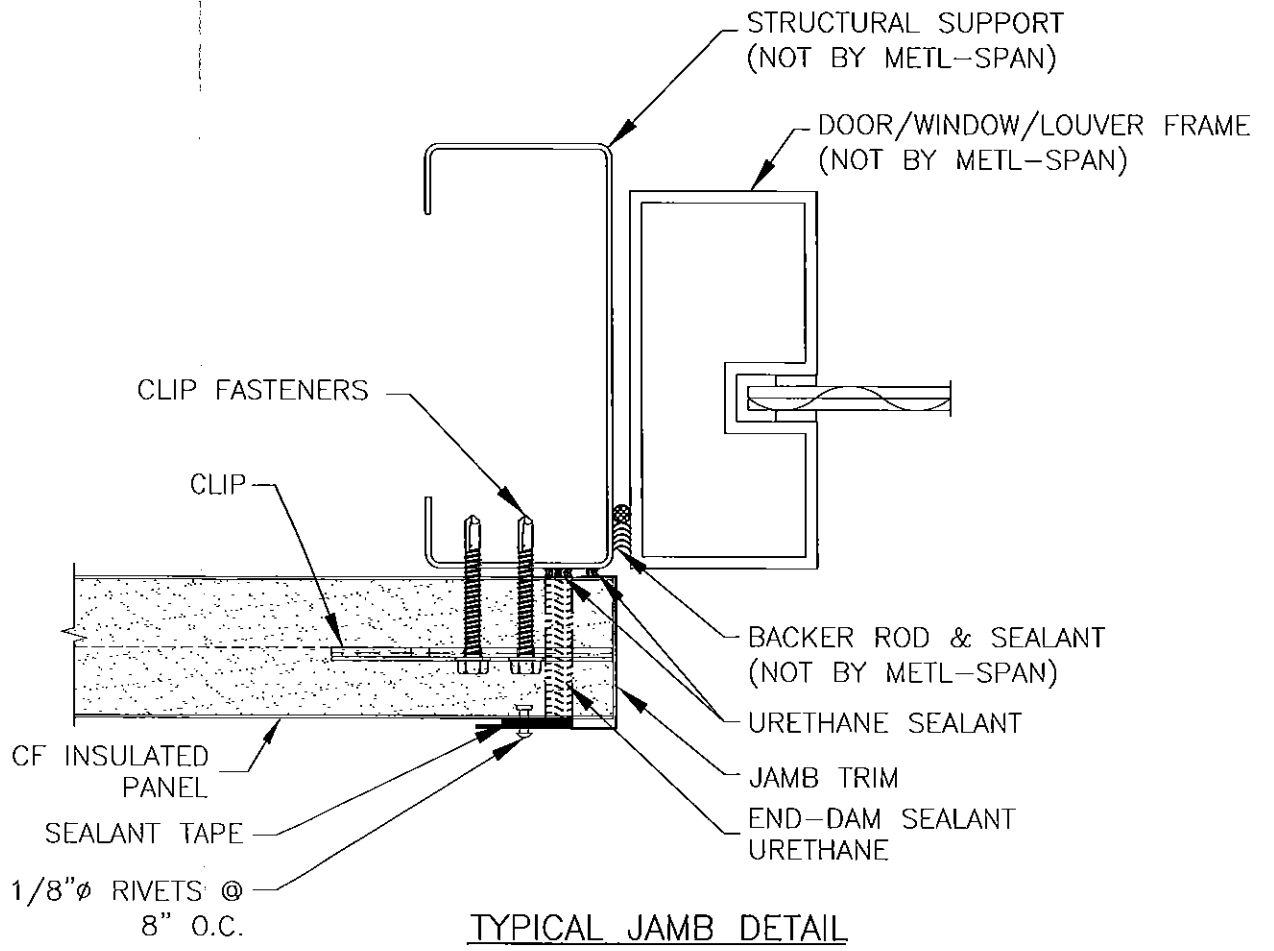
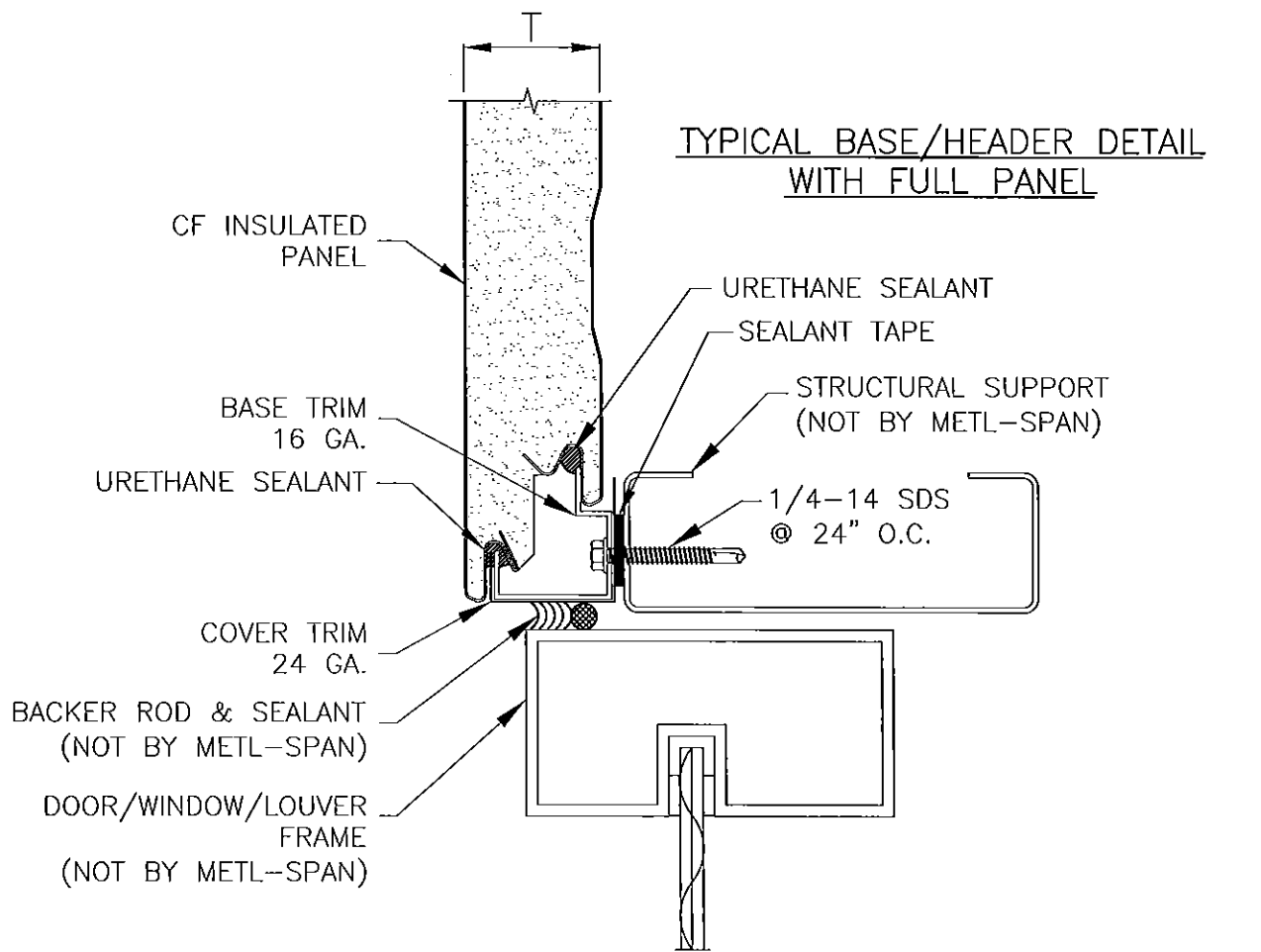
MANUFACTURER: BALA SOCKALINGAM, PH.D., P.E.
1216 N LANSING AVE, SUITE C
TULSA, OK 74106
PHONE: 918-492-5992 FAX: 866-366-1543

DRAWING NO.	REV.
C1961	A
SHEET NO.	
2	OF 3

Approved as complying with the
Florida Building Code
Date 09/10/2015
NOA# 14-1112.03
Miami Dade Product Control
By *[Signature]*



8.4.2015



DETAILS SHOWN FOR CF PANEL IN HORIZONTAL ORIENTATION

Approved as complying with the Florida Building Code
 Date 09/10/2015
 NOA# 14-1112-03
 Miami Dade Product Control
 By *Healy*

CHECKED BY: R.H.	DATE: 10/14/14
NO.	REVISION DESCRIPTION

DRAWING TITLE: CF VERTICAL & HORIZONTAL WALL PANELS

CONSULTANTS: BALA SOCKALINGAM, PH.D., P.E.

MANUFACTURER: METL-SPAN, A DIVISION OF NCI GROUP, INC.
 1720 LAKEPOINTE DRIVE, SUITE 101
 LEWISVILLE, TX 75057
 972-221-6656

1216 N LANSING AVE, SUITE C
 TULSA, OK 74106
 PHONE: 918-492-5992 FAX: 866-366-1543

DRAWING NO. C1961	REV. A
SHEET NO. 3	OF 3

