



HEF-T

ALUMINUM CEILING SUPPORT

The Metl-Span Hef-T aluminum ceiling support is an extruded aluminum T-shape that is suspended from roof-support members by hanger rods. The Hef-T aluminum support eliminates the time-consuming field routing of insulated ceiling panels and the use of splines, which make it difficult to level a ceiling. Hef-T is quick to install and is fully engineered to provide maximum support spacing.

Note: Hef-T is only sold in combination with Metl-Span panels for use in approved ceiling support applications

FEATURES

DESCRIPTION • 5" flange ($\frac{3}{16}$ " thick), 3" web ($\frac{1}{4}$ " thick") horizontal leg. Pre-drilled holes in the vertical leg are spaced at 6" on center for attachment to hanger rods. Pre-drilled holes in the horizontal flange are spaced at 12" on center on both sides of the vertical leg for attachment of panels

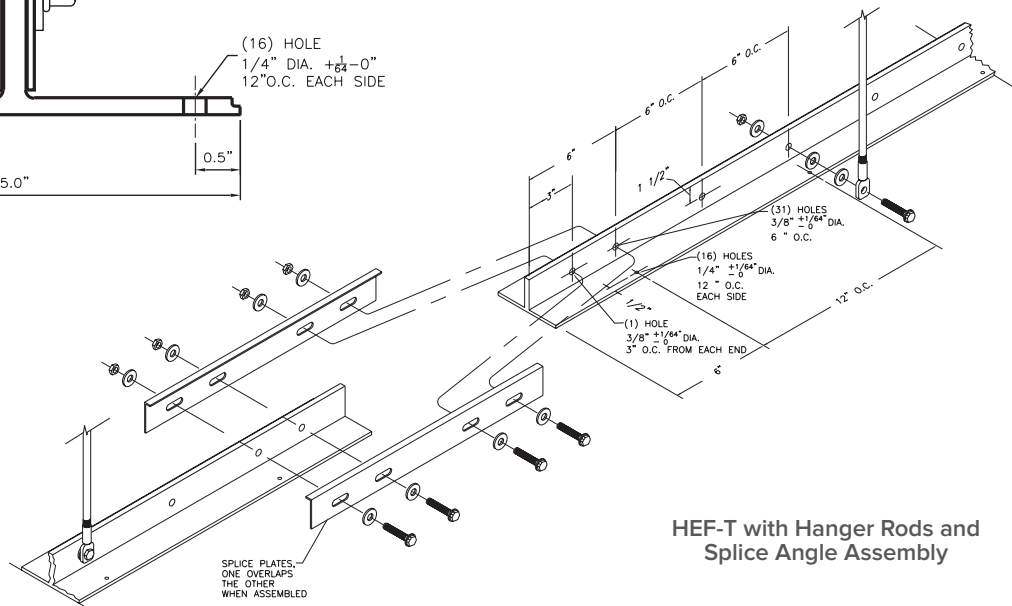
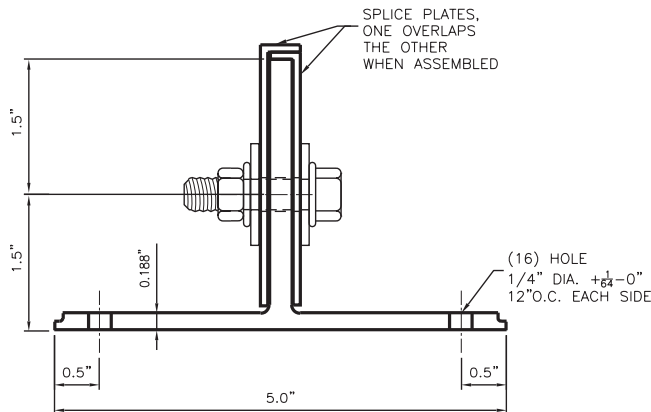
MATERIAL • Aluminum

LENGTH • 16'

FINISH • Painted White

SPLICE PLATES • Splice plates are supplied by Metl-Span in heavy brake-form steel to connect 16' sections of Hef-T together

FASTENING • Attachment to hanger rods is accomplished with a hanger rod connector, bolts and washers supplied by Metl-Span. Attachment of panels to the flange of the Hef-T is with tek screws or pop rivets.



HEF-T with Hanger Rods and Splice Angle Assembly

HEF-T¹ – ALUMINUM CEILING SUPPORT SYSTEM^{5,6}

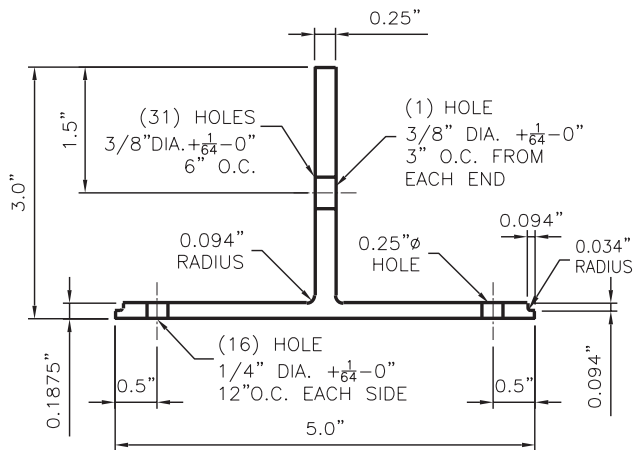
ALLOWABLE LIVE LOAD CHART^{3,4,7,8,9} (PSF)

PANEL THICKNESS	TEE SUPPORT SPAN ²	PANEL SPAN								
		8'	9'	10'	11'	12'	13'	14'	15'	16'
3"	4'	46.6	39.5	31.7	25.8	21.3	18.1	15.0	12.6	10.5
	5'	36.8	32.5	29.0	25.8	21.3	18.1	15.0	12.6	10.5
	6'	30.3	26.7	23.8	21.4	19.4	17.8	15.0	12.6	10.5
	7'	22.0	19.3	17.1	15.4	13.9	12.7	11.6	10.7	-
4"	4'	46.4	41.0	36.6	33.1	30.1	26.1	22.2	20.0	17.3
	5'	36.6	32.3	28.8	26.0	23.6	21.6	19.9	18.4	17.1
	6'	30.1	26.5	23.6	21.2	19.3	17.6	16.2	14.9	13.8
	7'	21.8	19.1	17.0	15.2	13.7	12.5	11.4	10.5	-
5"	4'	46.2	40.8	36.5	32.9	30.0	27.4	25.3	21.9	20.0
	5'	36.5	32.1	28.6	25.8	23.4	21.4	19.7	18.2	16.9
	6'	30.0	26.3	23.4	21.1	19.1	17.4	16.0	14.7	13.7
	7'	21.7	19.0	16.8	15.0	13.6	12.3	11.3	10.3	-
6"	4'	46.1	40.6	36.3	32.7	29.8	27.3	25.1	23.3	21.1
	5'	36.3	32.0	28.5	25.6	23.3	21.3	19.5	18.1	16.8
	6'	29.8	26.2	23.3	20.9	18.9	17.3	15.8	14.6	13.5
	7'	21.5	18.8	16.6	14.9	13.4	12.2	11.1	10.2	-

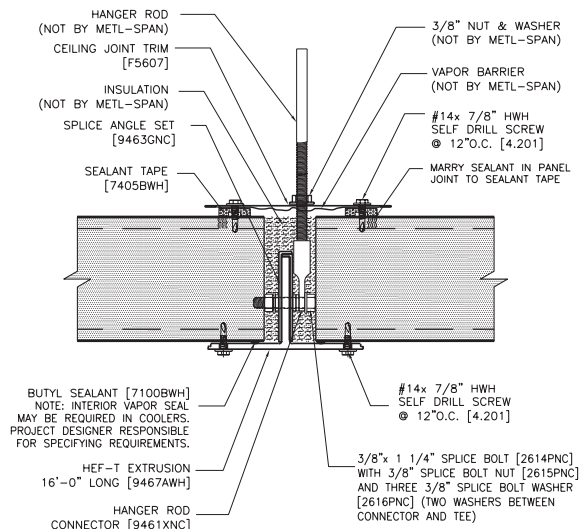
NOTES:

- 1.5" flange (3/16" thick), 3" web (1/4" thick") supplied by Metl-Span.
- Rod spacing.
- Based on testing CF-45, Light Mesa panel with 26 ga. exterior & interior face (min Fy = 33 ksi) with single span condition over aluminum tee beam.
- Applicable to panel widths of 44.5" or narrower with Mesa or Light Mesa profiles.
- Aluminum tee beams (6063-T6) are supported by 3/8" diameter hanging rods (min 60 ksi).
- The allowable stresses for tee beam were calculated in accordance with 2005, 2010 and 2015 Aluminum Design Manual for use with IBC 2009, 2012 and 2015, respectively.
- The allowable loads are calculated with the following safety factors: 2.5 for panel bending failure for live loads >20 psf; 2.0 for panel bending failure for live loads <=20 psf; 3.0 for panel shear failure; and 3.0 for hanger rod connection failure.
- W = Allowable uniform live load (psf). Panel (dead) weight has been deducted from the above loads.
- The structural capacity of the panel assembly, tee beam hanger, tee beam connection to rod, and rod are considered. All other structural support members and connections must be examined independently.

16' Long Aluminum Tee



HEF-T Ceiling Support System



Descriptions and specifications contained herein were in effect at the time this publication was approved for printing. In a continuing effort to refine and improve products, Metl-Span reserves the right to discontinue products at any time or change specifications and/or designs without incurring obligation. To ensure you have the latest information available, please inquire or visit our website at metlspan.com.