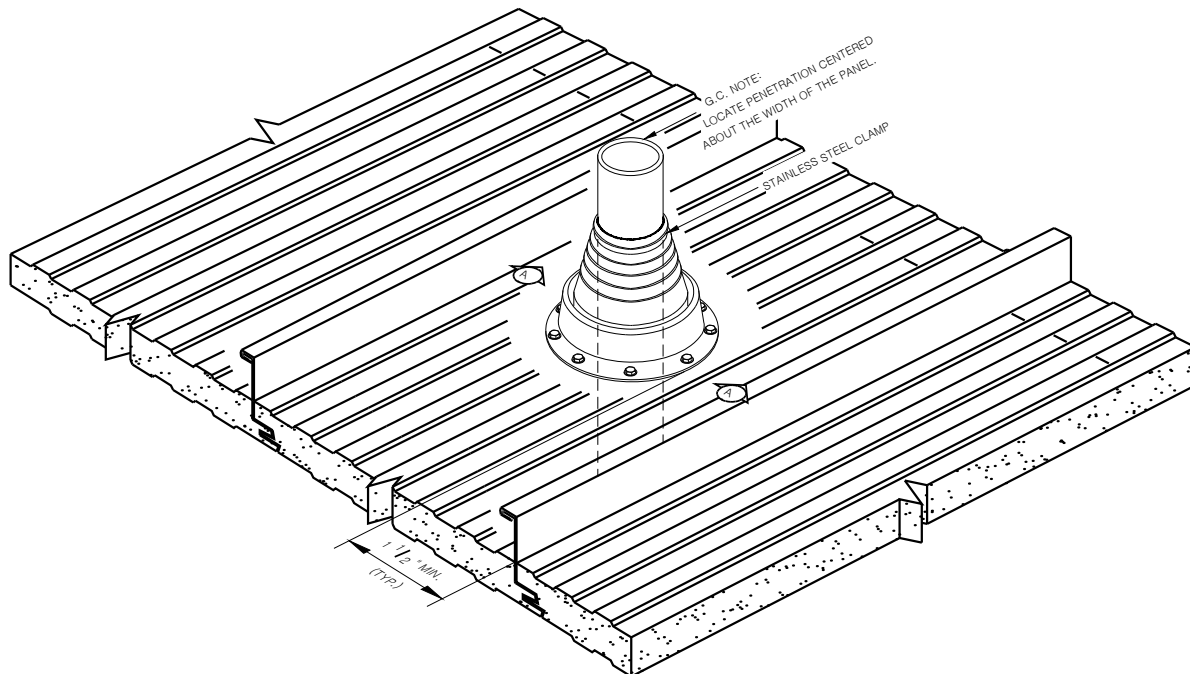


NOTE:

FOR ROOF PITCHES GREATER THAN 4:12 CONSIDER  
USING NEXT LARGER SIZE BOOT.  
(DO NOT INSTALL OVER PANEL RIBS)



STEPS FOR INSTALLING PIPE BOOT FLASHING:

- 1.) CUT PIPE BOOT TO PIPE DIAMETER MARKED ON THE CONE (INCHES AND MILLIMETERS). ALLOW 1/2" [13] STRAIGHT COLLAR AGAINST THE PIPE FOR MAXIMUM SEALING.
- 2.) CLEAN AREA FLASHING IS TO BE INSTALLED AGAINST THE PANEL THOROUGHLY.
- 3.) SLIDE BOOT OVER PIPE TO BE FLASHED.
- 4.) APPLY A 3/8" [10] Ø BEAD OF POLYURETHANE TO THE UNDER SIDE OF THE RIBBED ALUMINUM BASE.
- 5.) PRESS FLASHING TO CONTOURS OF ROOF PANEL. A BLUNT TOOL MAY BE USED TO PRESS BOOT INTO PLACE IN SHARPLY ANGLED AREAS.
- 6.) FASTEN FLASHING AS DESCRIBED IN DETAIL. WHILE FASTENING INSPECT BASE FOR GAPS BETWEEN THE PIPE BOOT BASE AND ROOF PANEL. TOOL EXCESS POLYURETHANE SEALANT INTO THE EDGE OF THE BOOT BASE.
- 7.) USE 3/16" DIA. BULB-TITE RIVETS OVER NAILBASE INSULATION

