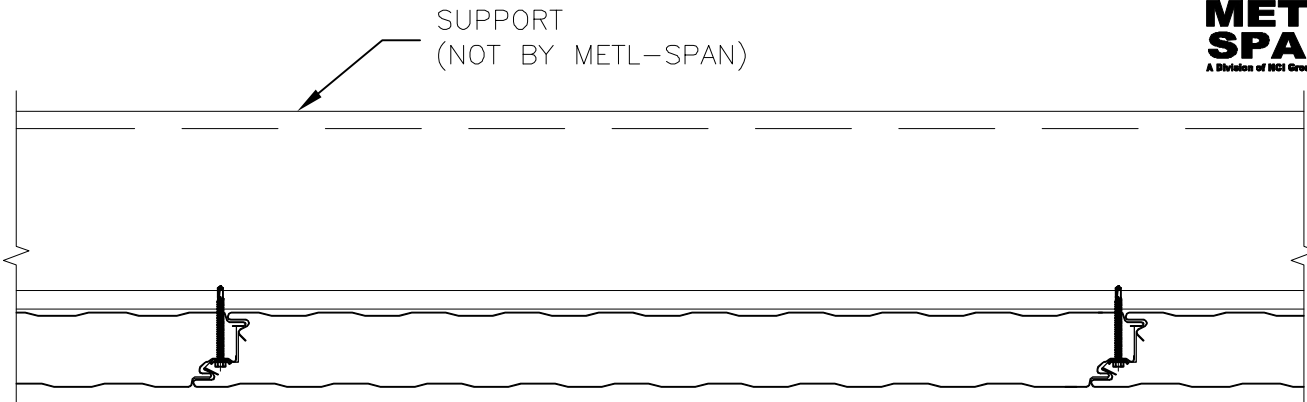


**Metl-Span Architectural Flat Wall Panels**  
**22 Ga. Exterior / 26 Ga. Interior Facings**  
**Allowable Connection Load<sup>1,6,7,8</sup> (psf) for Two or More Equal Spans**

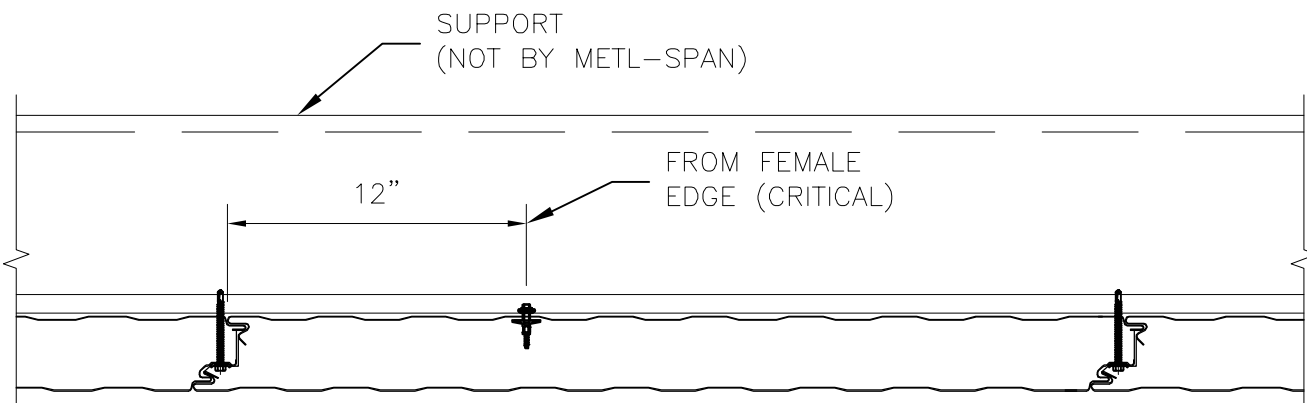
| Panel Type <sup>2</sup>        | Fastener <sup>3,4,5</sup> | Thickness | Support Span |      |      |      |      |      |       |       |       |
|--------------------------------|---------------------------|-----------|--------------|------|------|------|------|------|-------|-------|-------|
|                                |                           |           | 4 ft         | 5 ft | 6 ft | 7 ft | 8 ft | 9 ft | 10 ft | 11 ft | 12 ft |
| CF-36<br>Architectural<br>Flat | FP1                       | 2"        | 54.8         | 42.8 | 35.0 | 29.5 | 25.4 | 22.4 | 20.0  | 18.0  | 16.4  |
|                                |                           | 2.5"      | 56.7         | 44.3 | 36.2 | 30.5 | 26.3 | 23.1 | 20.6  | 18.6  | 16.9  |
|                                |                           | 3"        | 58.4         | 45.7 | 37.4 | 31.5 | 27.1 | 23.8 | 21.2  | 19.1  | 17.4  |
|                                |                           | 4"        | 61.5         | 48.4 | 39.6 | 33.4 | 28.8 | 25.3 | 22.5  | 20.2  | 18.4  |
|                                | FP2                       | 2"        | 66.0         | 51.5 | 42.1 | 35.5 | 30.6 | 26.9 | 24.0  | 21.7  | 19.7  |
|                                |                           | 2.5"      | 71.4         | 55.8 | 45.6 | 38.4 | 33.1 | 29.1 | 25.9  | 23.4  | 21.3  |
|                                |                           | 3"        | 76.6         | 60.0 | 49.1 | 41.3 | 35.6 | 31.3 | 27.8  | 25.1  | 22.8  |
|                                |                           | 4"        | 86.9         | 68.4 | 56.0 | 47.2 | 40.7 | 35.7 | 31.8  | 28.6  | 26.0  |
|                                | FP3                       | 2"        | 88.3         | 69.0 | 56.3 | 47.0 | 38.9 | 32.4 | 27.2  | 23.1  | 19.7  |
|                                |                           | 2.5"      | 90.0         | 70.4 | 57.5 | 48.4 | 41.8 | 36.7 | 32.7  | 29.5  | 26.3  |
|                                |                           | 3"        | 91.4         | 71.6 | 58.5 | 49.3 | 42.5 | 37.3 | 33.2  | 29.9  | 27.2  |
|                                |                           | 4"        | 93.7         | 73.7 | 60.4 | 50.9 | 43.9 | 38.5 | 34.3  | 30.8  | 28.0  |
| CF-30<br>Architectural<br>Flat | FP1                       | 2"        | 72.1         | 56.3 | 45.9 | 38.7 | 33.4 | 29.4 | 26.3  | 23.1  | 19.7  |
|                                |                           | 2.5"      | 74.3         | 58.1 | 47.4 | 40.0 | 34.5 | 30.3 | 27.0  | 24.3  | 22.2  |
|                                |                           | 3"        | 76.3         | 59.8 | 48.9 | 41.2 | 35.5 | 31.1 | 27.7  | 25.0  | 22.7  |
|                                |                           | 4"        | 80.0         | 62.9 | 51.5 | 43.5 | 37.5 | 32.9 | 29.2  | 26.3  | 23.9  |
|                                | FP2                       | 2"        | 90.8         | 70.9 | 57.9 | 47.0 | 38.9 | 32.4 | 27.2  | 23.1  | 19.7  |
|                                |                           | 2.5"      | 95.5         | 74.7 | 61.0 | 51.4 | 44.3 | 38.9 | 34.7  | 30.5  | 26.3  |
|                                |                           | 3"        | 100.0        | 78.3 | 64.0 | 53.9 | 46.5 | 40.8 | 36.3  | 32.7  | 29.8  |
|                                |                           | 4"        | 108.5        | 85.3 | 69.9 | 59.0 | 50.8 | 44.6 | 39.7  | 35.7  | 32.4  |
|                                | FP3                       | 2"        | 90.8         | 71.3 | 57.9 | 47.0 | 38.9 | 32.4 | 27.2  | 23.1  | 19.7  |
|                                |                           | 2.5"      | 103.5        | 81.2 | 66.7 | 56.5 | 49.1 | 41.7 | 35.5  | 30.5  | 26.3  |
|                                |                           | 3"        | 109.7        | 86.0 | 70.2 | 59.2 | 51.0 | 44.8 | 39.9  | 35.9  | 32.4  |
|                                |                           | 4"        | 112.4        | 88.4 | 72.5 | 61.1 | 52.7 | 46.2 | 41.1  | 37.0  | 33.6  |
| CF-24<br>Architectural<br>Flat | FP1                       | 2"        | 89.3         | 69.7 | 56.9 | 47.0 | 38.9 | 32.4 | 27.2  | 23.1  | 19.7  |
|                                |                           | 2.5"      | 91.9         | 71.9 | 58.7 | 49.5 | 42.7 | 37.5 | 33.4  | 30.1  | 26.3  |
|                                |                           | 3"        | 94.3         | 73.9 | 60.4 | 50.9 | 43.8 | 38.5 | 34.3  | 30.9  | 28.1  |
|                                |                           | 4"        | 98.5         | 77.5 | 63.5 | 53.5 | 46.2 | 40.5 | 36.0  | 32.4  | 29.4  |
|                                | FP2                       | 2"        | 90.8         | 71.3 | 57.9 | 47.0 | 38.9 | 32.4 | 27.2  | 23.1  | 19.7  |
|                                |                           | 2.5"      | 103.5        | 81.2 | 66.7 | 56.5 | 49.1 | 41.7 | 35.5  | 30.5  | 26.3  |
|                                |                           | 3"        | 115.2        | 90.3 | 74.1 | 62.7 | 54.4 | 48.0 | 42.9  | 37.2  | 32.4  |
|                                |                           | 4"        | 121.9        | 95.6 | 78.4 | 66.2 | 57.3 | 50.5 | 45.1  | 40.8  | 37.2  |

**Notes:**

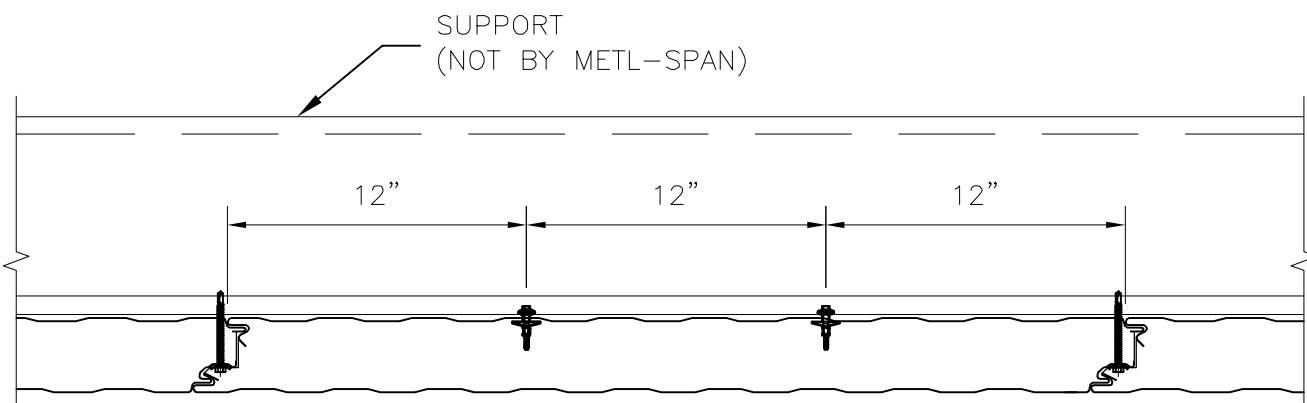
- The Load Span Table above is based on Allowable Stress Design (ASD). For loads calculated based on ASCE 7-10 (LRFD), please refer to section 2.4.1 of ASCE 7-10 for the applicable load combinations using Allowable Stress Design.
- Based on CF-panel with 22 ga. Architecturally Flat exterior and 26 ga. Light Mesa interior face (min  $F_y = 33$  ksi).
- Fastener pattern FP1 is based on CF panel clips fastened to min. 14 ga. steel. Fastener options will be (2) ¼"-14 SDS Type 3, (2) ¼"-14 Self-Tapping, (2) ¼"-14 Type 5 SDS, or ¼"-20 Type 5 SDS. Fastener selection will be based on fastener pullout capacity from support steel members.
- For CF-30, FP2 is based on FP1 along with (1) blind rivet at 10" o.c. from female panel sidelap. For CF-24 and CF-36, FP2 is based on FP1 along with (1) blind rivet at 12" o.c. from female panel sidelap.
- For CF-30, FP3 is based on FP1 along with (2) blind rivets at 10" o.c. from female panel sidelap. For CF-36, FP3 is based on FP1 along with (2) blind rivets at 12" o.c. from female panel sidelap.
- Allowable loads based on panel stress, connection strength and deflection design criteria are derived from ASTM E72 and E1592 structural testing.
- The allowable inward or outward loads is the smallest load calculated with a factor of safety of 2.5 for bending stress, 3.0 for shear stresses, 2.0 for connection and deflection limitation of  $L/180$ .
- The structural capacity of the supports are not considered and must be examined independently.



(FP1) SIDE JOINT CLIP ONLY

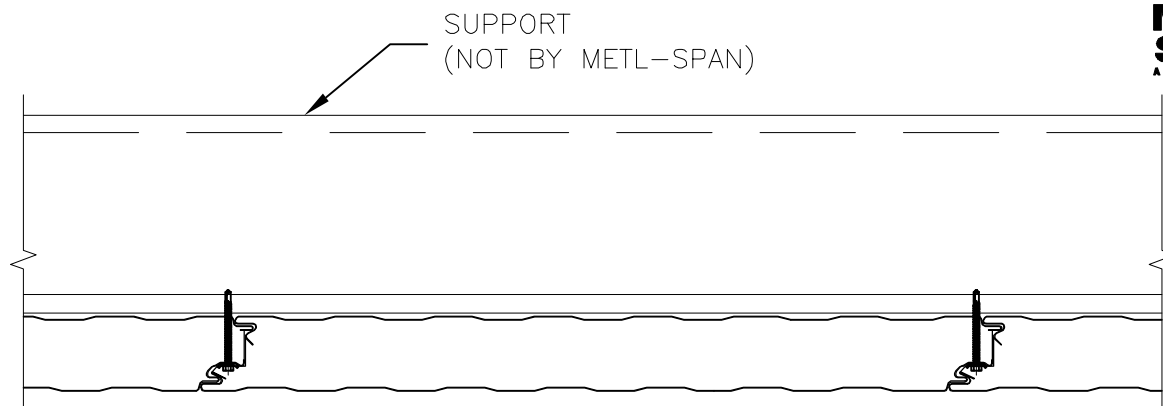


(FP2) SIDE JOINT AND (1) BLIND RIVET

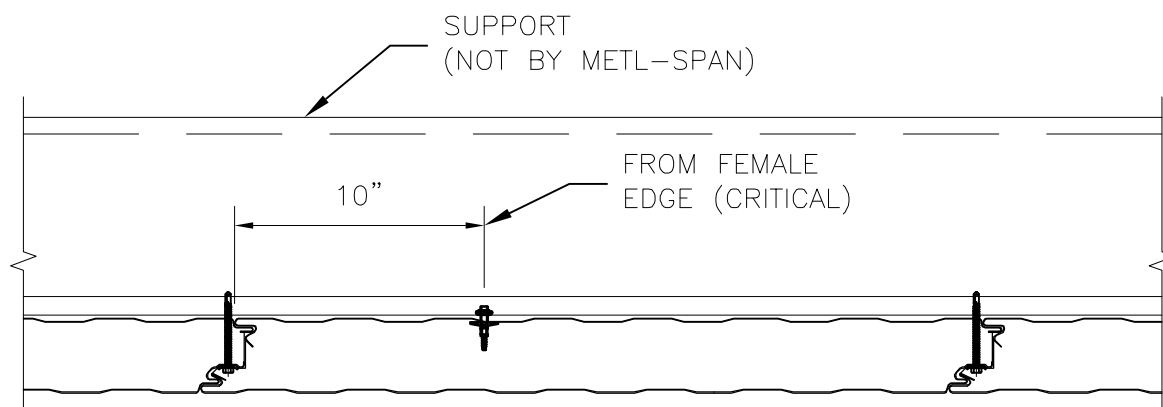


(FP3) SIDE JOINT AND (2) BLIND RIVETS

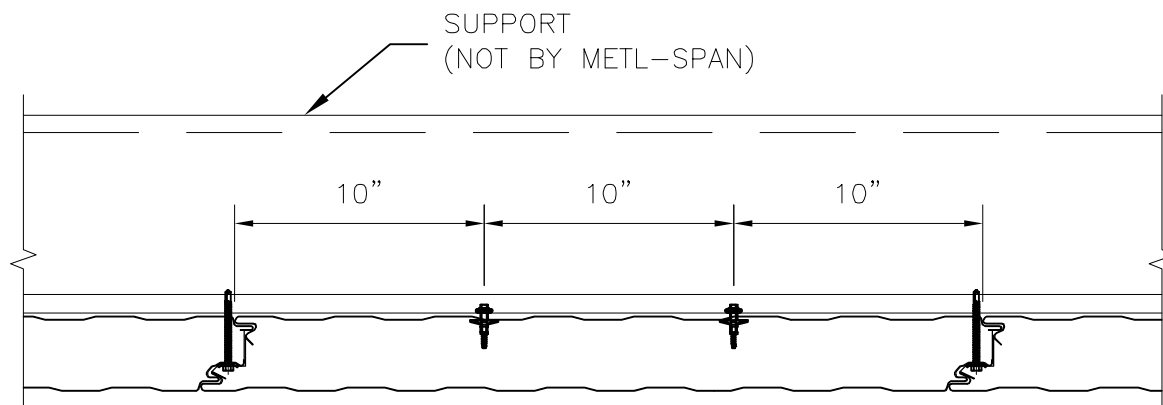
## CF36 FASTENING PATTERNS



(FP1) SIDE JOINT CLIP ONLY

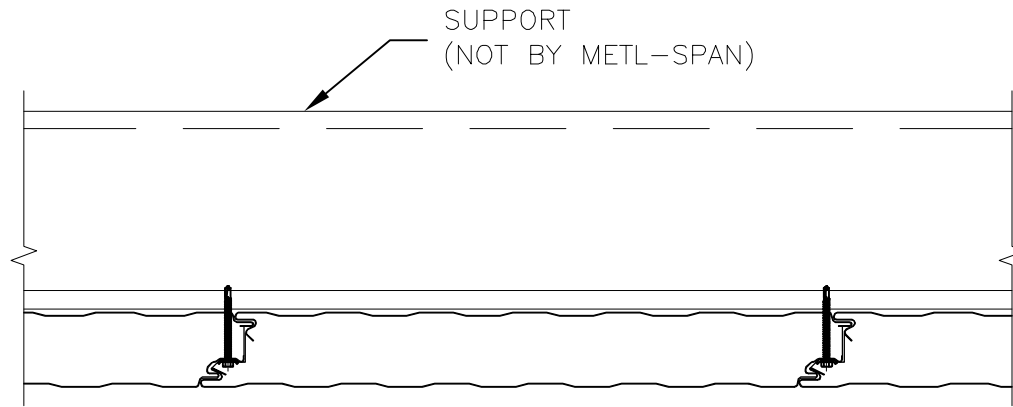


(FP2) SIDE JOINT AND (1) BLIND RIVET

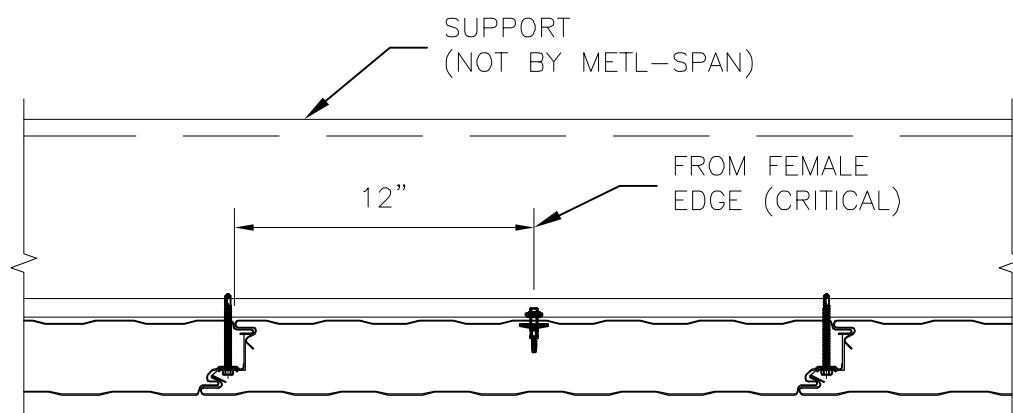


(FP3) SIDE JOINT AND (2) BLIND RIVETS

## CF30 FASTENING PATTERNS



(FP1) SIDE JOINT CLIP ONLY



(FP2) SIDE JOINT AND (1) BLIND RIVET

## CF24 FASTENING PATTERNS