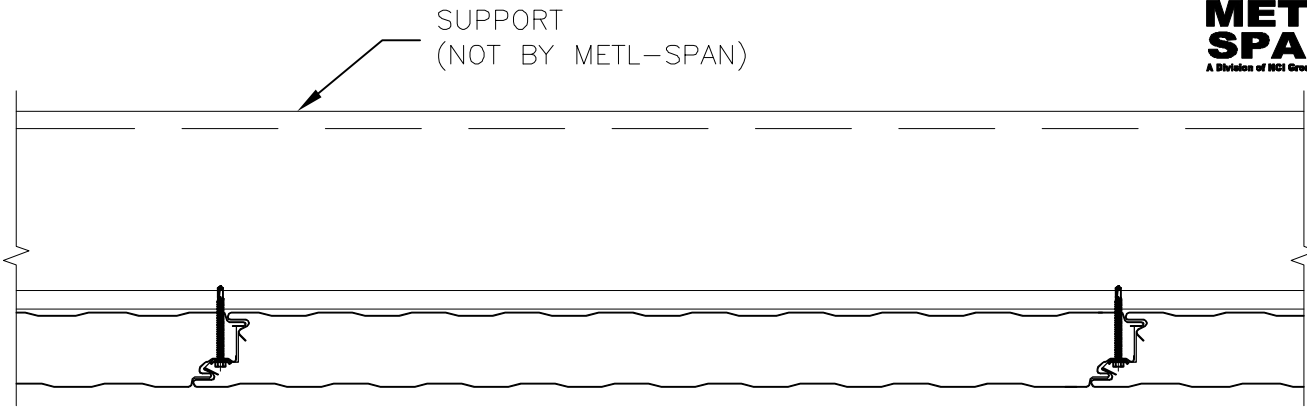


Metl-Span CF-36 Architectural Flat Wall Panel
22 Ga. Exterior / 26 Ga. Interior Facings
Two or More Span Conditions

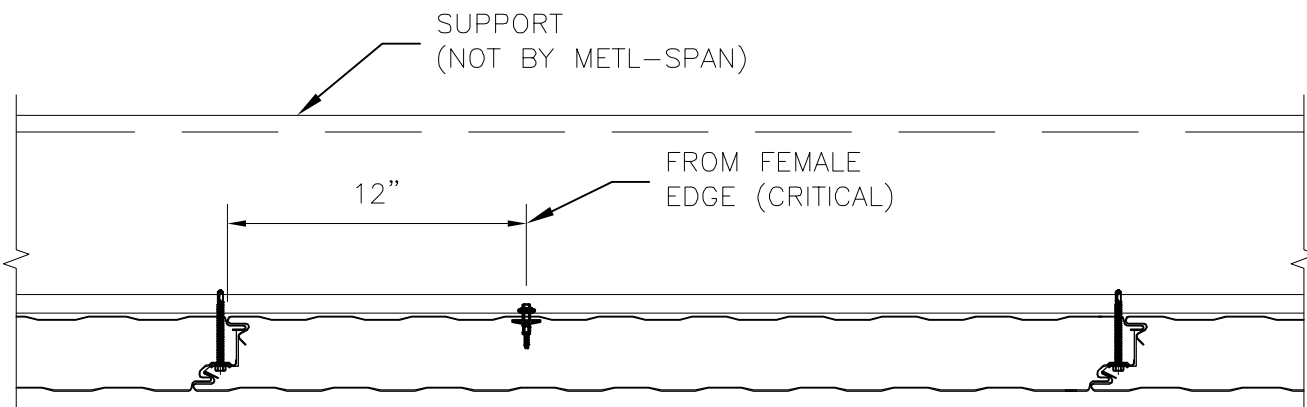
CF Panel	Span Condition	Design Criteria	LSD (Limit State Design), PSF								
			Panel Span (ft)								
			4.0	5.0	6.0	7.0	8.0	9.0	10.0	11.0	12.0
36" wide 2" thick	Two Spans	Bending & Shear	112.1	87.6	71.5	60.3	52.0	45.8	40.8	36.8	31.9
		Deflection (L/180)	96.9	74.0	58.7	47.8	39.7	33.4	28.5	24.5	21.2
		Connection	68.4	56.3	48.1	42.2	37.6	33.5	29.9	27.0	24.6
	Three or More Span	Bending & Shear	109.3	85.8	70.5	59.9	52.0	46.0	41.2	37.4	34.2
		Deflection (L/180)	97.8	74.8	59.3	48.1	39.7	33.2	28.0	23.8	20.4
		Connection	70.5	57.8	49.0	42.6	37.6	33.7	30.5	27.8	25.6
36" wide 2.5" thick	Two Spans	Bending & Shear	128.0	100.2	81.8	68.9	59.4	52.2	46.5	41.9	38.2
		Deflection (L/180)	118.0	90.7	72.5	59.6	49.9	42.4	36.5	31.6	27.6
		Connection	76.2	62.6	53.4	46.8	41.7	37.7	34.3	30.9	28.2
	Three or More Span	Bending & Shear	124.7	97.8	80.2	68.0	59.0	52.1	46.7	42.3	38.6
		Deflection (L/180)	118.8	91.7	73.4	60.2	50.3	42.5	36.3	31.2	27.1
		Connection	78.6	64.5	54.8	47.6	42.2	37.8	34.3	31.3	28.8
36" wide 3" thick	Two Spans	Bending & Shear	142.3	111.6	91.2	76.9	66.3	58.2	51.8	46.6	42.4
		Deflection (L/180)	136.1	105.3	84.7	70.0	59.0	50.4	43.6	38.1	33.5
		Connection	83.2	68.1	58.1	50.8	45.3	41.0	37.4	34.4	31.5
	Three or More Span	Bending & Shear	138.7	108.7	89.2	75.5	65.4	57.7	51.6	46.7	42.7
		Deflection (L/180)	136.9	106.2	85.6	70.8	59.6	50.8	43.8	38.0	33.2
		Connection	85.7	70.3	59.8	52.0	46.1	41.4	37.6	34.4	31.7

Notes:

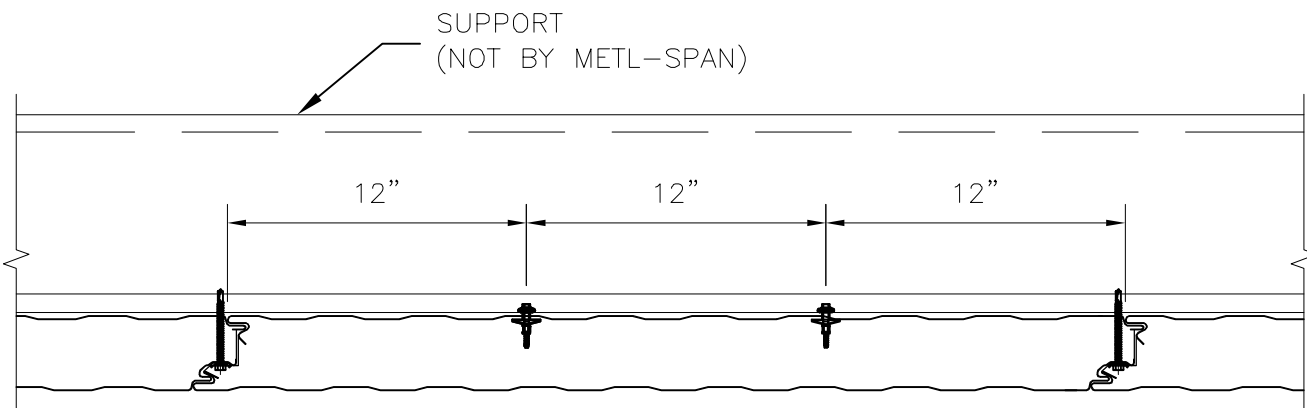
1. Based on CF-24 panel with 22 ga. Architectural Flat exterior & 26 ga. Light Mesa interior face (min Fy = 33 ksi).
2. Based on attachment with CF panel clip with (2) 1/4"-14 Self-Drilling Tek 3 screws in min. 14 ga. steel or (2) 1/4"-14 Self-Drilling Tek 3 screws in min. 12 ga. steel. In lieu of self-drilling screws, self-tapping screws may be used.
3. Factored resistance inward load is the lower value of panel bending and shear resistance.
4. Factored resistance outward load is the lowest value of panel bending, shear and connection resistance.
5. Loads based on panel stress and deflection design criteria are derived from ASTM E-72 testing. The factored resistance loads are calculated with resistance factor of 0.5 and 0.4 for bending and shear stresses, respectively.
6. The panel and its connection strength was determined from ASTM E72 testing and the factored resistance loads are calculated with resistance factor of 0.7.
7. Specified loads should not exceed the deflection load for L/180 limit.
8. The structural capacity of the purlins are not considered and must be examined independently.
9. Multiple spans are based on 3 or more spans conditions.



(FP1) SIDE JOINT CLIP ONLY



(FP2) SIDE JOINT AND (1) BLIND RIVET



(FP3) SIDE JOINT AND (2) BLIND RIVETS

CF36 FASTENING PATTERNS