

**Metl-Span Light Mesa Wall Panels<sup>7</sup>**  
**26 Ga. Exterior / 26 ga. Interior Facings**  
**Allowable Positive Load<sup>1,4,5,6</sup> (psf) for Two or More Equal Spans**

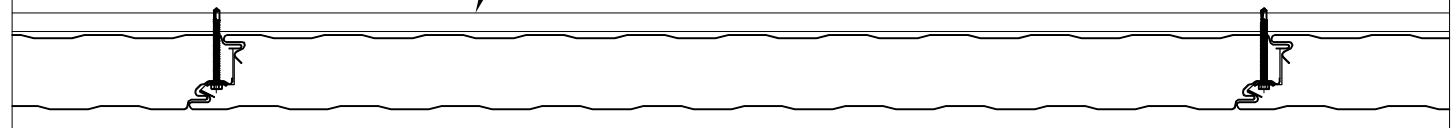
Panel Type <sup>2</sup>	Design Criteria <sup>3</sup>	Support Span										
		5 ft	6 ft	7 ft	8 ft	9 ft	10 ft	11 ft	12 ft	13 ft	14 ft	15 ft
2" Thick	Bending & Shear	70.6	58.1	49.4	42.7	37.6	30.6	24.4	20.0	16.7	14.1	12.2
	Deflection (L/180)	72.1	56.5	45.4	36.8	30.3	25.1	21.0	17.8	15.1	12.9	11.1
2½" Thick	Bending & Shear	80.3	66.0	56.1	48.7	42.8	38.2	31.3	25.4	21.1	17.8	15.2
	Deflection (L/180)	90.1	71.3	58.0	48.0	40.0	33.7	28.6	24.5	21.0	18.2	15.8
3" Thick	Bending & Shear	89.2	73.3	62.1	53.9	47.6	42.4	37.2	30.0	24.8	20.8	17.7
	Deflection (L/180)	106.2	84.7	69.4	58.0	49.1	41.8	35.9	31.0	26.9	23.5	20.6
4" Thick	Bending & Shear	94.4	77.4	65.5	56.7	50.0	44.7	40.5	36.8	33.7	31.1	27.2
	Deflection (L/180)	132.8	107.0	88.5	74.7	64.0	55.5	48.5	42.5	37.5	33.2	29.5

**Notes:**

1. The Load Span Table above is based on Allowable Stress Design (ASD). For loads calculated based on ASCE 7-10 (LRFD), please refer to section 2.4.1 of ASCE 7-10 for the applicable load combinations using Allowable Stress Design.
2. Based on CF-panel with 26 ga. Light Mesa exterior and 26 ga. Light Mesa interior face (min  $F_y = 33$  ksi).
3. Refer to the allowable connection load chart, for suction loads.
4. Allowable positive or suction load is the lowest value of panel bending strength, shear strength, deflection limit and connection strength for each fastener pattern.
5. Allowable loads based on panel stress and deflection design criteria are derived from ASTM E72 structural testing and calculated with factor of safety of 2.5 for bending stress, 3.0 for shear stresses and deflection limitation of L/180.
6. The structural capacity of the purlins are not considered and must be examined independently.
7. Consult Metl-Span for recommendations on panel profile and gauge suitable for thermal stresses.



SUPPORT  
(NOT BY METL-SPAN)



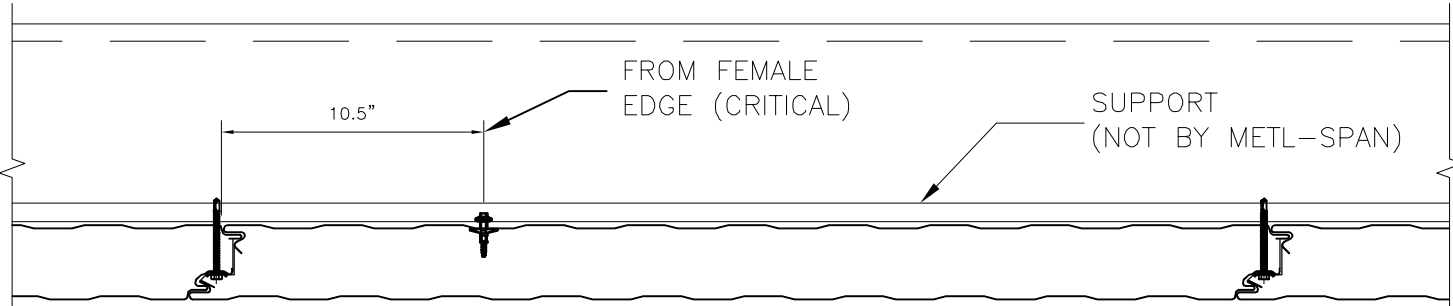
(FP1) SIDE JOINT CLIP ONLY

FROM FEMALE  
EDGE (CRITICAL)

SUPPORT  
(NOT BY METL-SPAN)

10.5"

10.5"

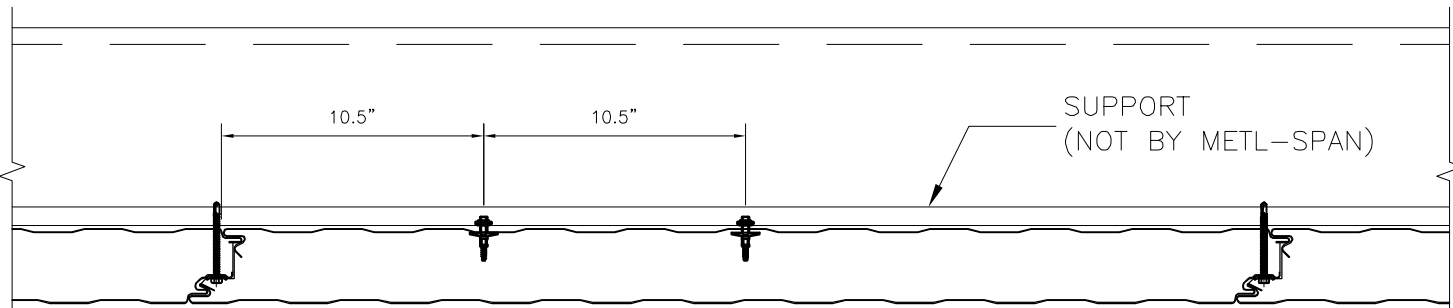


(FP2) SIDE JOINT AND (1) BLIND RIVET

SUPPORT  
(NOT BY METL-SPAN)

10.5"

10.5"



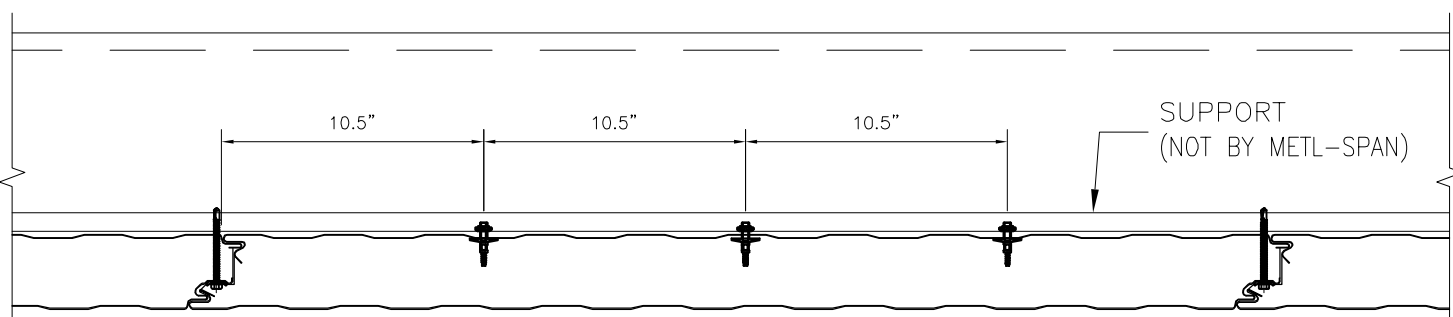
(FP3) SIDE JOINT AND (2) BLIND RIVETS

SUPPORT  
(NOT BY METL-SPAN)

10.5"

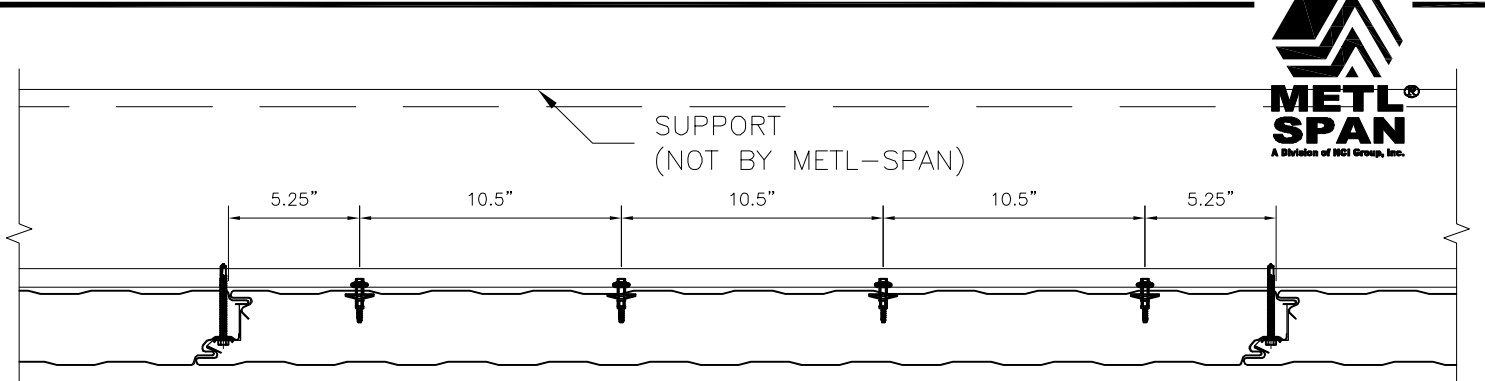
10.5"

10.5"

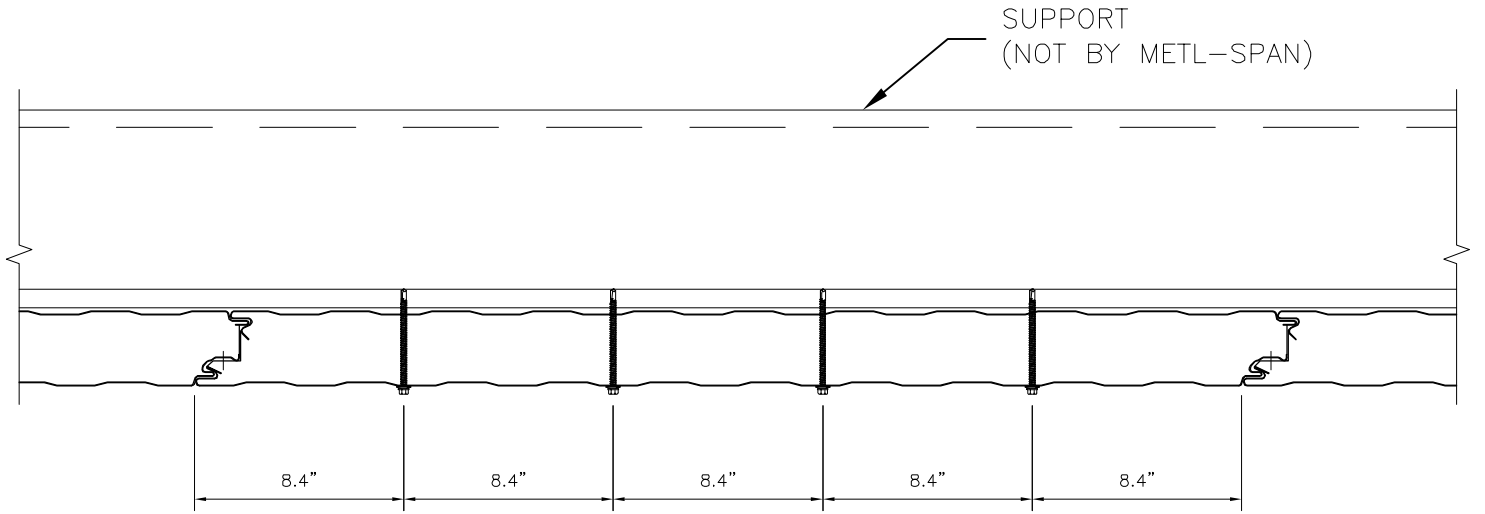


(FP4) SIDE JOINT AND (3) BLIND RIVETS

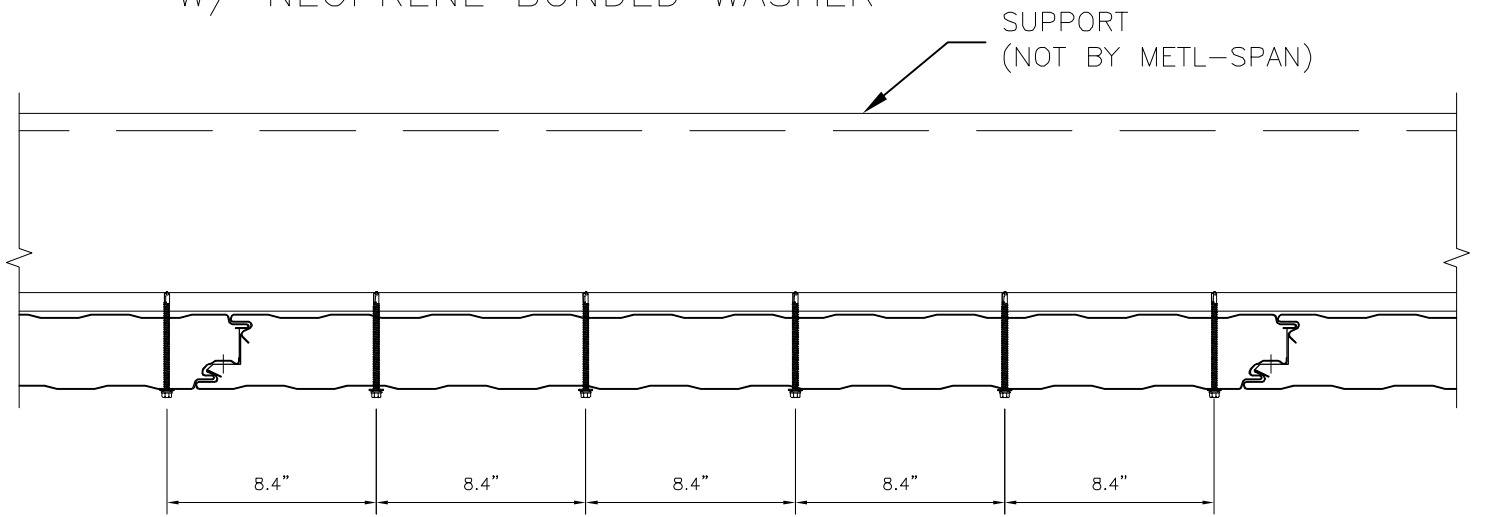
## CF42 FASTENING PATTERNS



(FP5) SIDE JOINT AND (4) BLIND RIVETS

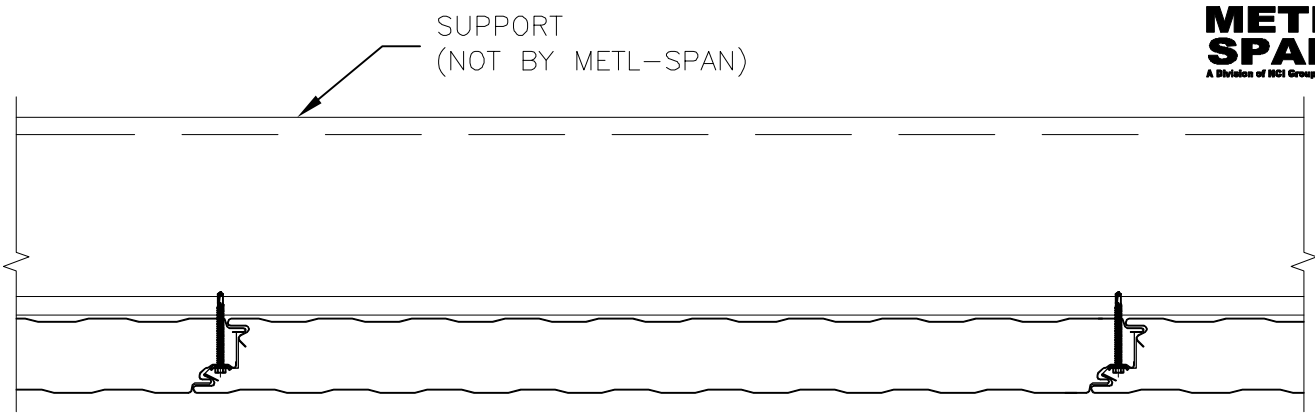


(FP9) (4) SELF-DRILLING OR SELF-TAPPING FASTENERS W/ NEOPRENE BONDED WASHER

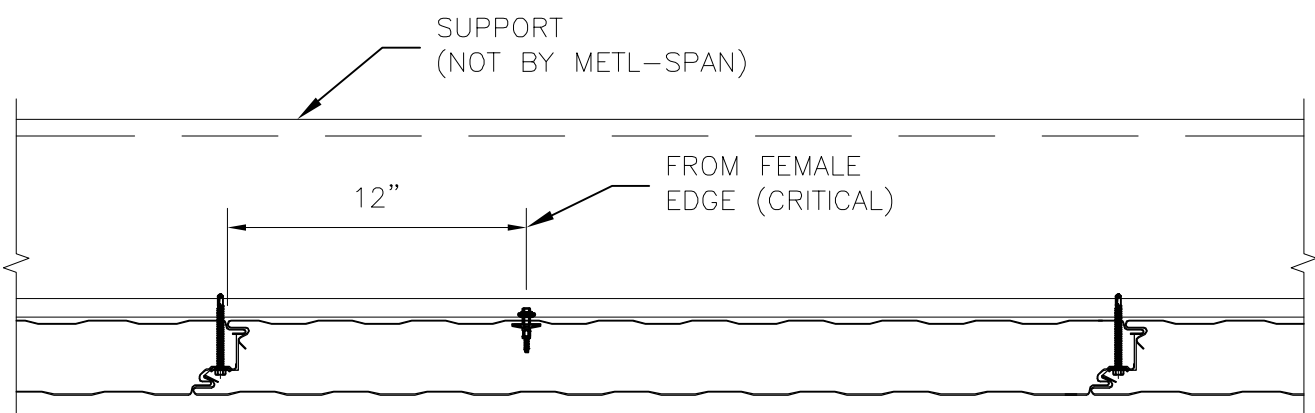


(FP10) (5) SELF-DRILLING OR SELF-TAPPING FASTENERS W/ NEOPRENE BONDED WASHER

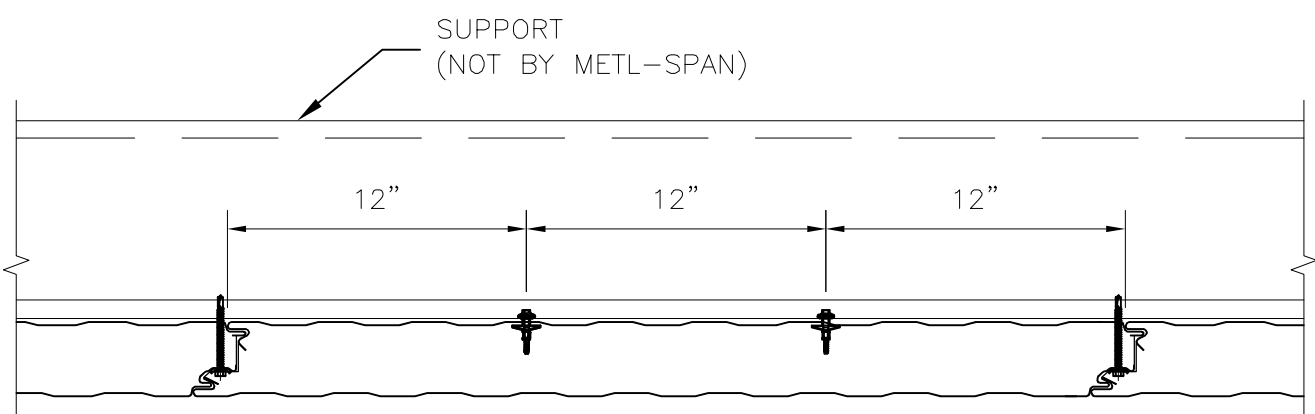
## CF42 FASTENING PATTERNS



(FP1) SIDE JOINT CLIP ONLY

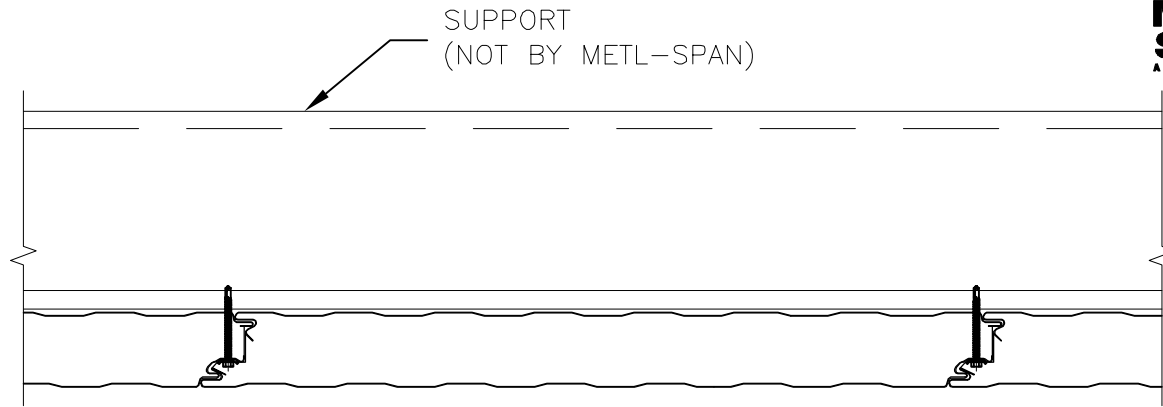


(FP2) SIDE JOINT AND (1) BLIND RIVET

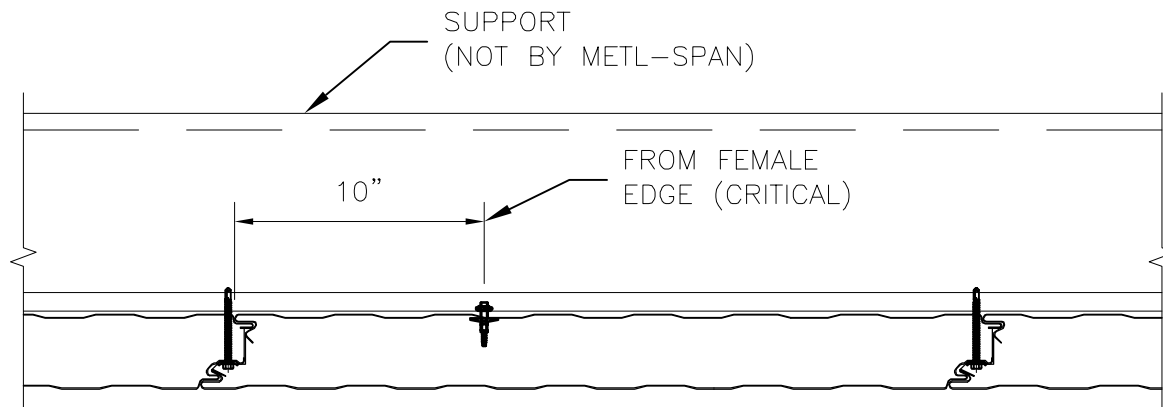


(FP3) SIDE JOINT AND (2) BLIND RIVETS

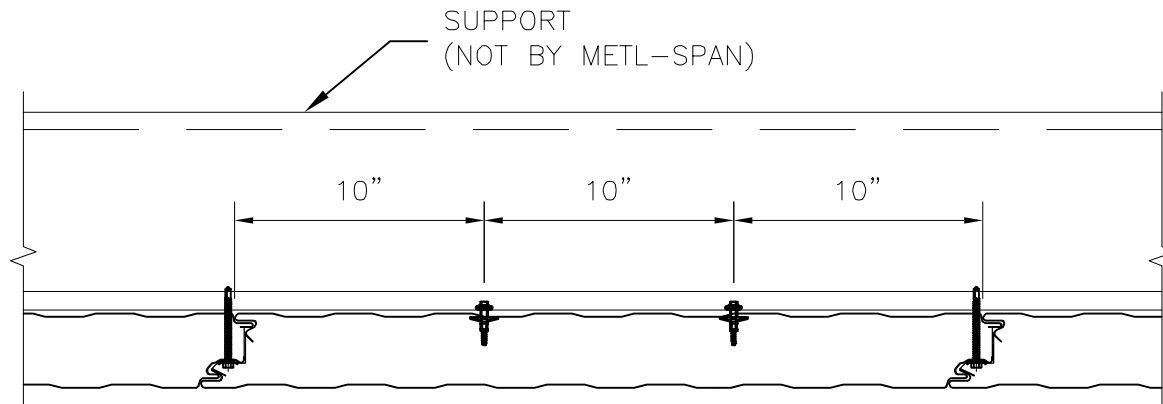
# CF36 FASTENING PATTERNS



(FP1) SIDE JOINT CLIP ONLY



(FP2) SIDE JOINT AND (1) BLIND RIVET



(FP3) SIDE JOINT AND (2) BLIND RIVETS

# CF30 FASTENING PATTERNS