

## CF-42 and CF-45 Partition Mesa Wall Panels

### 26 Ga. Exterior / 26 Ga. Interior Facings

#### Allowable Single Span for Inward and Outward Load of 10 PSF

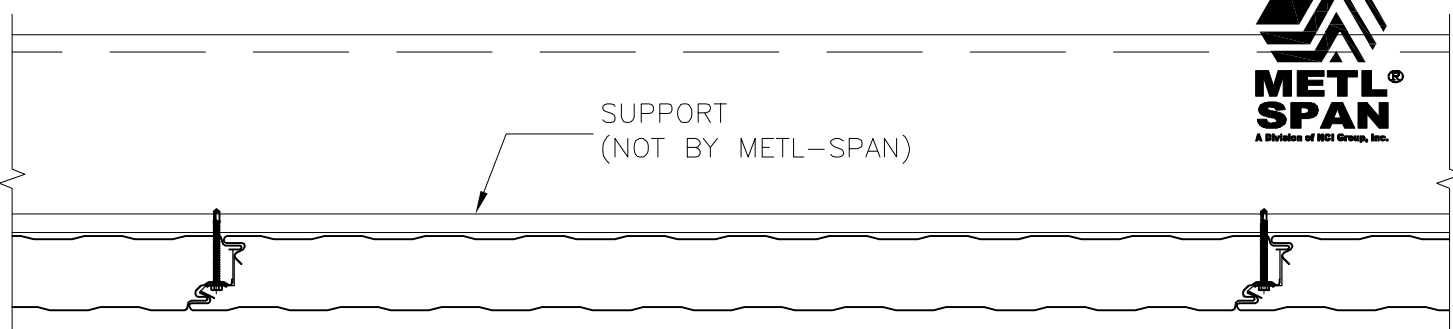
Panel Type	Thickness (in)	Design Criteria			Allowable Span (ft)
		Bending Stress	Shear Stress	Deflection Limit L/120	
CF-42 or CF-45  Mesa/Mesa	2"	18.1	38.5	15.8	15.8'
	2.5"	19.5	43.8	18.6	18.6'
	3"	20.6	48.5	21.2	20.6'
	4"	24.7	50.8	26.0	24.7'
	5"	27.9	57.2	30.3	27.9'
	6"	30.1	63.3	34.0	30.1'

#### Notes:

1. Based on panels with 26 Ga. exterior and 26 Ga. interior face (min Fy = 33 ksi) for single span condition.
2. Allowable span is the lowest value of panel bending strength, shear strength and deflection limit.
3. The spans based on panel stress and deflection design criteria are derived from E-72 structural testing. The allowable loads are calculated with a factor of safety of 2.0 and 3.0 for bending and shear stresses, respectively and deflection limitation of L/120.
4. The structural capacity of support members and panel attachment to the support members are not considered and must be examined independently.



SUPPORT  
(NOT BY METL-SPAN)



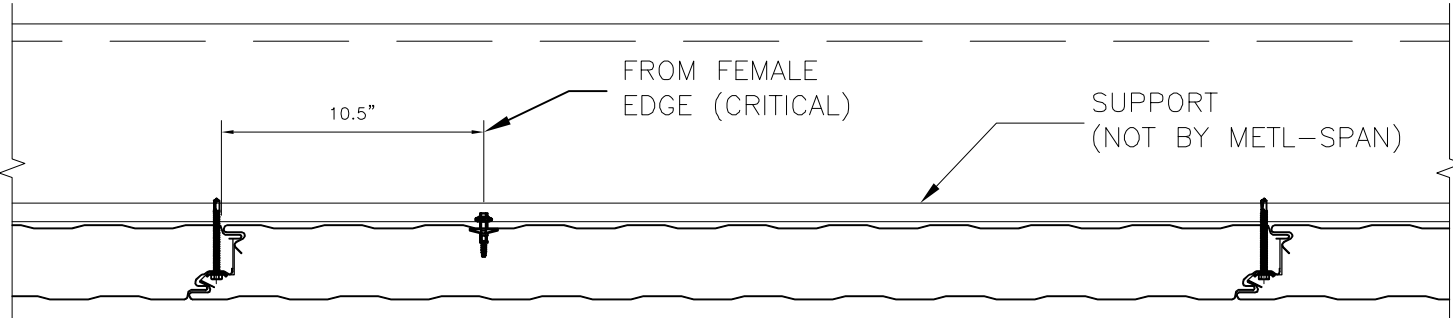
(FP1) SIDE JOINT CLIP ONLY

FROM FEMALE  
EDGE (CRITICAL)

SUPPORT  
(NOT BY METL-SPAN)

10.5"

10.5"

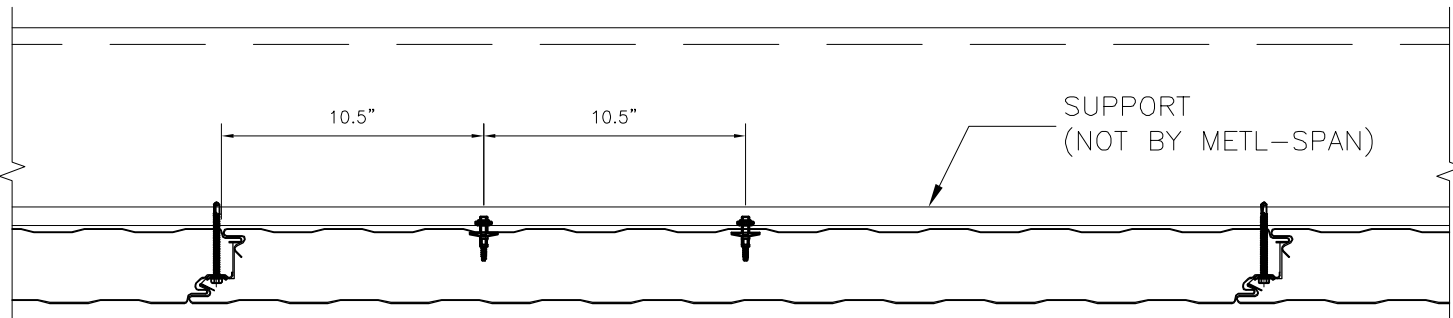


(FP2) SIDE JOINT AND (1) BLIND RIVET

SUPPORT  
(NOT BY METL-SPAN)

10.5"

10.5"



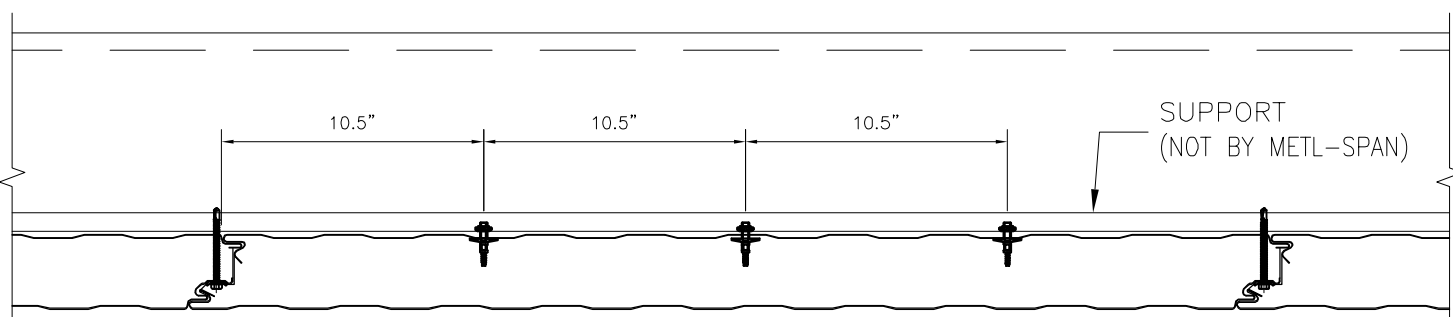
(FP3) SIDE JOINT AND (2) BLIND RIVETS

SUPPORT  
(NOT BY METL-SPAN)

10.5"

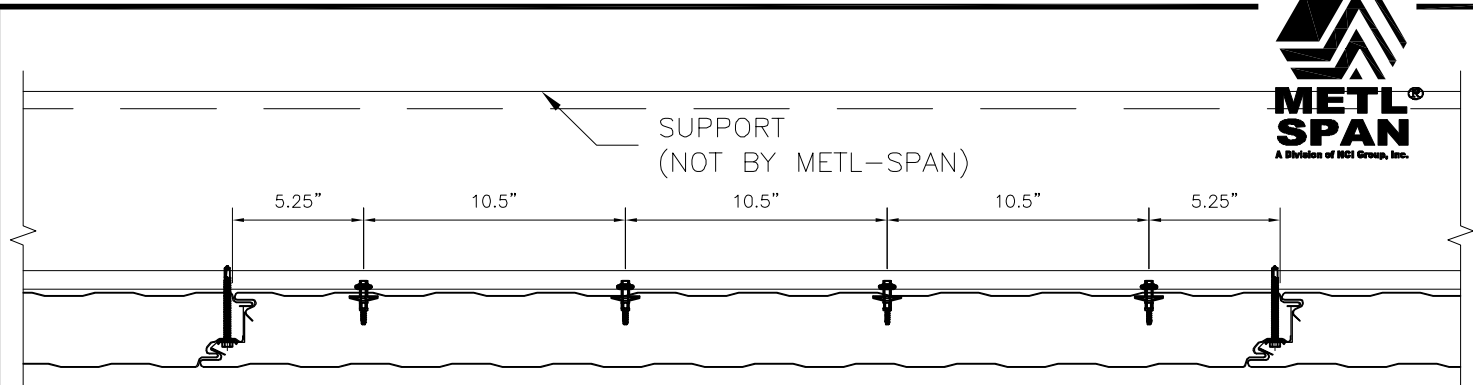
10.5"

10.5"

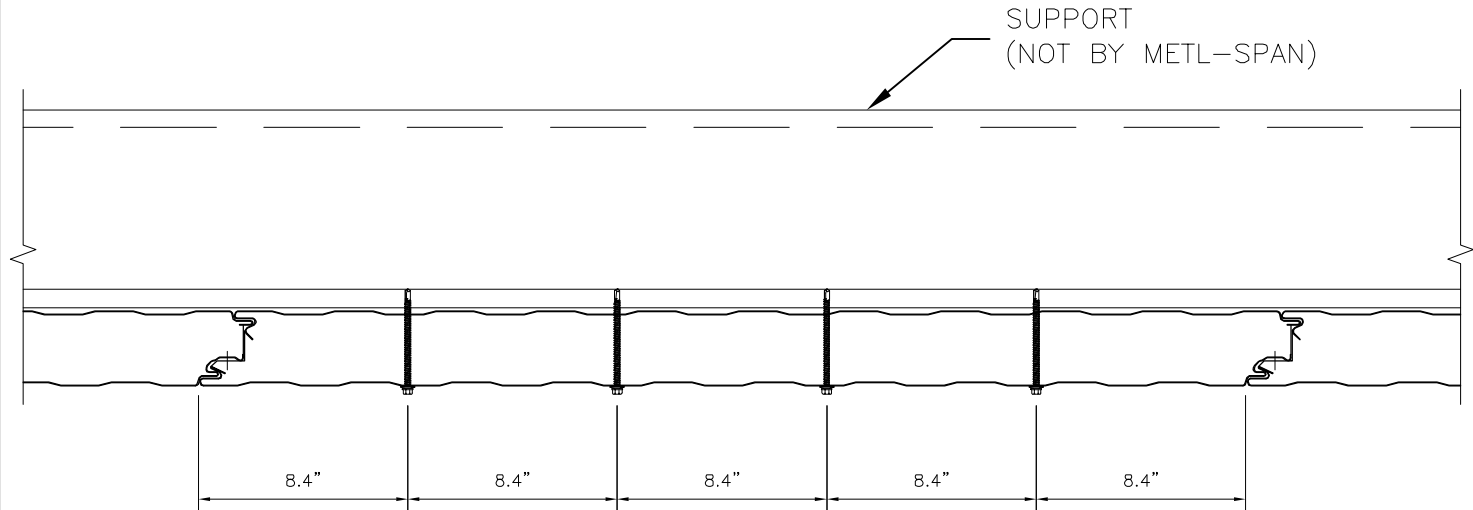


(FP4) SIDE JOINT AND (3) BLIND RIVETS

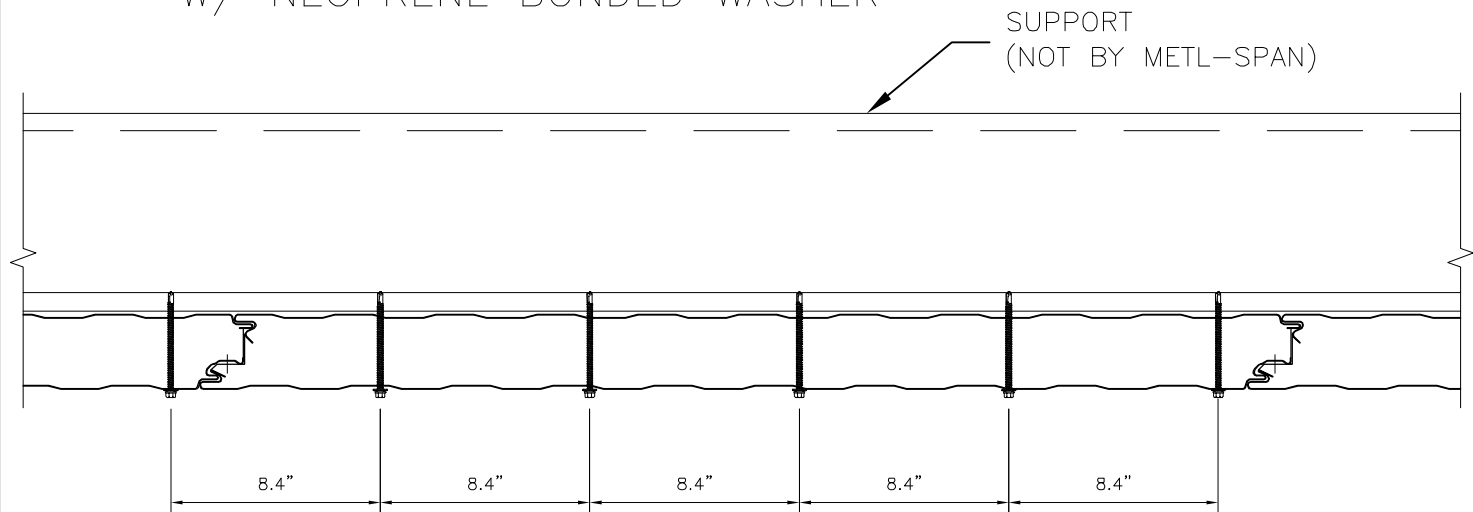
## CF42 FASTENING PATTERNS



(FP5) SIDE JOINT AND (4) BLIND RIVETS



(FP9) (4) SELF-DRILLING OR SELF-TAPPING FASTENERS W/ NEOPRENE BONDED WASHER



(FP10) (5) SELF-DRILLING OR SELF-TAPPING FASTENERS W/ NEOPRENE BONDED WASHER

## CF42 FASTENING PATTERNS