

Metl-Span Santa Fe Wall Panels
24 Ga. Exterior / 26 Ga. Interior Facings
Allowable Connection Load^{1,6,7,8} (psf) for Two or More Equal Spans

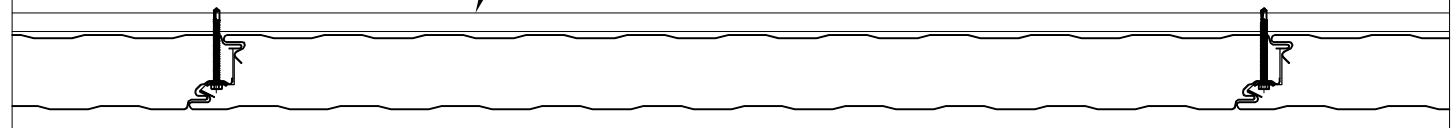
Panel Type ²	Fastener ^{3,4,5}	Thickness	Support Span								
			4 ft	5 ft	6 ft	7 ft	8 ft	9 ft	10 ft	11 ft	12 ft
36" wide	FP1	2"	54.4	42.5	34.7	29.2	25.3	22.2	19.9	17.9	16.4
		2.5"	56.3	44.0	35.9	30.2	26.1	22.9	20.5	18.5	16.8
		3"	58.0	45.4	37.1	31.2	26.9	23.6	21.1	19.0	17.3
		4"	61.2	48.1	39.3	33.2	28.6	25.1	22.3	20.1	18.2
	FP2	2"	65.5	51.1	41.7	35.2	30.4	26.8	23.9	21.6	19.6
		2.5"	70.8	55.3	45.2	38.1	32.9	28.9	25.8	23.2	21.2
		3"	76.1	59.6	48.7	41.0	35.3	31.0	27.6	24.9	22.7
		4"	86.5	67.9	55.6	46.9	40.4	35.4	31.5	28.4	25.8
	FP3	2"	87.6	68.4	55.9	47.1	39.7	32.8	27.4	23.1	19.6
		2.5"	89.4	69.8	57.0	48.0	41.5	36.4	32.5	29.3	26.4
		3"	90.8	71.1	58.1	48.9	42.2	37.0	33.0	29.7	27.1
		4"	93.2	73.2	59.9	50.5	43.6	38.2	34.0	30.6	27.8

Notes:

1. The Load Span Table above is based on Allowable Stress Design (ASD). For loads calculated based on ASCE 7-10 (LRFD), please refer to section 2.4.1 of ASCE 7-10 for the applicable load combinations using Allowable Stress Design.
2. Based on CF-panel with 24 ga. Santa Fe exterior and 26 ga. Santa Fe interior face (min $F_y = 33$ ksi).
3. Fastener pattern FP1 is based on CF panel clips fastened to min. 14 ga. steel. Fastener options will be (2) ¼"-14 SDS Type 3, (2) ¼"-14 Self-Tapping, (2) ¼"-14 Type 5 SDS, (2) ¼"-20 Type 5 SDS, or (2) ¼"-28 Type 5 SDS. Fastener selection will be based on fastener pullout capacity from support steel members.
4. Pattern FP2 is based on FP1 along with (1) blind rivet at 12" o.c. from female panel sidelap.
5. Pattern FP3 is based on FP1 along with (2) blind rivets at 12" o.c. from female panel sidelap.
6. Allowable loads based on panel stress, connection strength and deflection design criteria are derived from ASTM E72 and E1592 structural testing.
7. The allowable inward or outward loads is the smallest load calculated with a factor of safety of 2.5 for bending stress, 3.0 for shear stresses, 2.0 for connection and deflection limitation of L/180.
8. The structural capacity of the supports are not considered and must be examined independently.



SUPPORT
(NOT BY METL-SPAN)



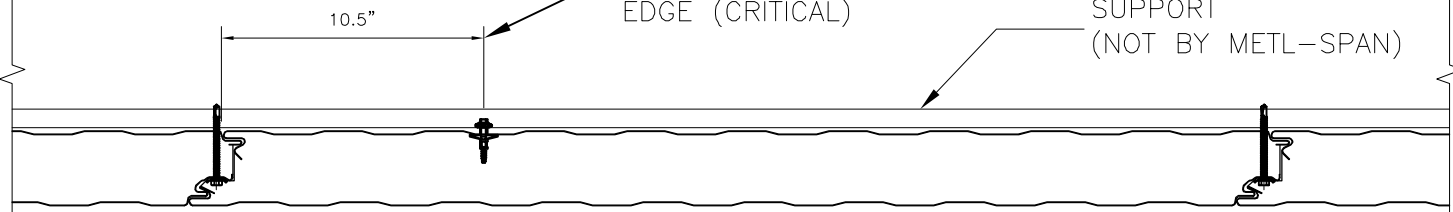
(FP1) SIDE JOINT CLIP ONLY

FROM FEMALE
EDGE (CRITICAL)

SUPPORT
(NOT BY METL-SPAN)

10.5"

10.5"

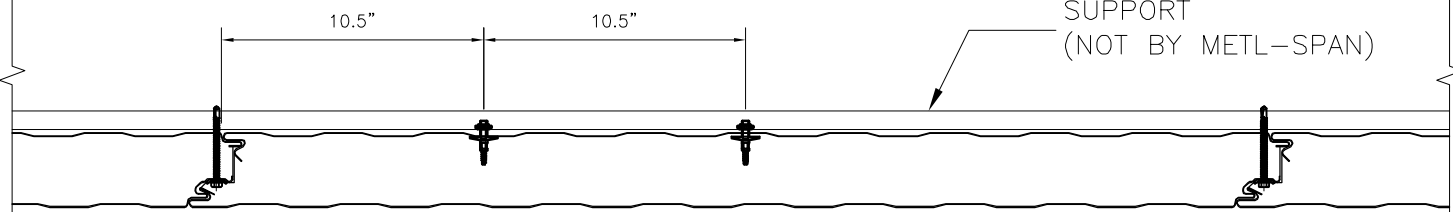


(FP2) SIDE JOINT AND (1) BLIND RIVET

SUPPORT
(NOT BY METL-SPAN)

10.5"

10.5"



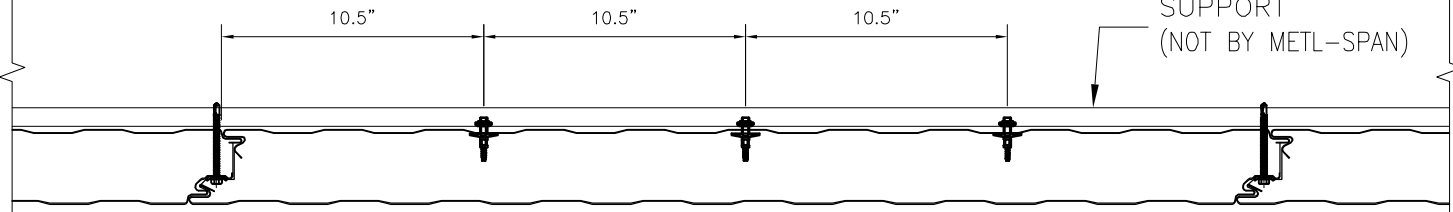
(FP3) SIDE JOINT AND (2) BLIND RIVETS

SUPPORT
(NOT BY METL-SPAN)

10.5"

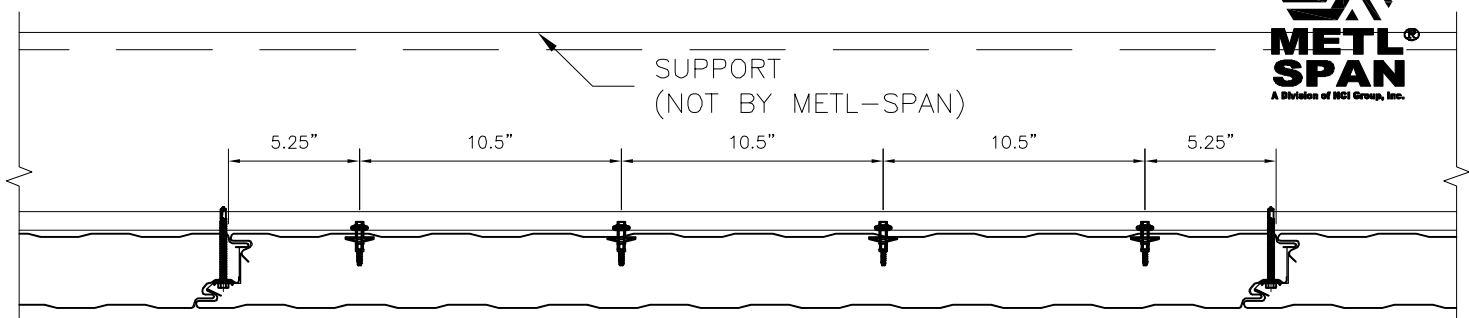
10.5"

10.5"

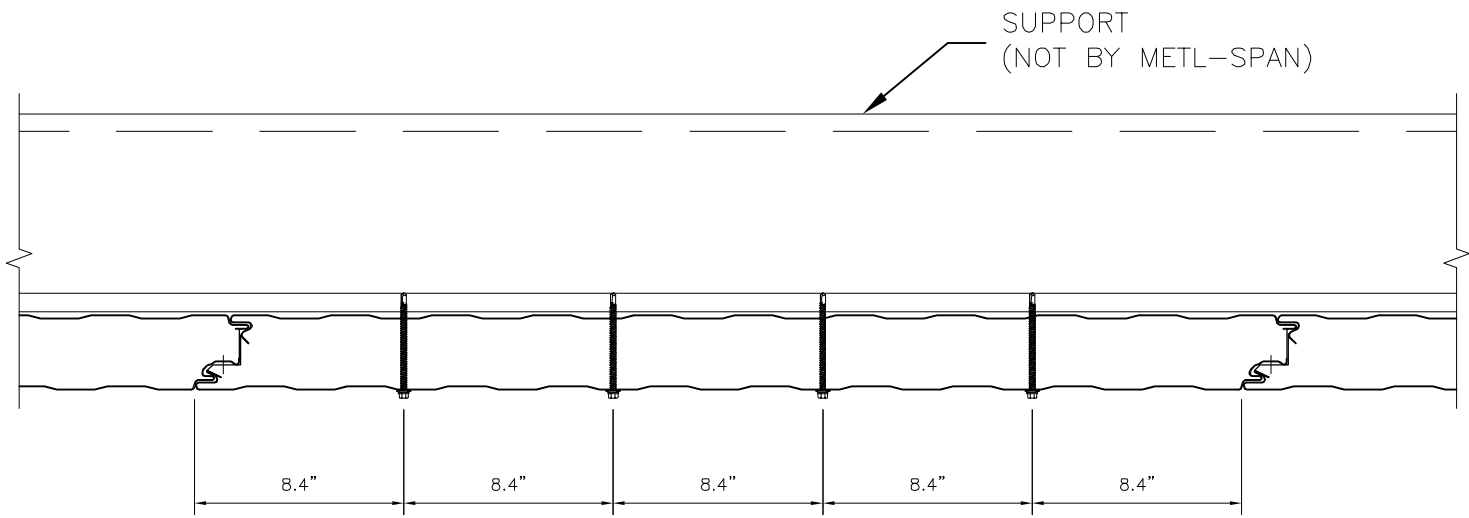


(FP4) SIDE JOINT AND (3) BLIND RIVETS

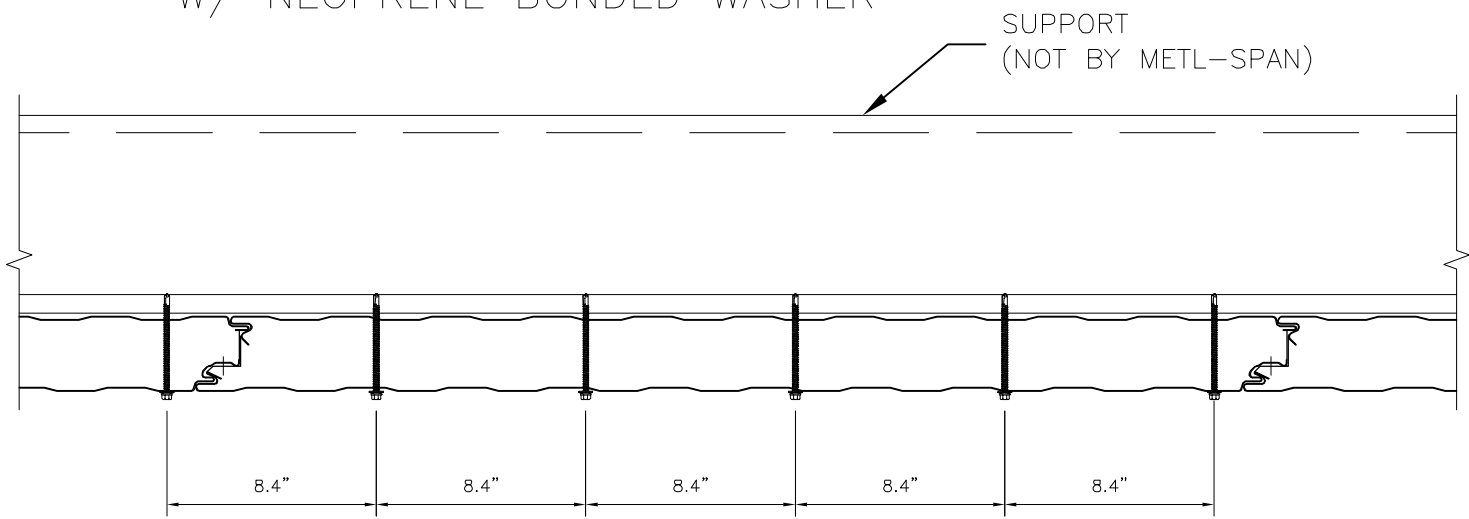
CF42 FASTENING PATTERNS



(FP5) SIDE JOINT AND (4) BLIND RIVETS



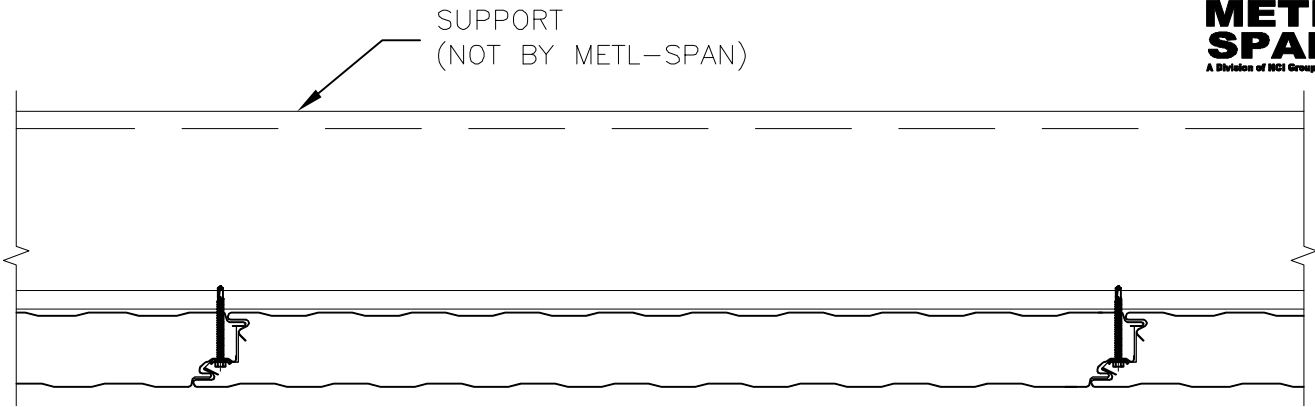
(FP9) (4) SELF-DRILLING OR SELF-TAPPING FASTENERS W/ NEOPRENE BONDED WASHER



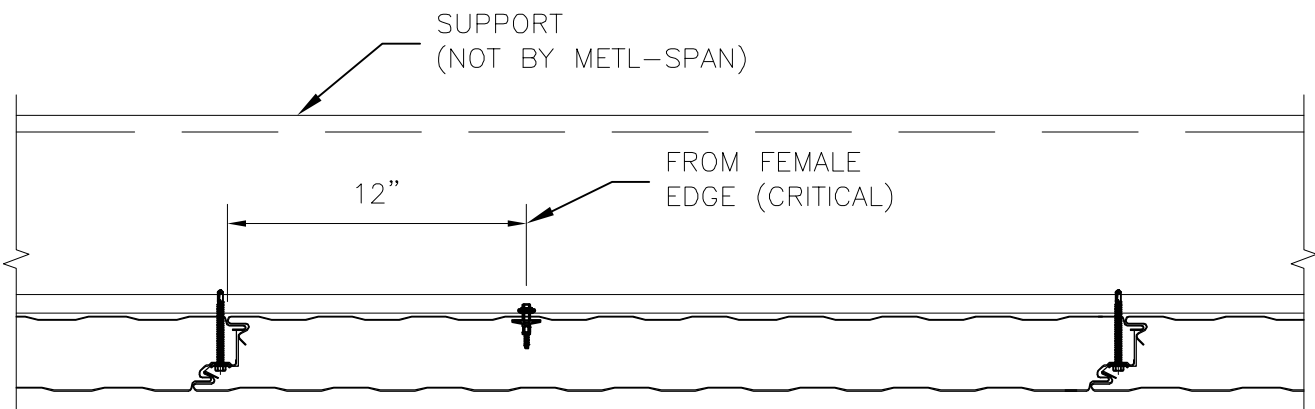
(FP10) (5) SELF-DRILLING OR SELF-TAPPING FASTENERS W/ NEOPRENE BONDED WASHER

CF42 FASTENING PATTERNS

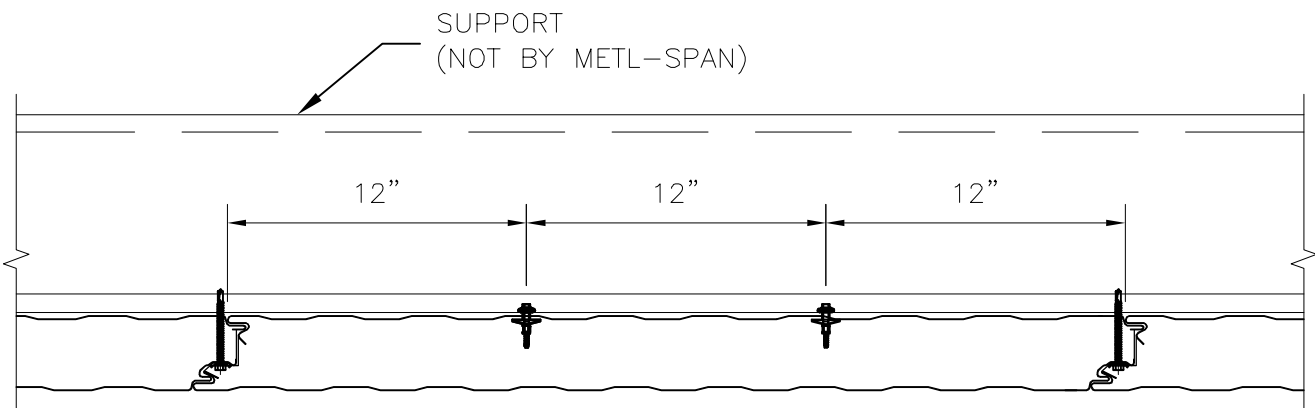
FASTENING PATTERNS	APPLICATION: FASTENING	2 of 2 DATE: MAY 15, 2015
---------------------------	-----------------------------------	-------------------------------------



(FP1) SIDE JOINT CLIP ONLY



(FP2) SIDE JOINT AND (1) BLIND RIVET



(FP3) SIDE JOINT AND (2) BLIND RIVETS

CF36 FASTENING PATTERNS