



TUFF T

ALUMINUM CEILING SUPPORT

The Metl-Span Tuff T aluminum support is an extruded aluminum T-shape that is suspended from roof-support members by hanger rods. The Tuff T aluminum support eliminates the time-consuming field routing of insulated ceiling panels and the use of splines, which make it difficult to level a ceiling. Tuff T is quick to install and is fully engineered to provide maximum support spacing.

Note: Tuff T is only sold in combination with Metl-Span panels for use in approved ceiling support applications

FEATURES

DESCRIPTION • 5" flange (5/32" thick), 2" web (5/16" thick) horizontal leg. Pre-drilled holes in the vertical leg are spaced at 6" on center for attachment to hanger rods. Pre-drilled holes in the horizontal flange are spaced at 12" on center on both sides of the vertical leg for attachment of panels.

MATERIAL • Aluminum

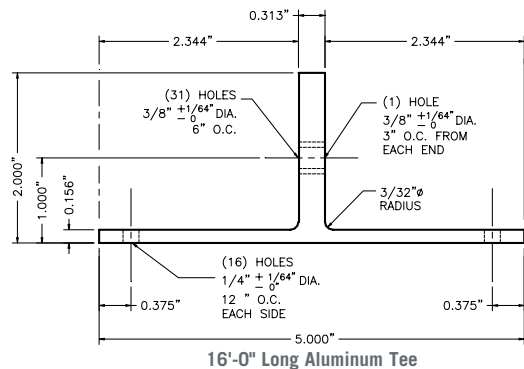
LENGTH • 16'

FINISH • Painted White

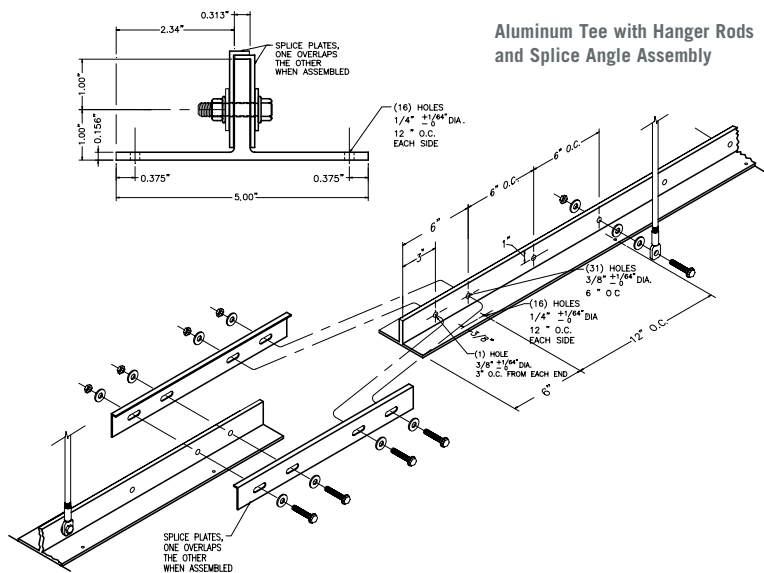
SPLICE PLATES • Splice plates are supplied by Metl-Span in heavy brake-form steel to connect 16' sections of Tuff T together

FASTENING

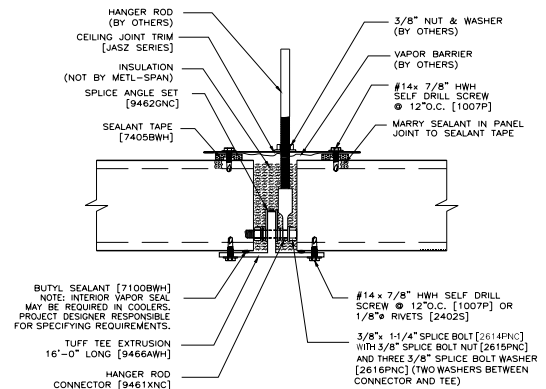
- Attachment to hanger rods is accomplished with a hanger rod connector, bolts and washers supplied by Metl-Span. Attachment of panels to the flange of the Tuff T is with tek screws or pop rivets.



16'-0" Long Aluminum Tee



Aluminum Tee with Hanger Rods and Splice Angle Assembly



Ceiling Butt Joint with Aluminum Tee

Metl-Span: Performance Redefined

1720 Lakepointe Drive, Suite 101, Lewisville, Texas 75057 (p) 877.585.9969 (f) 972.420.9382 metlspan.com

© 2019 Metl-Span, part of the Cornerstone Building Brands family. All Rights Reserved. Printed in the U.S.A.

PART# TTDS0616

TUFF T¹ – ALUMINUM CEILING SUPPORT SYSTEM^{5,6}

ALLOWABLE LIVE LOAD CHART^{3,4,7,8,9} (PSF)

PANEL THICKNESS	TEE SUPPORT SPAN ²	PANEL SPAN								
		8'	9'	10'	11'	12'	13'	14'	15'	16'
2"	4'	28.7	22.3	17.5	13.9	11.0	-	-	-	-
	5'	28.7	22.3	17.5	13.9	11.0	-	-	-	-
	6'	16.6	14.5	12.8	11.5	10.3	-	-	-	-
	7'	-	-	-	-	-	-	-	-	-
2½"	4'	39.5	31.5	25.3	20.5	16.7	13.7	11.2	-	-
	5'	31.3	27.6	24.6	20.5	16.7	13.7	11.2	-	-
	6'	17.6	15.4	13.6	12.2	11.0	-	-	-	-
	7'	10.2	-	-	-	-	-	-	-	-
3"	4'	49.0	40.8	33.4	27.5	22.8	19.0	15.9	13.3	11.2
	5'	33.0	29.1	26.0	23.4	21.3	19.0	15.9	13.3	11.2
	6'	18.5	16.2	14.4	12.9	11.6	10.5	-	-	-
	7'	10.8	-	-	-	-	-	-	-	-
4"	4'	48.8	43.1	38.6	34.9	31.7	28.6	24.3	20.8	18.0
	5'	36.5	32.1	28.7	25.8	23.5	21.5	19.8	18.3	17.0
	6'	20.5	17.9	15.9	14.2	12.8	11.7	10.7	-	-
	7'	12.0	10.4	-	-	-	-	-	-	-
5"	4'	48.7	43.0	38.4	34.7	31.6	28.9	26.7	24.0	20.8
	5'	38.4	33.9	30.2	27.2	24.7	22.6	20.8	19.3	17.9
	6'	22.1	19.4	17.2	15.4	13.9	12.6	11.5	10.6	-
	7'	13.0	11.2	-	-	-	-	-	-	-
6"	4'	48.5	42.8	38.3	34.3	31.4	28.8	26.5	24.6	22.9
	5'	38.3	33.7	30.0	27.1	24.6	22.5	20.7	19.1	17.7
	6'	23.8	20.8	18.4	16.5	14.9	13.5	12.4	11.4	10.5
	7'	13.9	12.1	10.6	-	-	-	-	-	-

NOTES:

- 5" flange (5/32" thick), 2" web (5/16" thick) supplied by Metl-Span.
- Rod Spacing.
- Based on testing CF-45, Light Mesa panel with 26 ga. exterior & interior face (min Fy = 33 ksi) with single span condition over aluminum tee beam.
- Applicable to panel widths of 44.5" or narrower with Mesa or Light Mesa profiles.
- Aluminum tee beams (6063-T6) are supported by 3/8" diameter hanging rods (min 60 ksi).
- The allowable stresses for tee beam were calculated in accordance with 2005 and 2010 Aluminum Design Manual for use with IBC 2009 and 2012, respectively.
- The allowable loads are calculated with the following safety factors: 2.5 for panel bending failure, 3.0 for panel shear failure and 3.0 for hanger rod connection failure.
- W = Allowable uniform live load (psf). Panel (dead) weight has been deducted from the above loads.
- The structural capacity of the panel assembly, tee beam hanger, tee beam connection to rod, and rod are considered.
- All other structural support members and connections must be examined independently.

Descriptions and specifications contained herein were in effect at the time this publication was approved for printing. In a continuing effort to refine and improve products, Metl-Span reserves the right to discontinue products at any time or change specifications and/or designs without incurring obligation. To ensure you have the latest information available, please inquire or visit our website at metlspan.com.