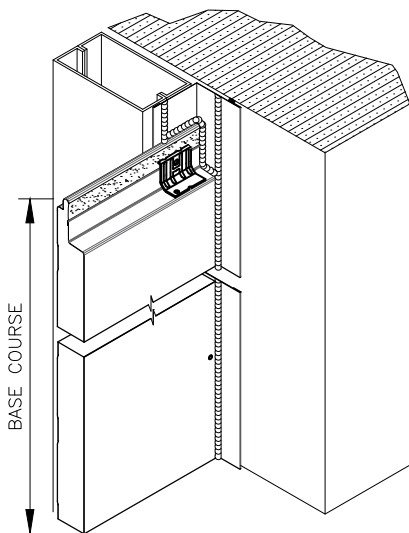
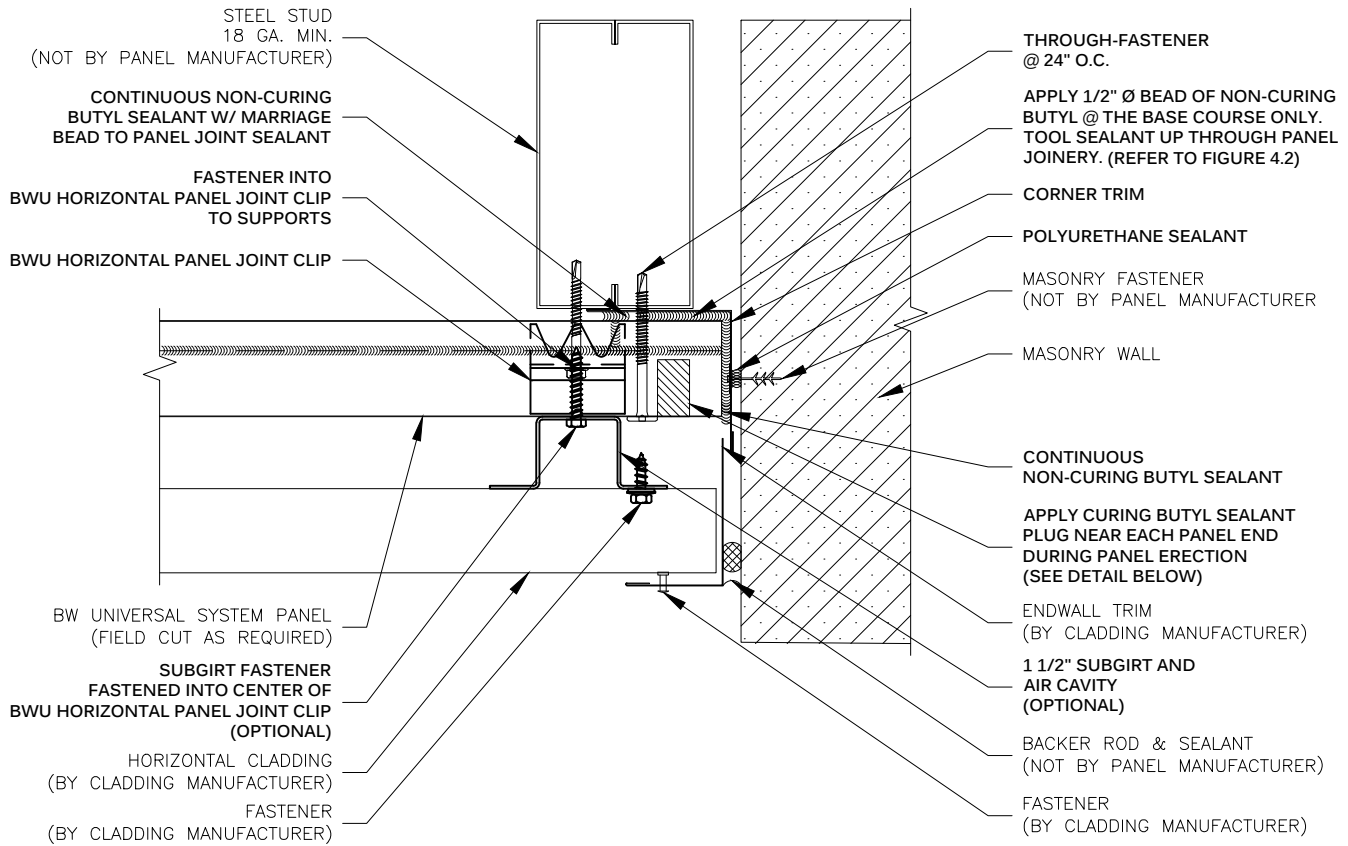


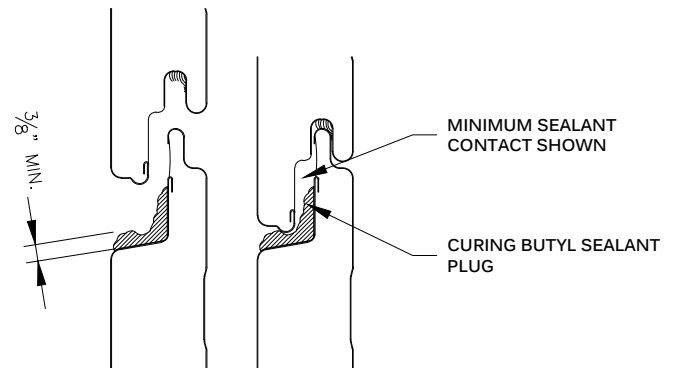


**METL SPAN**<sup>®</sup>  
INSULATED METAL PANELS

**NOTE:**  
THESE DETAILS ARE FOR INSTALLATION AND SEALING OF BW UNIVERSAL SYSTEM PANELS ONLY. FOR INSTALLATION AND SEALING REQUIRED FOR CLADDING, SEE STANDARD DETAILS FOR SPECIFIC CLADDING.



**FIGURE 4.2**



**SEALANT PLUG DETAIL**

APPLY SEALANT AS PANELS ARE ERECTED

**HORIZONTAL PANEL JOINT CLIP  
ENDWALL  
BW UNIVERSAL SYSTEM™**

DRAWING NO: <b>BWU-HPJC-EW-01</b>	
DATE: <b>Feb '20</b>	REV: <b>00</b>