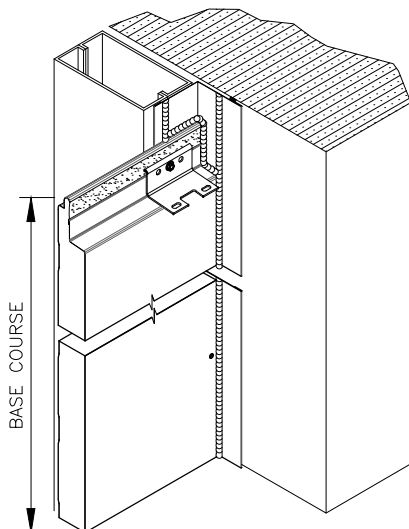
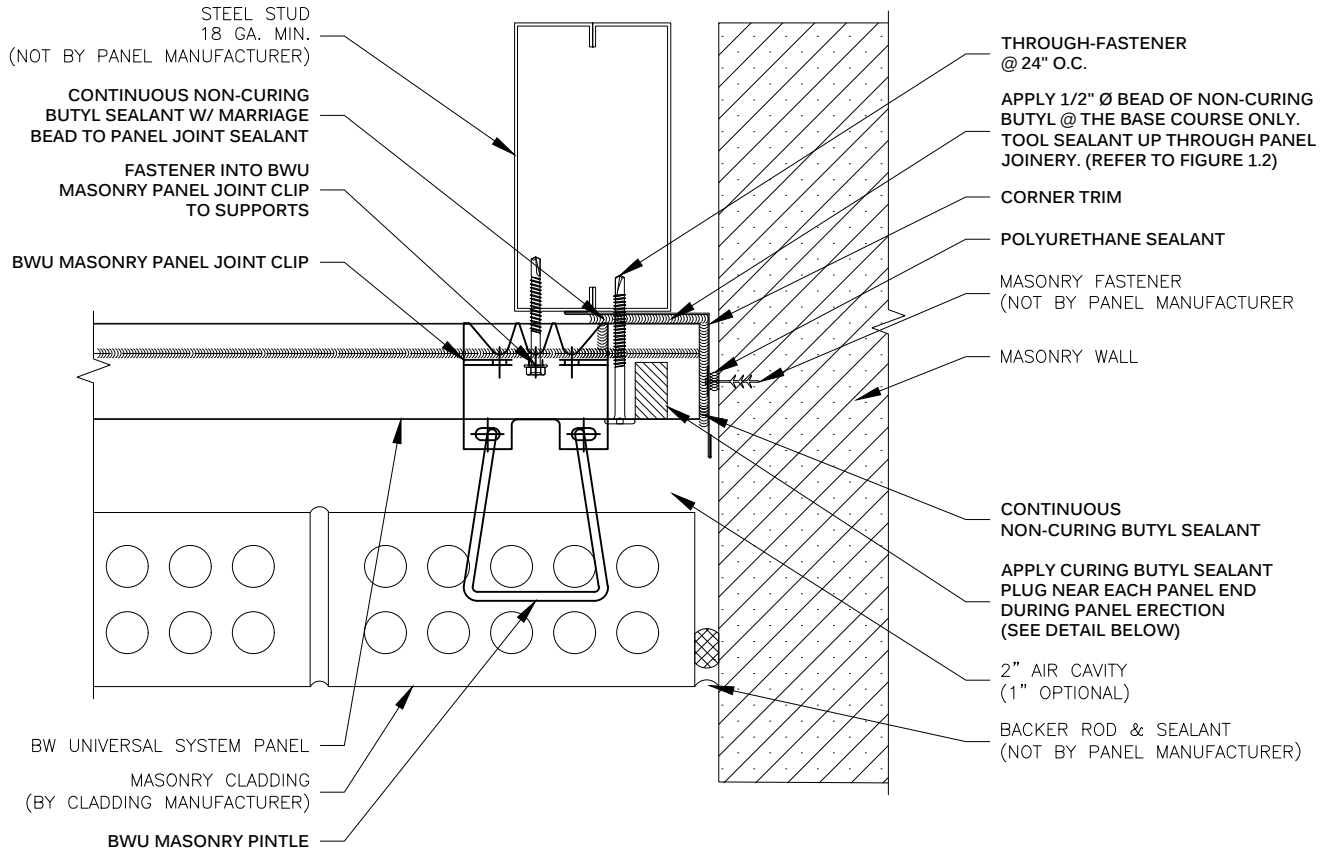


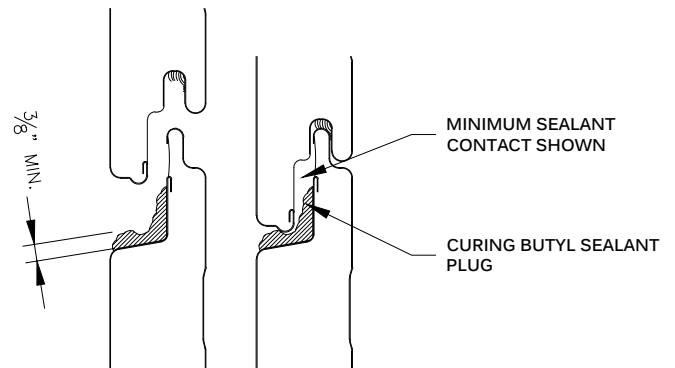


**METL SPAN**  
INSULATED METAL PANELS

**NOTE:**  
THESE DETAILS ARE FOR INSTALLATION AND SEALING OF BW UNIVERSAL SYSTEM PANELS ONLY. FOR INSTALLATION AND SEALING REQUIRED FOR CLADDING, SEE STANDARD DETAILS FOR SPECIFIC CLADDING.



**FIGURE 3.2**



**SEALANT PLUG DETAIL**

APPLY SEALANT AS PANELS ARE ERECTED

**MASONRY PANEL JOINT CLIP  
ENDWALL  
BW UNIVERSAL SYSTEM™**

DRAWING NO:  
**BWU-MAS-EW-01**

DATE: **Feb '20** REV: **00**