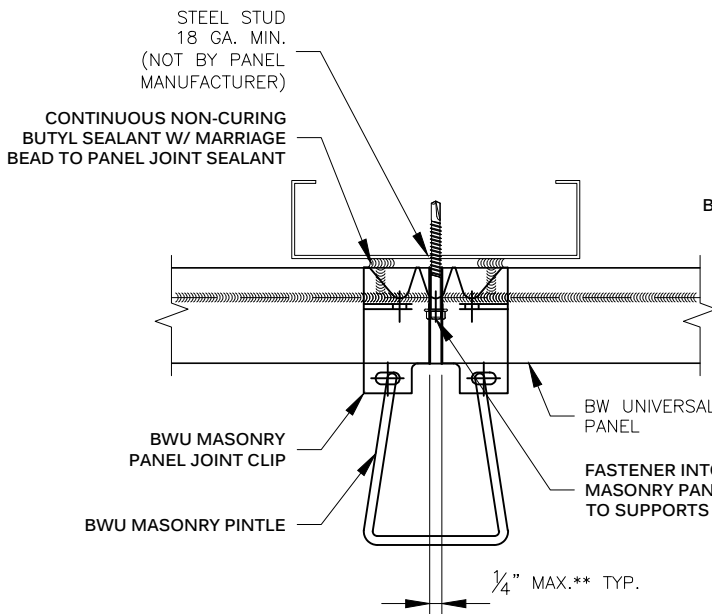


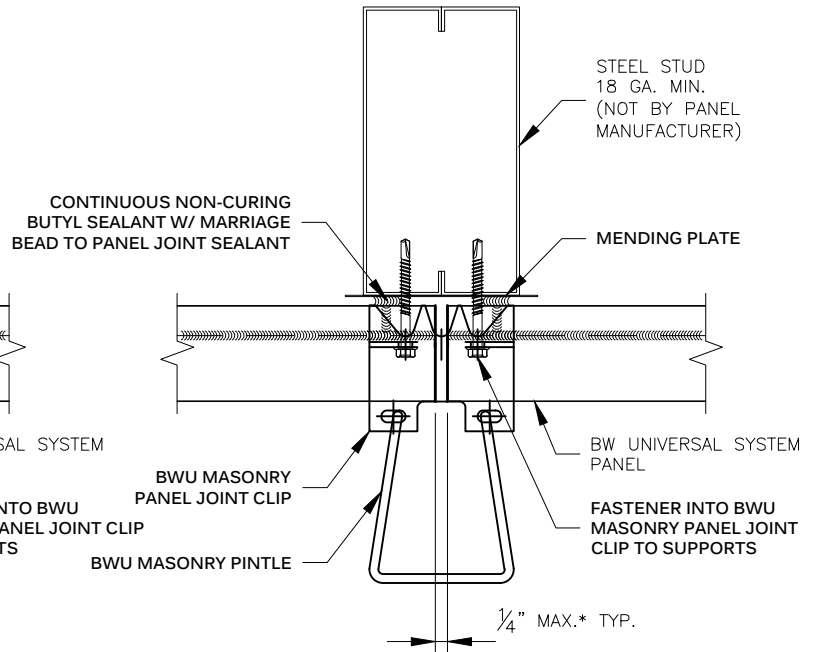


**METL SPAN**<sup>®</sup>  
INSULATED METAL PANELS

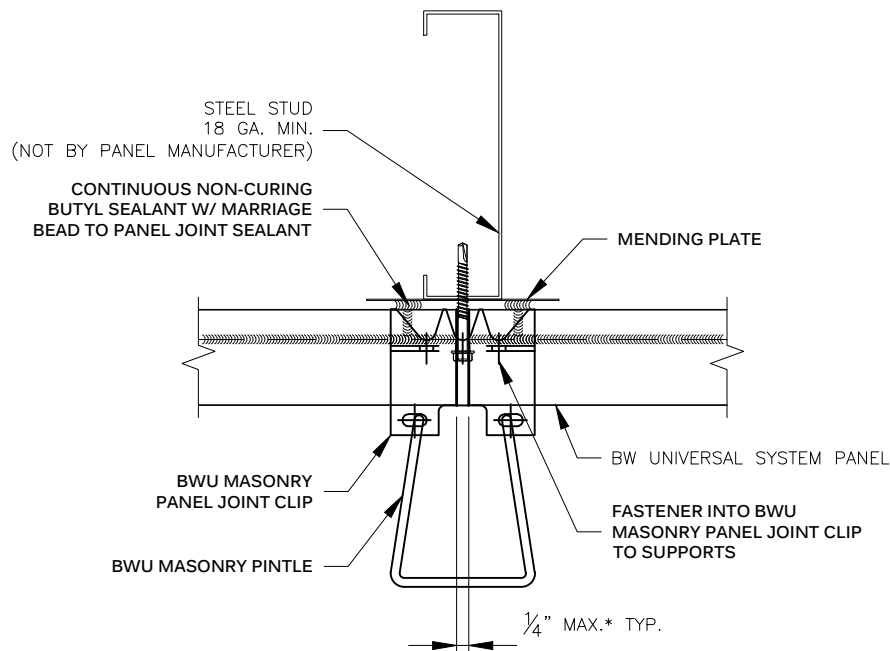
**NOTE:**  
THESE DETAILS ARE FOR INSTALLATION AND SEALING OF BW UNIVERSAL SYSTEM PANELS ONLY. FOR INSTALLATION AND SEALING REQUIRED FOR CLADDING, SEE STANDARD DETAILS FOR SPECIFIC CLADDING.



**VERTICAL JOINT**  
**NOT @ \*\*STUD**



**VERTICAL JOINT**  
**@ DOUBLE STUD**



**VERTICAL JOINT**  
**@ SINGLE STUD**

**NOTE:**  
\* WITHOUT THE NEED TO ADD ADDITIONAL LOW EXPANSION FOAM  
\*\* LIMITED TO STANDARD 16" TO 24" STUD SPACING

**MASONRY PANEL JOINT CLIP**  
**VERTICAL JOINT**  
**BW UNIVERSAL SYSTEM™**

DRAWING NO: <b>BWU-MAS-VJ-01A</b>	
DATE: <b>Feb '20</b>	REV: <b>00</b>