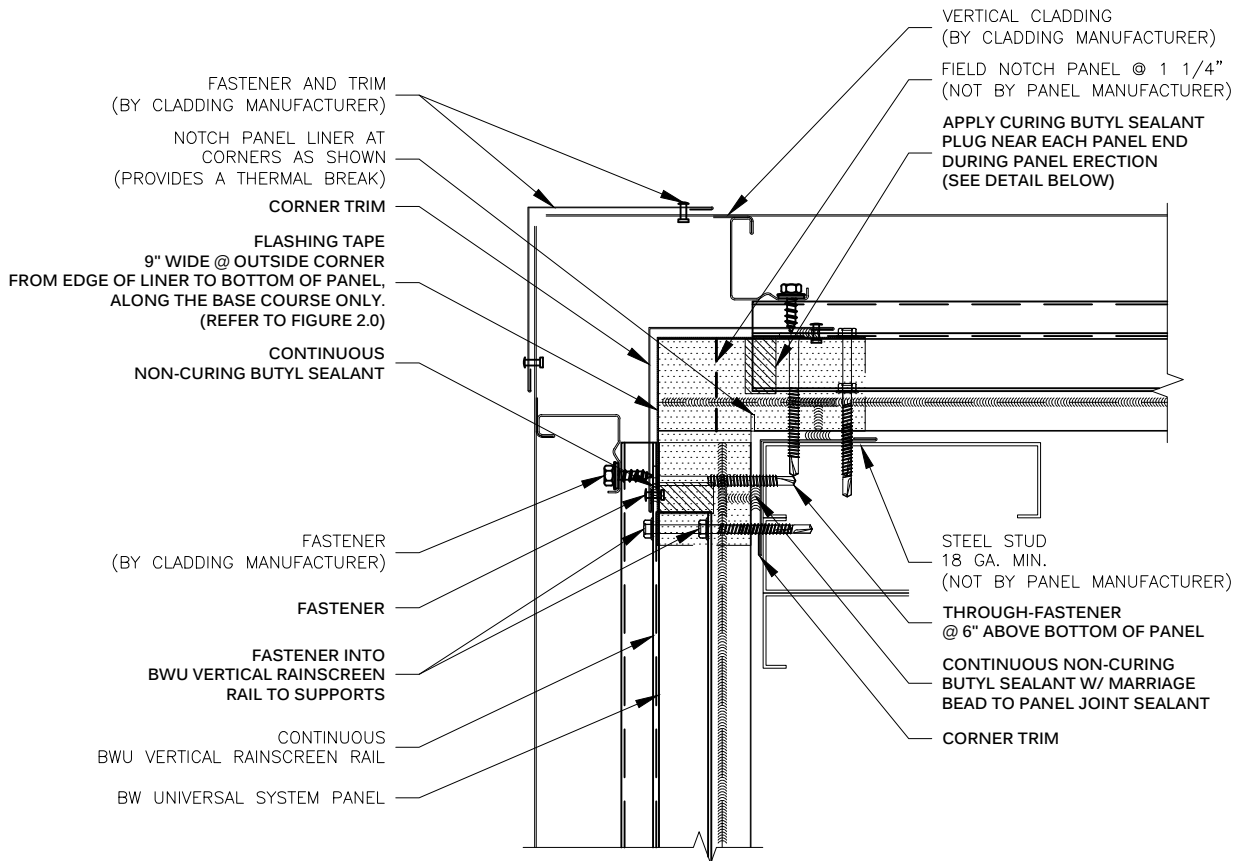




METL SPAN®
INSULATED METAL PANELS

NOTE:
THESE DETAILS ARE FOR INSTALLATION AND SEALING
OF BWU UNIVERSAL SYSTEM PANELS ONLY. FOR
INSTALLATION AND SEALING REQUIRED FOR CLADDING,
SEE STANDARD DETAILS FOR SPECIFIC CLADDING.



FLASHING TAPE, 9" WIDE
FROM EDGE OF THE LINER
TO THE BOTTOM OF THE PANEL
ALONG THE BASE COURSE ONLY

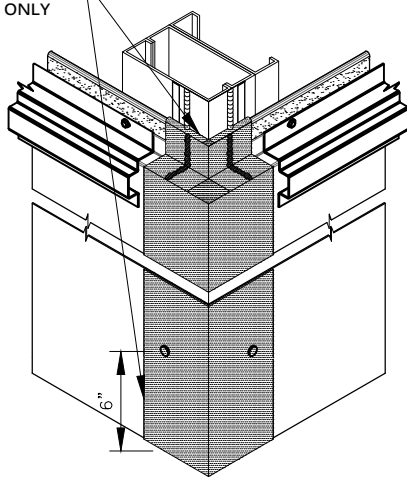
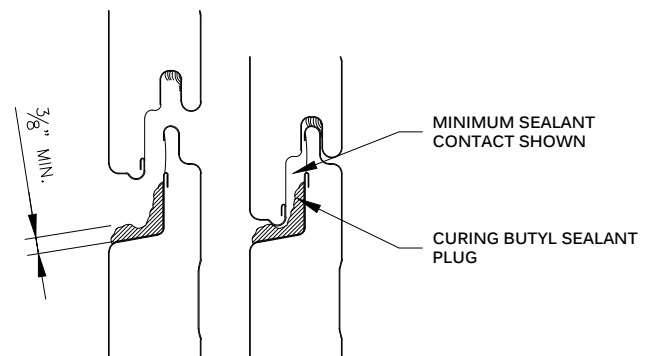


FIGURE 2.0



SEALANT PLUG DETAIL

APPLY SEALANT
AS PANELS ARE ERECTED

**VERTICAL RAINSCREEN RAIL
OUTSIDE CORNER
BW UNIVERSAL SYSTEM™**

DRAWING NO: BWU-VRAIL-CE-01	
DATE: Feb '20	REV: 00