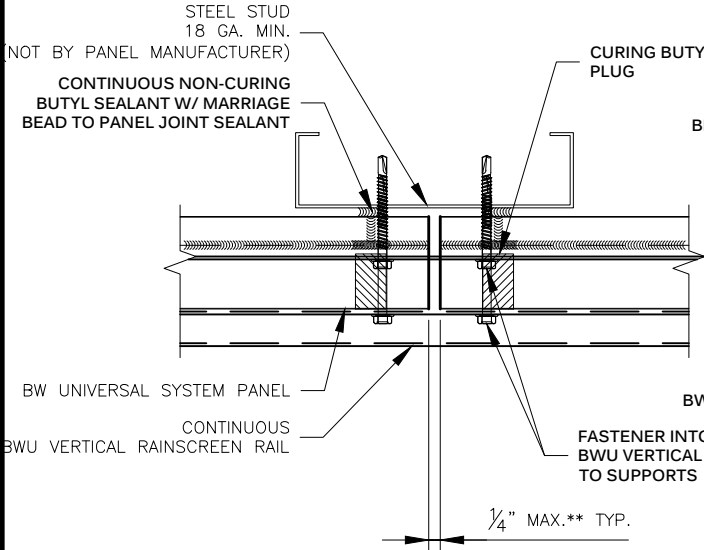


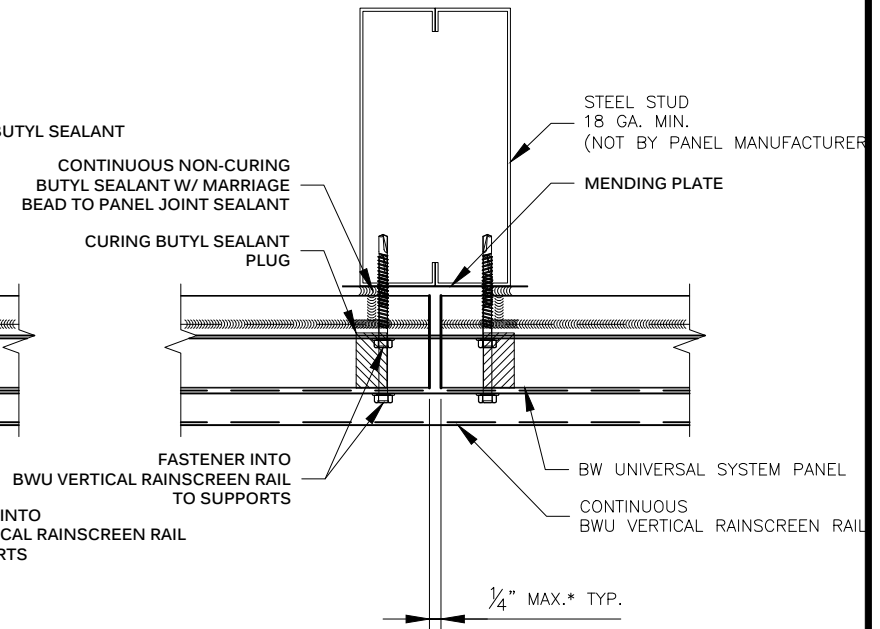


METL SPAN®
INSULATED METAL PANELS

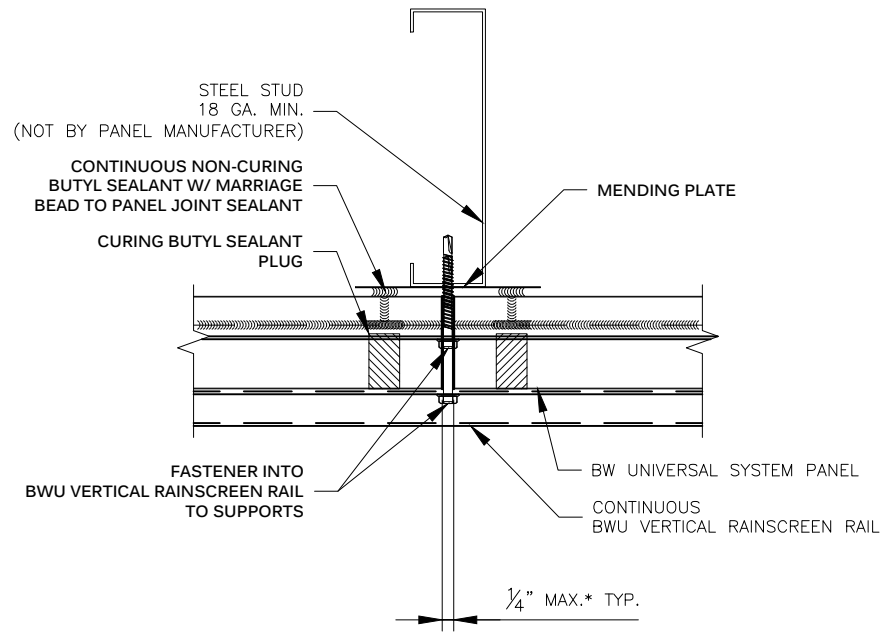
NOTE:
THESE DETAILS ARE FOR INSTALLATION AND SEALING OF BW UNIVERSAL SYSTEM PANELS ONLY. FOR INSTALLATION AND SEALING REQUIRED FOR CLADDING, SEE STANDARD DETAILS FOR SPECIFIC CLADDING.



**VERTICAL JOINT
NOT @ **STUD**



**VERTICAL JOINT
@ DOUBLE STUD**



**VERTICAL JOINT
@ SINGLE STUD**

NOTE:
* WITHOUT THE NEED TO ADD ADDITIONAL LOW EXPANSION FOAM
** LIMITED TO STANDARD 16" TO 24" STUD SPACING

**VERTICAL RAINSCREEN RAIL
VERTICAL JOINT w/ 3/4" SUBGIRT
BW UNIVERSAL SYSTEM™**

DRAWING NO: BWU-VRAIL-VJ-01A	
DATE: Feb '20	REV: 00