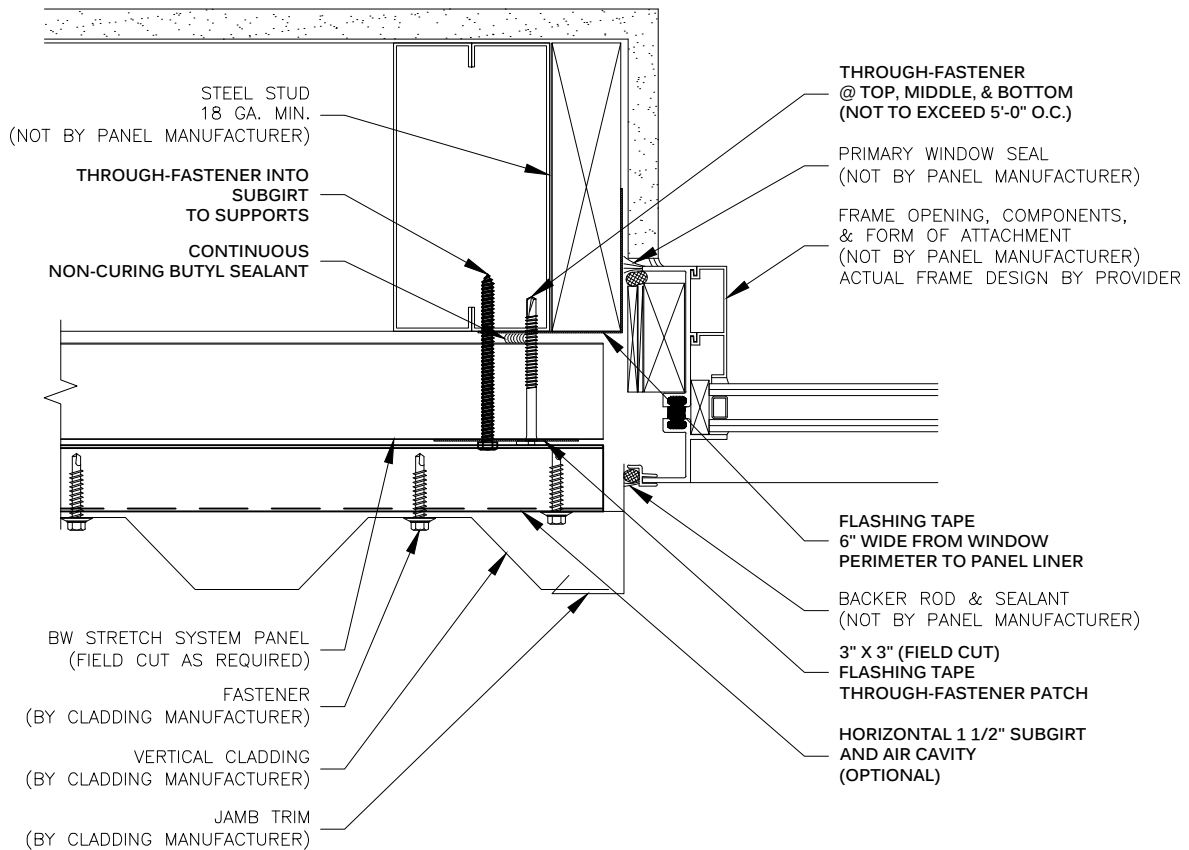




METL-SPAN®
INSULATED METAL PANELS

NOTE:
THESE DETAILS ARE FOR INSTALLATION AND SEALING OF BW UNIVERSAL SYSTEM PANELS ONLY. FOR INSTALLATION AND SEALING REQUIRED FOR CLADDING, SEE STANDARD DETAILS FOR SPECIFIC CLADDING.

*EQUAL SPACINGS TO BE 12" MIN./24" MAX. FINAL SPACINGS PER WIND LOAD REQUIREMENTS. CONTACT METL-SPAN'S ENGINEERING DEPARTMENT.



**VERTICAL PANEL JOINT CLIP
JAMB - w/ HORIZONTAL SUBGIRT
BW STRETCH SYSTEM™**

DRAWING NO:

BWS-VPJC-HS-JB-01

DATE:

Mar '20

REV:

00