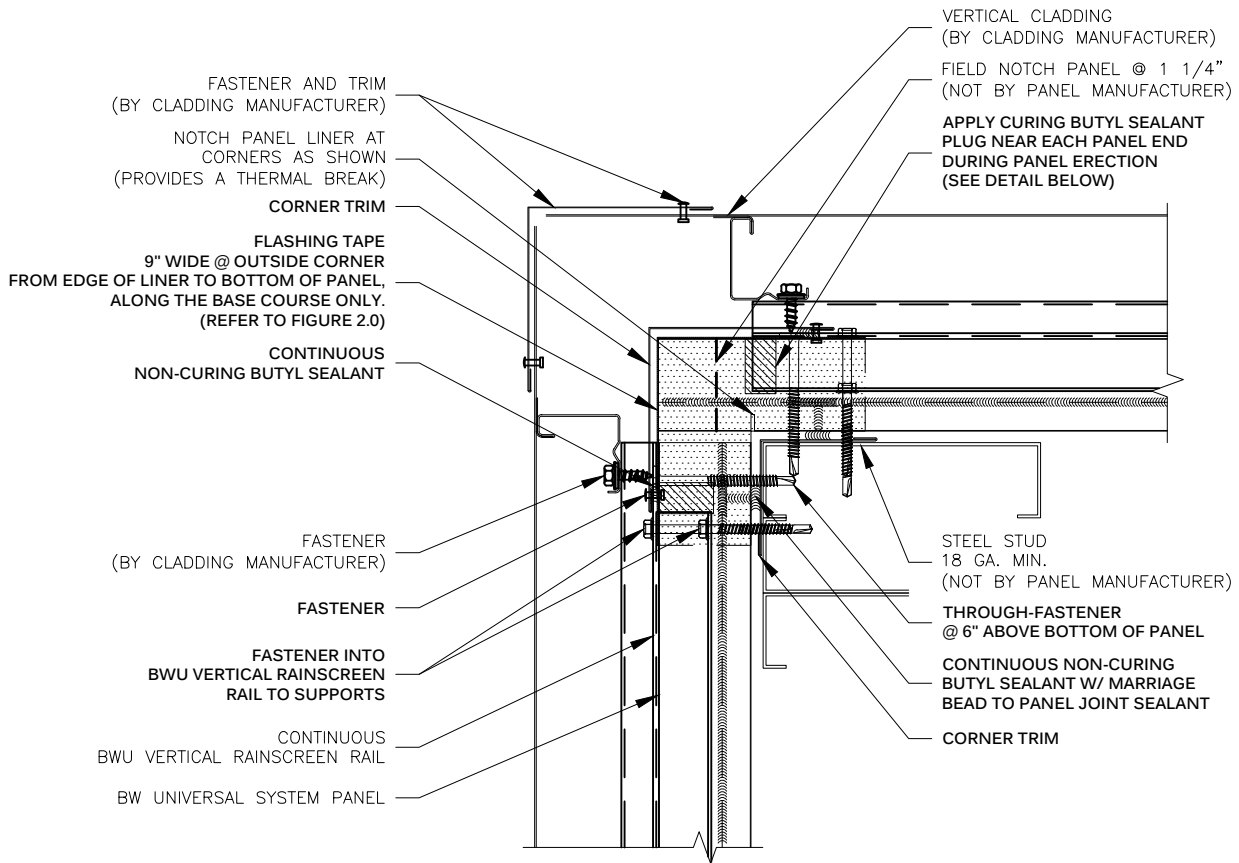


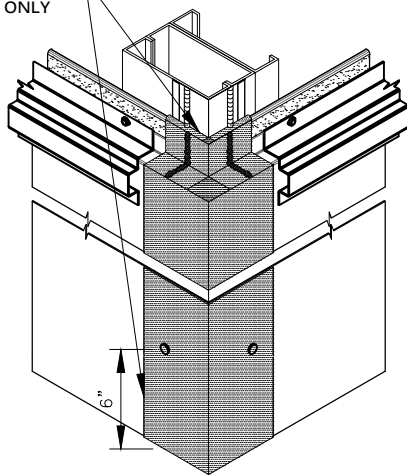


**METL SPAN**<sup>®</sup>  
INSULATED METAL PANELS

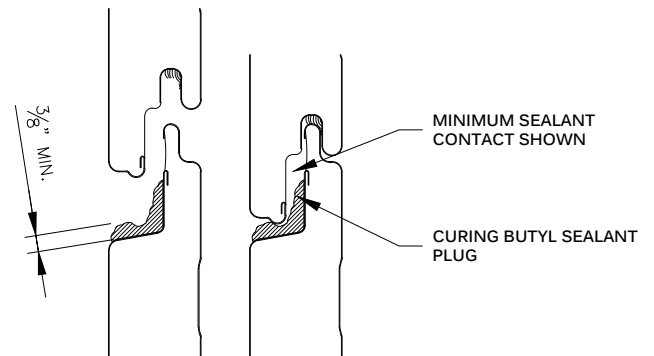
**NOTE:**  
THESE DETAILS ARE FOR INSTALLATION AND SEALING  
OF BWU UNIVERSAL SYSTEM PANELS ONLY. FOR  
INSTALLATION AND SEALING REQUIRED FOR CLADDING,  
SEE STANDARD DETAILS FOR SPECIFIC CLADDING.



FLASHING TAPE, 9" WIDE  
FROM EDGE OF THE LINER  
TO THE BOTTOM OF THE PANEL  
ALONG THE BASE COURSE ONLY



**FIGURE 2.0**



**SEALANT PLUG DETAIL**

APPLY SEALANT  
AS PANELS ARE ERECTED

**VERTICAL RAINSCREEN RAIL  
OUTSIDE CORNER  
BW UNIVERSAL SYSTEM™**

DRAWING NO:  
**BWU-VRAIL-CE-01**

DATE: Feb '20 REV: 00