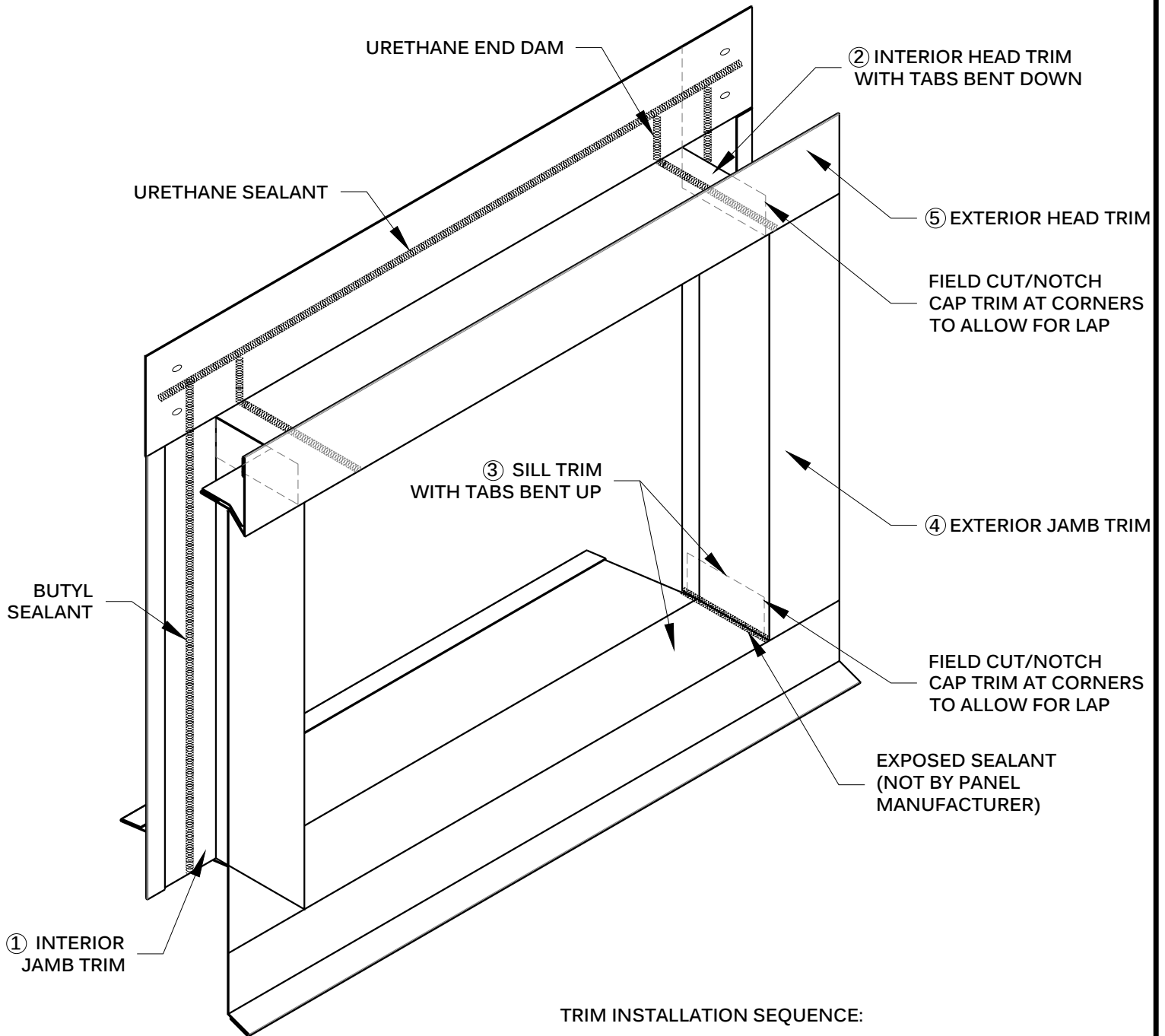


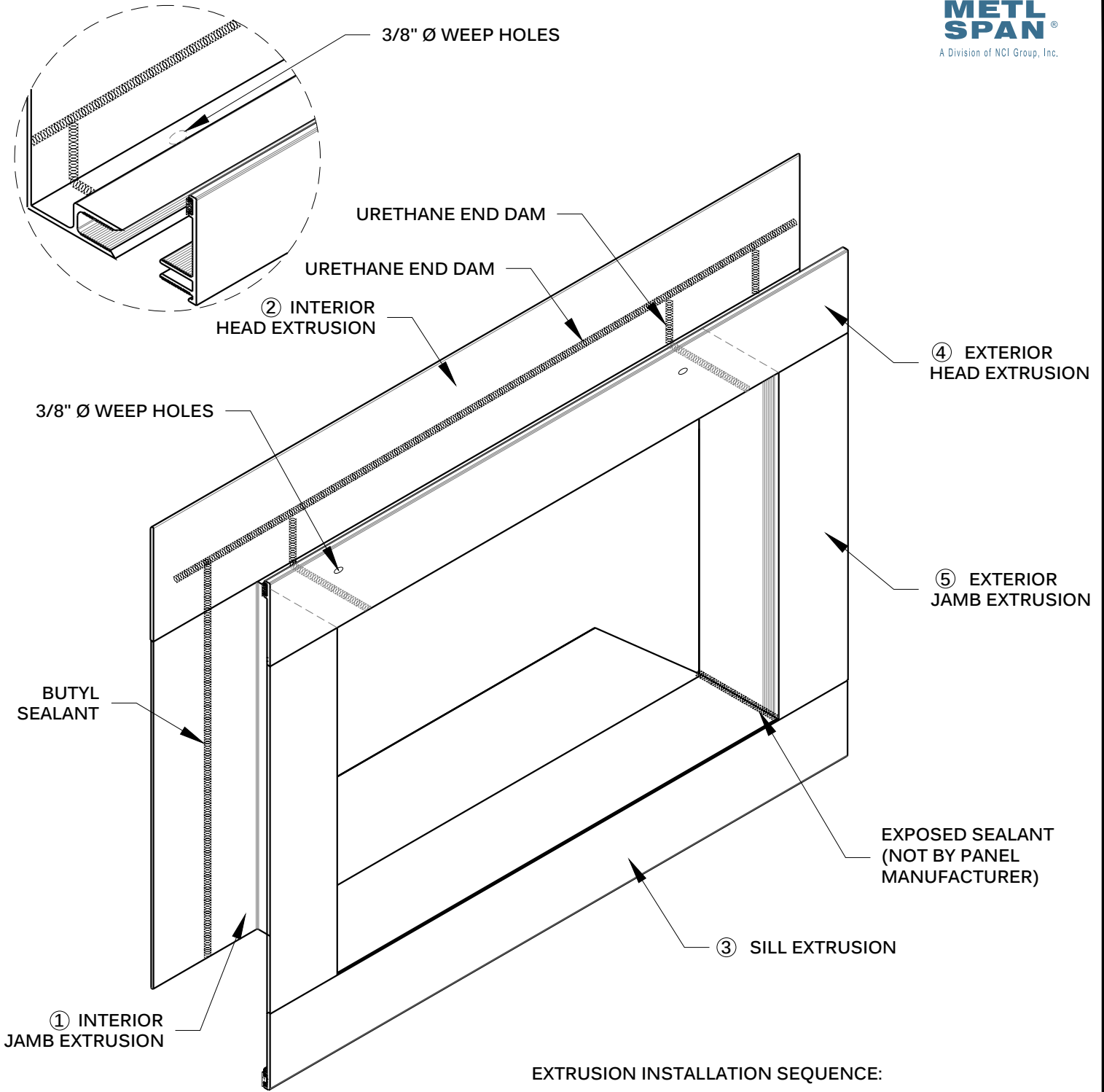
AR-CF-AS-01	TRIM ASSEMBLY - FRAMED OPENING
AR-CF-AS-02	EXTRUSION ASSEMBLY - FRAMED OPENINGS
AR-CF-5G-0'	METL-VISION - SILL
5F!7: !5G!\$(	METL-VISION - HEAD
5R!7: !5G!\$)	METL-VISION - INTERMEDIATE HORIZ. MULLION
AR-CF-AS-06	METL-VISION - JAMB W/GASKET
AR-CF-AS-07	METL-VISION - INTERMEDIATE VERT. MULLION
AR-CF-AS-08	METL-VISION - JAMB W/WET SEAL



**TRIM INSTALLATION SEQUENCE:**

- ① INTERIOR JAMB TRIMS
- ② INTERIOR HEAD TRIM WITH TABS BENT DOWN (NOTCHED)
- ③ SILL TRIM WITH TABS BENT UP (NOTCHED)
- ④ EXTERIOR JAMB TRIMS
- ⑤ EXTERIOR HEAD TRIM

**NOTE:**  
WINDOWS MUST BE RECESSED



**EXTRUSION INSTALLATION SEQUENCE:**

- ① INTERIOR JAMB EXTRUSIONS
- ② INTERIOR HEAD EXTRUSION (NOTCHED)
- ③ SILL EXTRUSION (NOTCHED)
- ④ EXTERIOR HEAD EXTRUSION (NOTCHED)
- ⑤ EXTERIOR JAMB EXTRUSIONS

**NOTE:**  
WINDOWS MUST BE RECESSED

