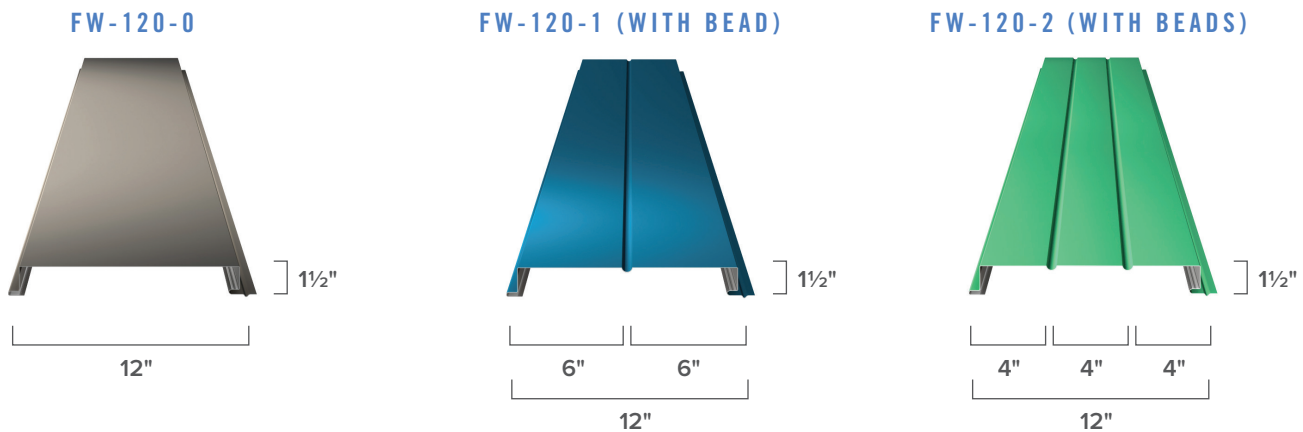




# FW-120

## CONCEALED FASTENER SINGLE-SKIN METAL PANELS

The FW-120 Panel is a concealed fastener wall-and-liner panel that provides a flat appearance. FW-120 is commonly used for architectural, commercial and industrial markets. The heavy gauge offering allows for large spanning capabilities, particularly in composite wall applications. The panel is available in a flat profile, with one or two beads.



### PRODUCT SPECIFICATIONS

**PROFILE** • Flat with options of one bead at 6" o.c. or two beads 4" apart

**WIDTH** • 12"

**LENGTH** • 5'-0" to 30'-0"

**EXTERIOR FACE** • AZ-50 aluminum-zinc coated steel in 24, 22 and 20 Ga.

**STANDARD EXTERIOR** • Full-Strength 70% PVDF Fluoropolymer Coating

**FINISHES & COLORS** • Please see reverse side for all available colors. Please inquire where order minimums apply.

**FASTENING** • Concealed fastening system

Metl-Span: Performance Redefined

1720 Lakepointe Drive, Suite 101, Lewisville, Texas 75057 (p) 877.585.9969 (f) 972.420.9382 [metlspan.com](http://metlspan.com)

© 2019 Metl-Span, part of the Cornerstone Building Brands family. All Rights Reserved. Printed in the U.S.A.

PART# FWSSDS0716

# FW-120 METAL PANEL COLORS

PANEL NAME		FW-120 PANEL		
AVAILABLE GAUGES		24 GA.	22 GA.	20 GA.
<b>Standard II</b>	Brownstone	•	OM	OM
	Almond	•	OM	OM
<b>Premium I</b>	Harbor Blue	•	OM	OM
	Pacific Blue	•	OM	OM
	Colonial Red	•	OM	OM
	Brite Red	•	OM	OM
	Slate Gray	•	OM	OM
	Tundra	•	OM	OM
	Snow White	•	•	•
	Natural Patina	•	OM	OM
	Spruce	•	OM	OM
	Hunter Green	•	OM	OM
	Classic Green	•	OM	OM
	Medium Bronze	•	OM	OM
<b>Premium II Metallic</b>	Copper Metallic	•	CF	CF
	Silver Metallic	•	CF	CF
<b>Standard SP</b>	Light Stone	•	CF	CF
	Ash Gray	•	CF	CF
<b>Premium SP</b>	Hawaiian Blue	•	CF	CF
	Fern Green	•	CF	CF
	Burnished Slate	•	CF	CF
	Koko Brown	•	CF	CF
	Charcoal Gray	•	CF	CF
	Rustic Red	•	CF	CF
	Solar White	•	CF	CF

• = Available with no order minimums required

OM = Available with order minimums CF = Contact factory for availability

Standard II & Premium I: Full-Strength 70% PVDF Fluoropolymer Coating

Standard SP & Premium SP: Siliconized Polyester Coating

Descriptions and specifications contained herein were in effect at the time this publication was approved for printing. In a continuing effort to refine and improve products, Metl-Span reserves the right to discontinue products at any time or change specifications and/or designs without incurring obligation. To ensure you have the latest information available, please inquire or visit our website at [metlspan.com](http://metlspan.com).