



# SUPER-RIB WITH LINER PANEL

APPLICATION  
SINGLE SKIN WALL PANEL

APPLICATION:  
ARCHITECTURAL

COVER

DRAWING NO:

DATE:

JUN '21

REV:

00

## INDEX:

PAGE	
3	HEAD OPENING
4	BASE AT SLAB
5	JAMB OPENING
6	BASE AT CURB
7	ENDLAP
8	SILL
9	ENDWALL
10-11	OUTSIDE CORNER
12-13	INSIDE CORNER
14	PARAPET
15	EXPANSION JOINT
16-18	PENETRATION

APPLICATION:  
ARCHITECTURAL

INDEX SHEET

DRAWING NO:

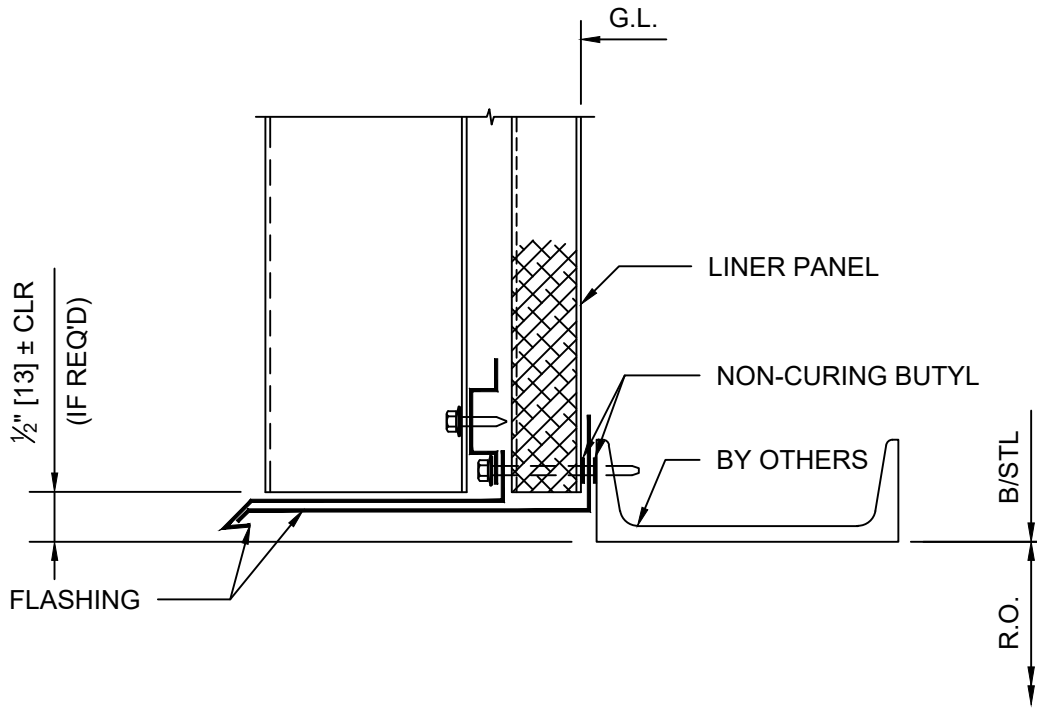
SR-INDEX-01

DATE:

JUN '21

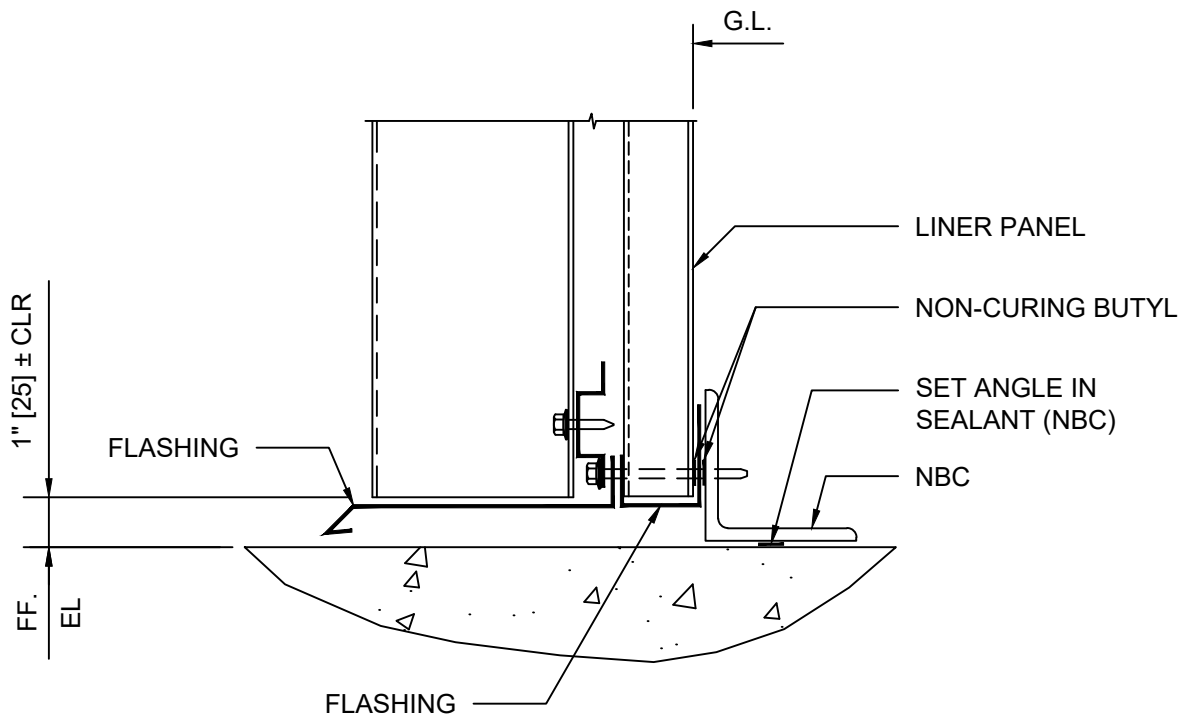
REV:

1 00



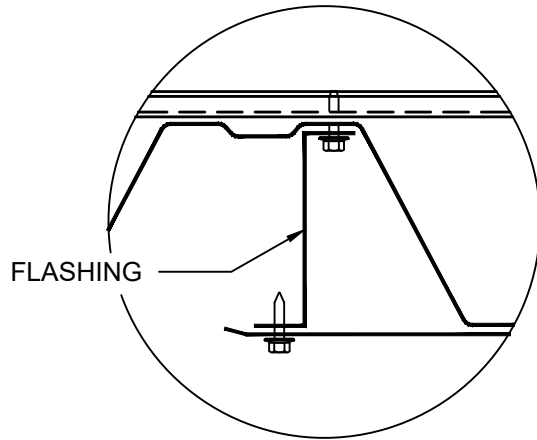
**DETAIL 4**  
HEAD OPENING - INSULATED

\*DETAILS SHOWN ARE FOR PROMOTIONAL USE ONLY.  
THESE DETAILS SHOULD NOT FOR ANY REASON BE  
USED FOR CONSTRUCTION PURPOSES.

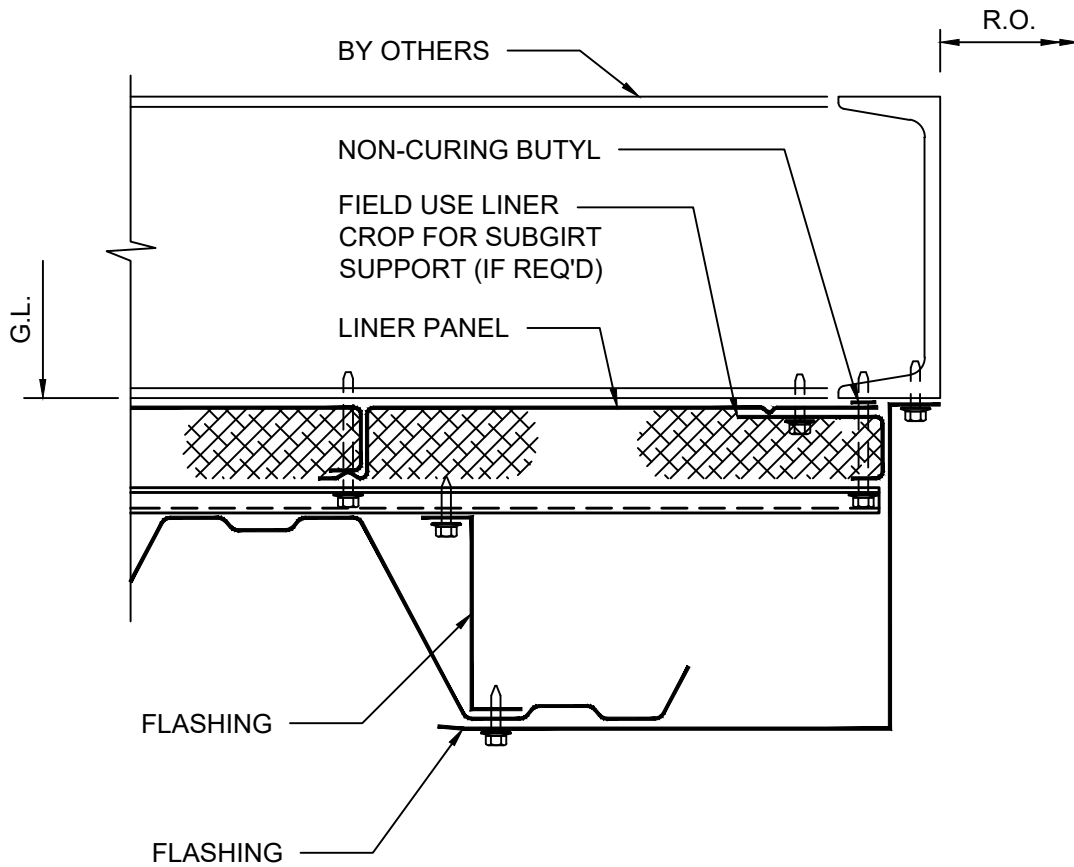


**DETAIL 3**  
BASE AT SLAB - INSULATED

\*DETAILS SHOWN ARE FOR PROMOTIONAL USE ONLY.  
THESE DETAILS SHOULD NOT FOR ANY REASON BE  
USED FOR CONSTRUCTION PURPOSES.

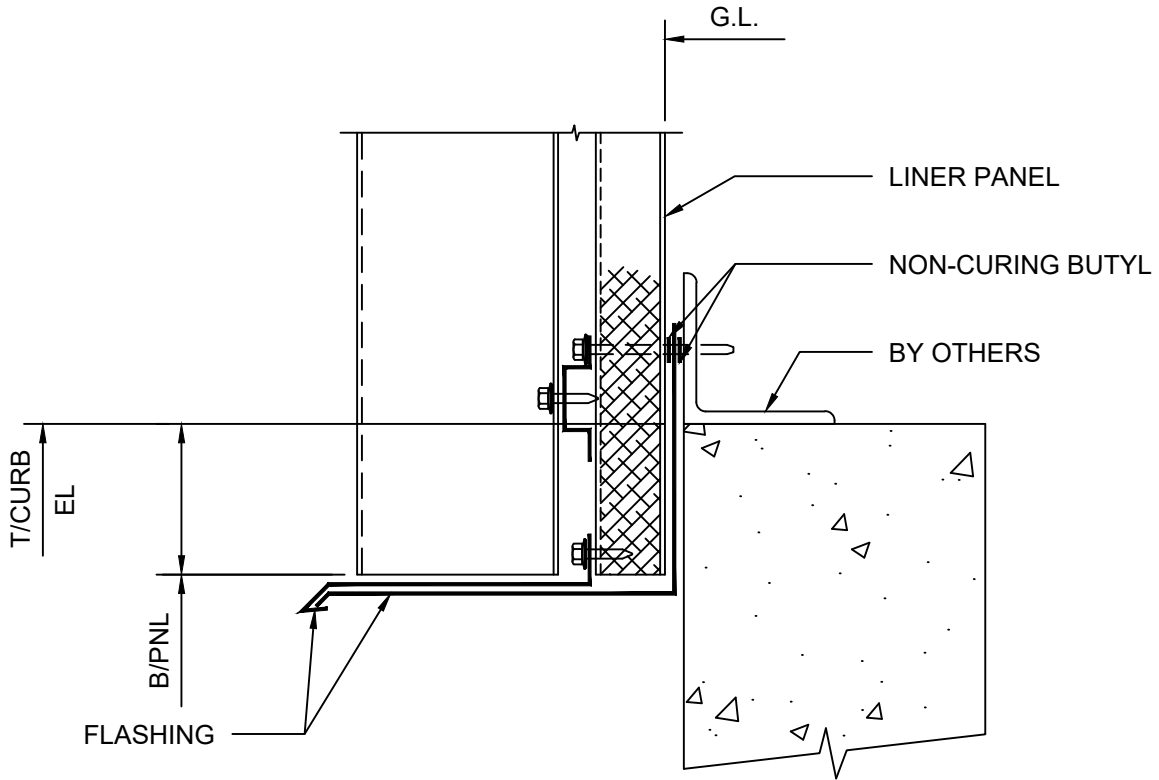


**OPTIONAL LOW CELL DETAIL**



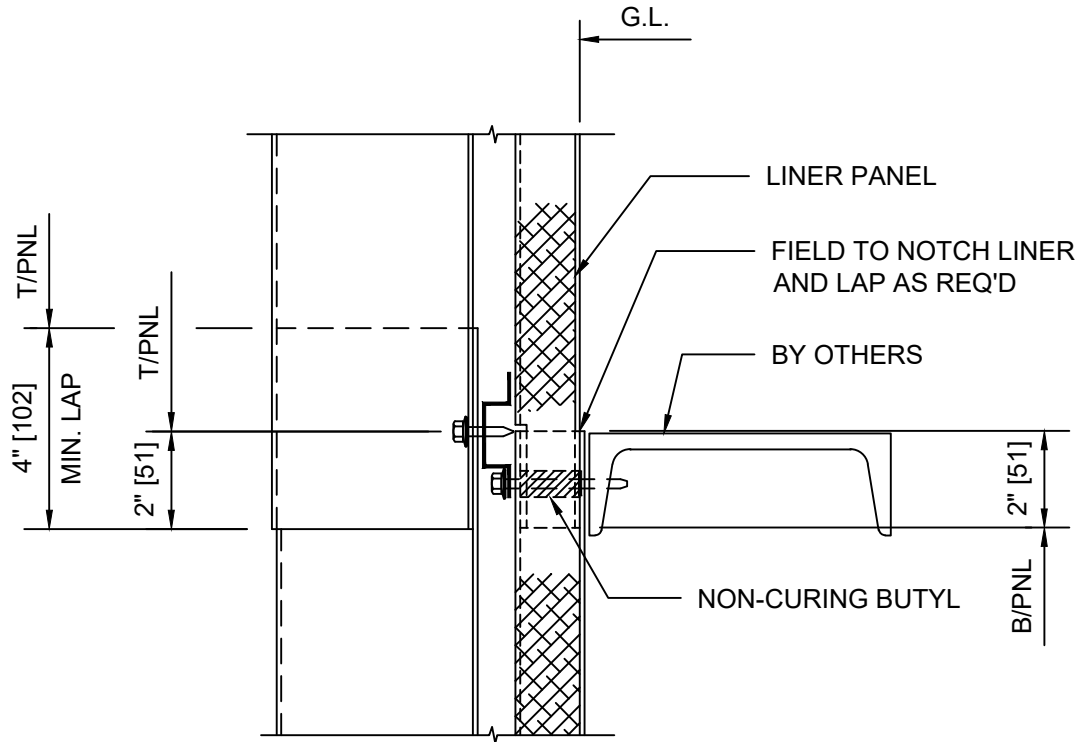
**DETAIL 5**  
JAMB OPENING - INSULATED

\*DETAILS SHOWN ARE FOR PROMOTIONAL USE ONLY.  
THESE DETAILS SHOULD NOT FOR ANY REASON BE  
USED FOR CONSTRUCTION PURPOSES.



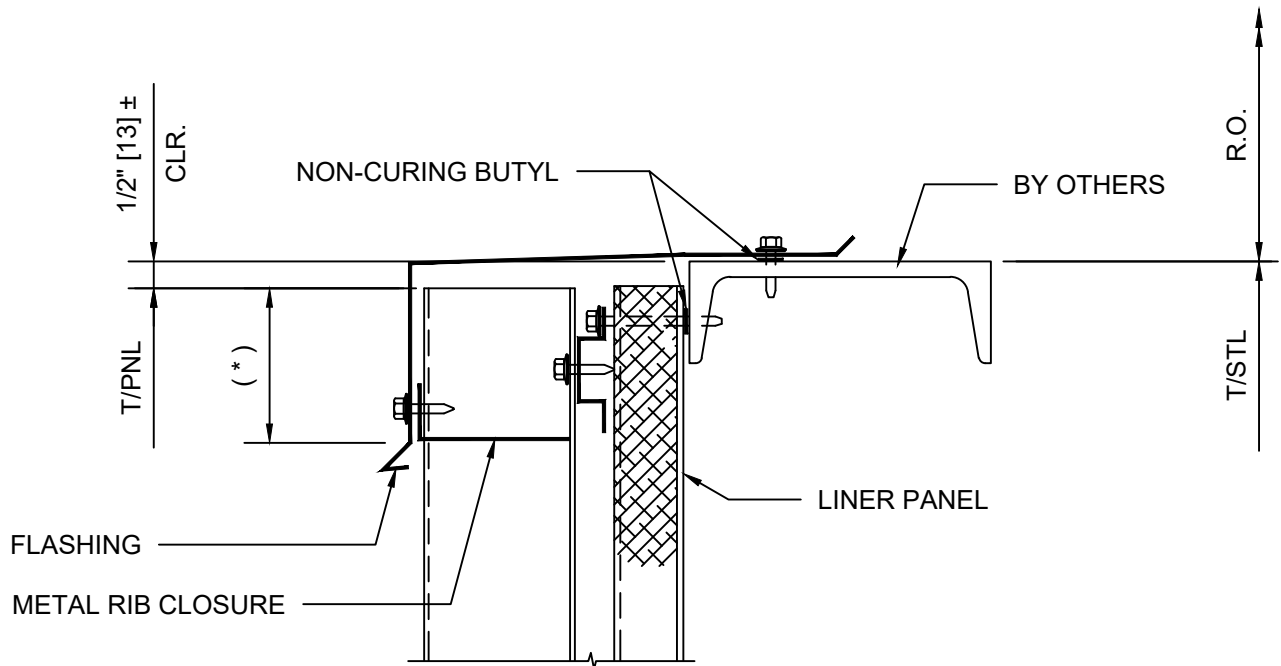
**DETAIL 3A**  
 BASE AT CURB - INSULATED

**\*DETAILS SHOWN ARE FOR PROMOTIONAL USE ONLY.  
 THESE DETAILS SHOULD NOT FOR ANY REASON BE  
 USED FOR CONSTRUCTION PURPOSES.**



**DETAIL 2**  
ENDLAP - INSULATED

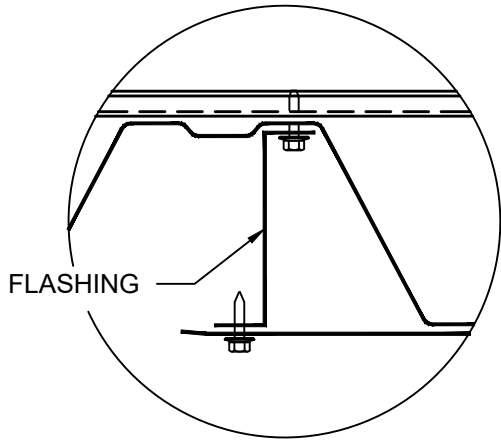
\*DETAILS SHOWN ARE FOR PROMOTIONAL USE ONLY.  
THESE DETAILS SHOULD NOT FOR ANY REASON BE  
USED FOR CONSTRUCTION PURPOSES.



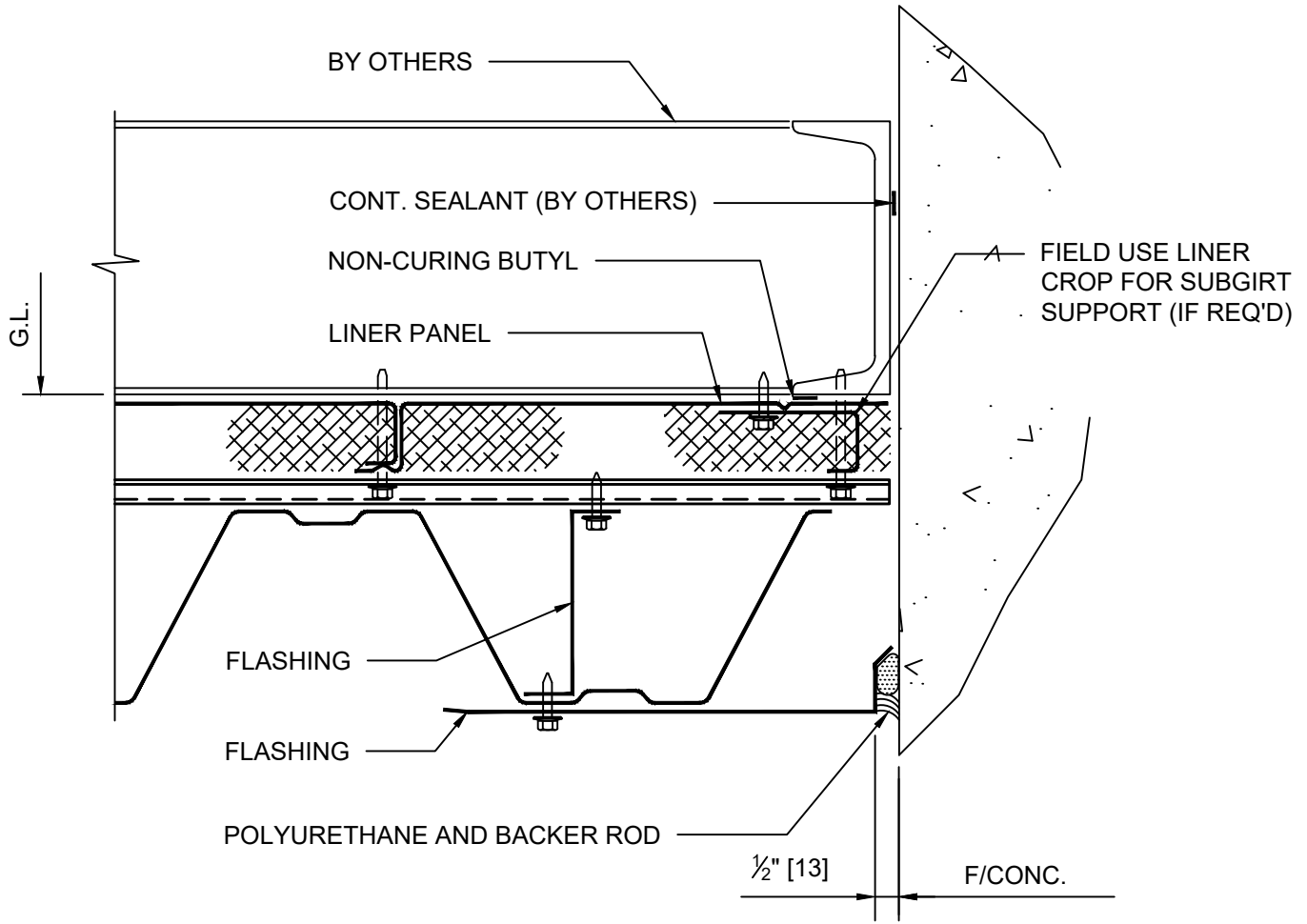
**DETAIL 6**  
SILL OPENING - INSULATED

\*DETAILS SHOWN ARE FOR PROMOTIONAL USE ONLY.  
THESE DETAILS SHOULD NOT FOR ANY REASON BE  
USED FOR CONSTRUCTION PURPOSES.



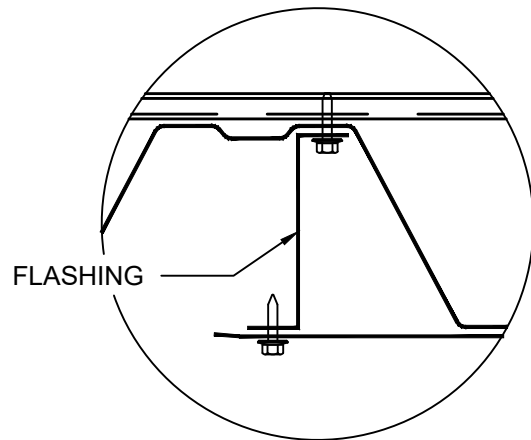


**OPTIONAL LOW CELL DETAIL**

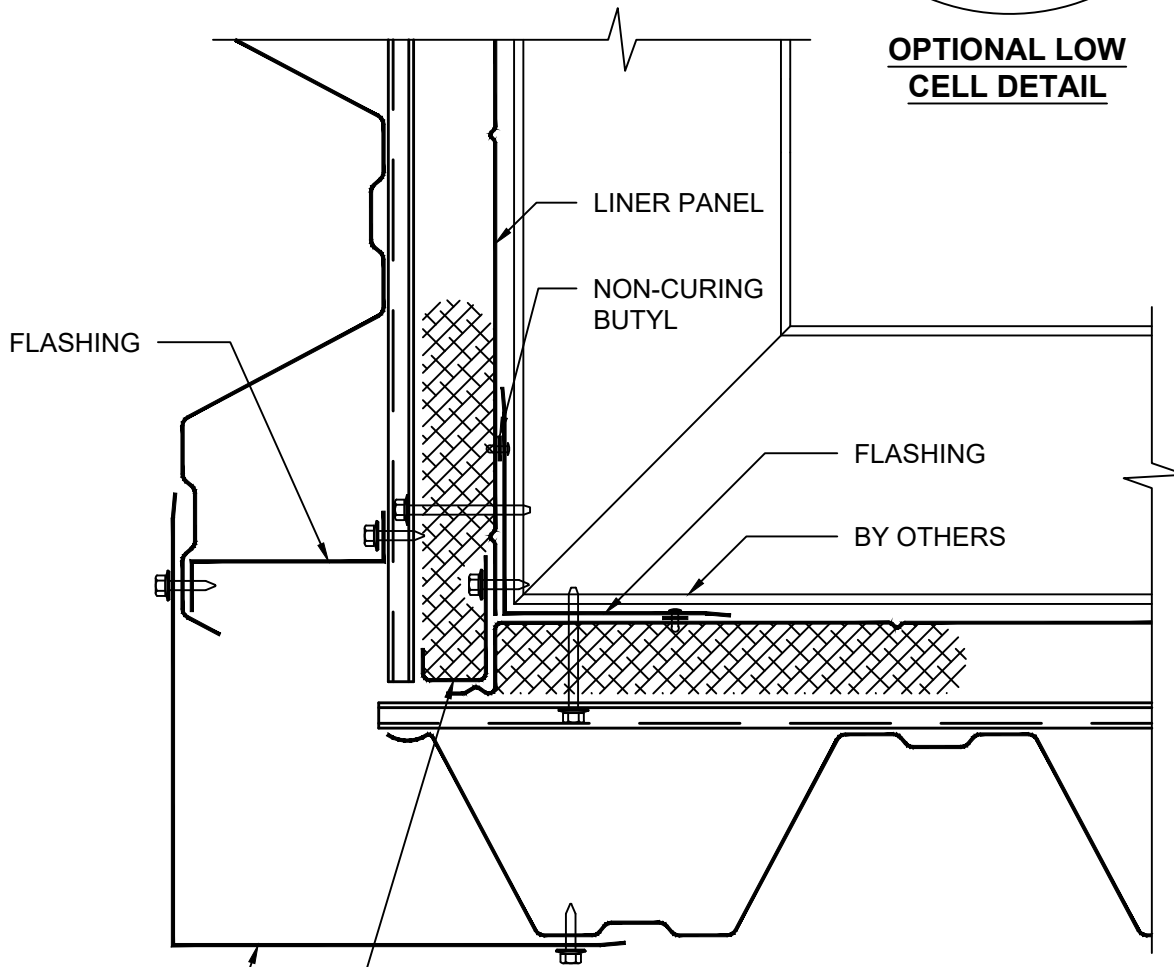


**DETAIL 11**  
ENDWALL - INSULATED

**\*DETAILS SHOWN ARE FOR PROMOTIONAL USE ONLY.  
THESE DETAILS SHOULD NOT FOR ANY REASON BE  
USED FOR CONSTRUCTION PURPOSES.**



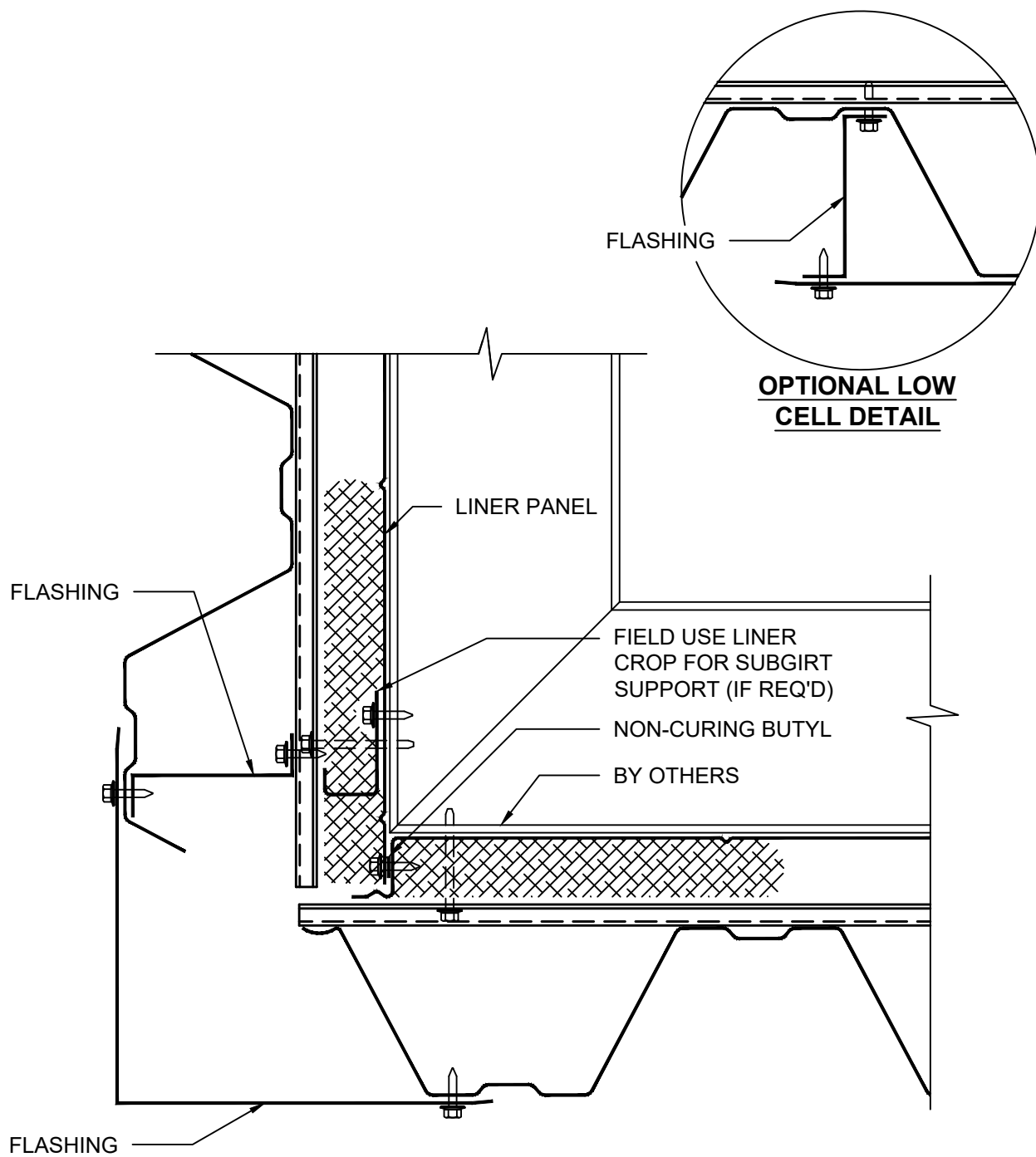
**OPTIONAL LOW CELL DETAIL**



**DETAIL 9**

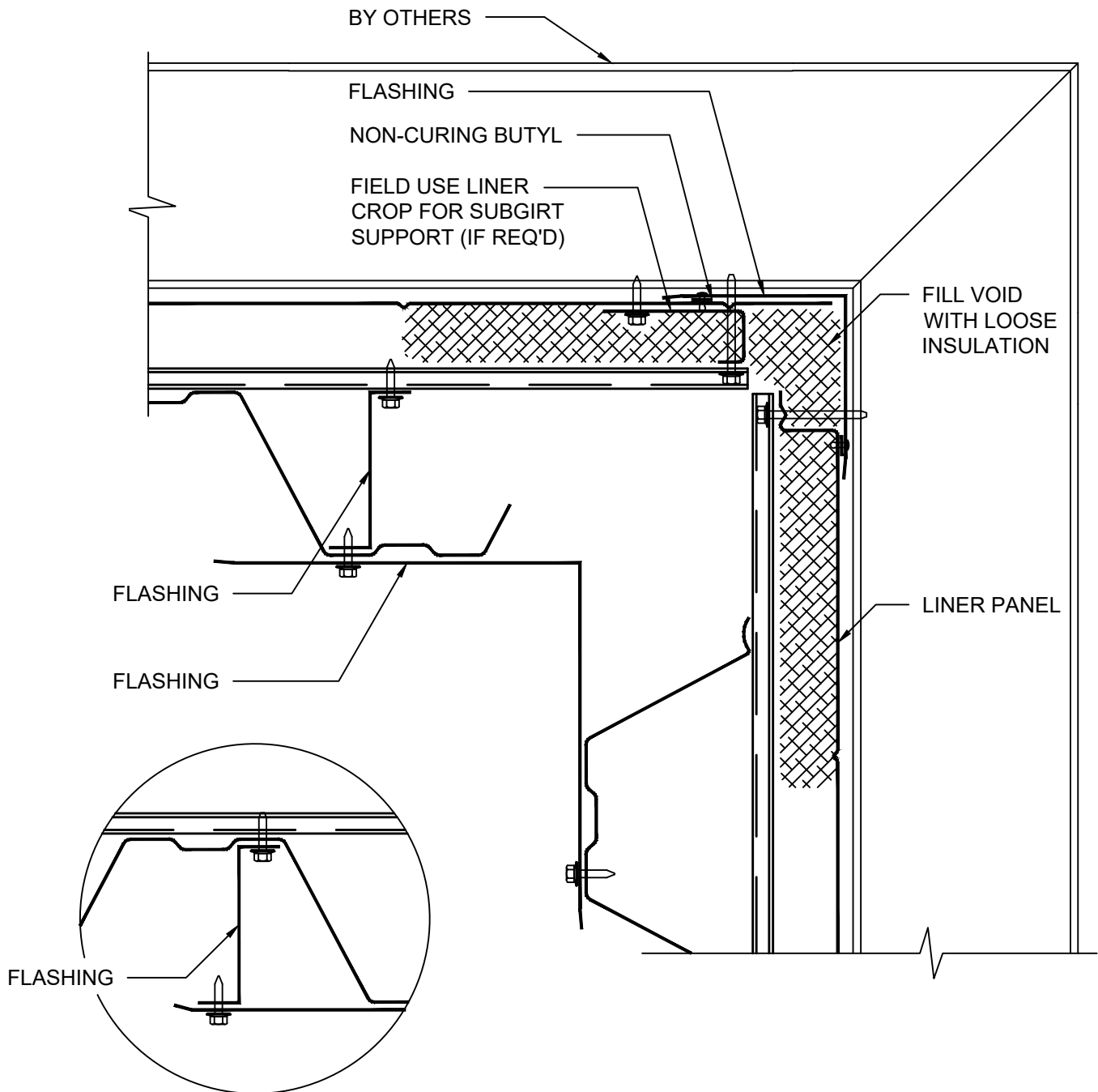
**OUTSIDE CORNER WITH LINER FLASH - INSULATED**

\*DETAILS SHOWN ARE FOR PROMOTIONAL USE ONLY. THESE DETAILS SHOULD NOT FOR ANY REASON BE USED FOR CONSTRUCTION PURPOSES.



**DETAIL 9A**  
 OUTSIDE CORNER WITHOUT  
 LINER FLASH - INSULATED

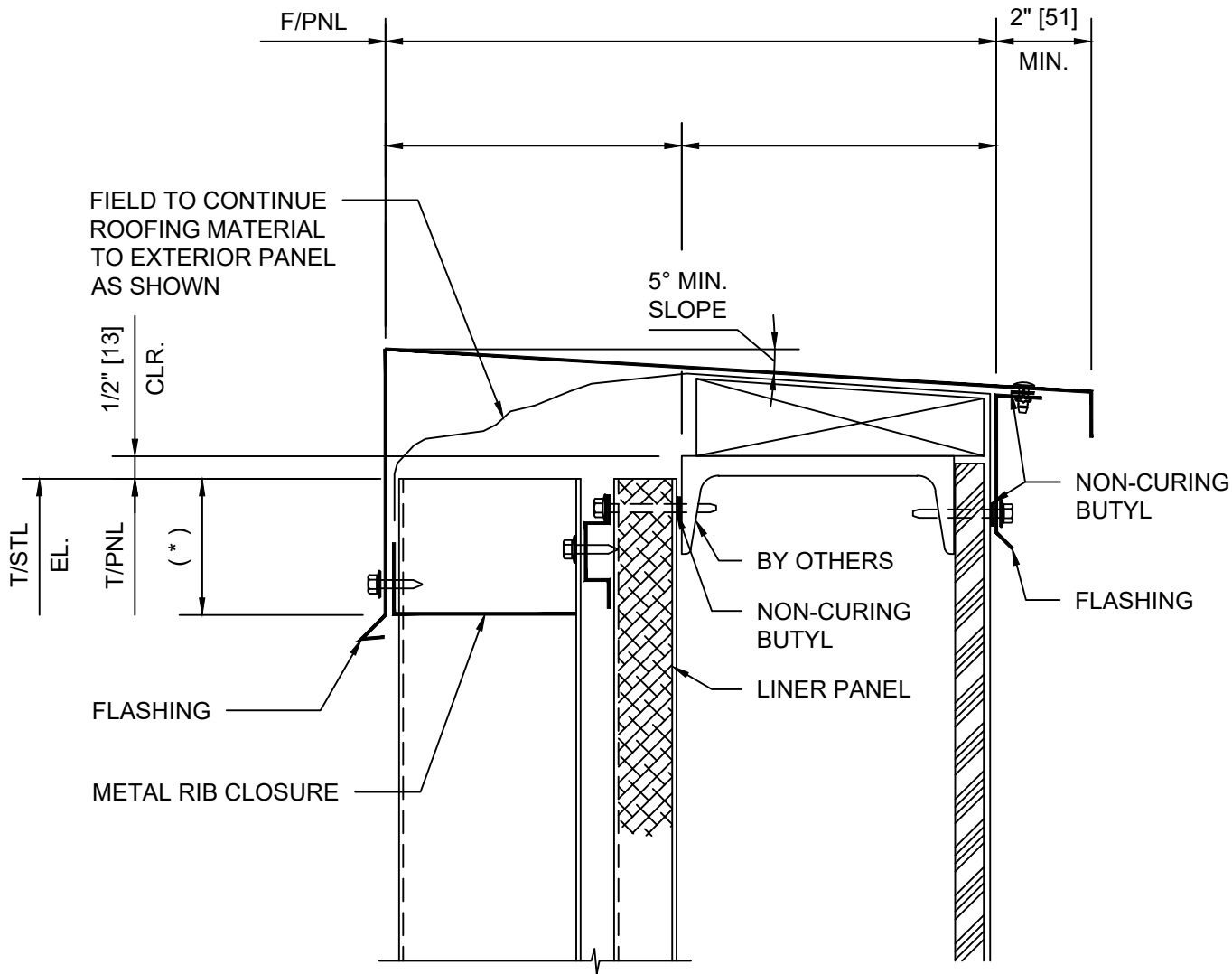
\*DETAILS SHOWN ARE FOR PROMOTIONAL USE ONLY.  
 THESE DETAILS SHOULD NOT FOR ANY REASON BE  
 USED FOR CONSTRUCTION PURPOSES.



**OPTIONAL LOW CELL DETAIL**

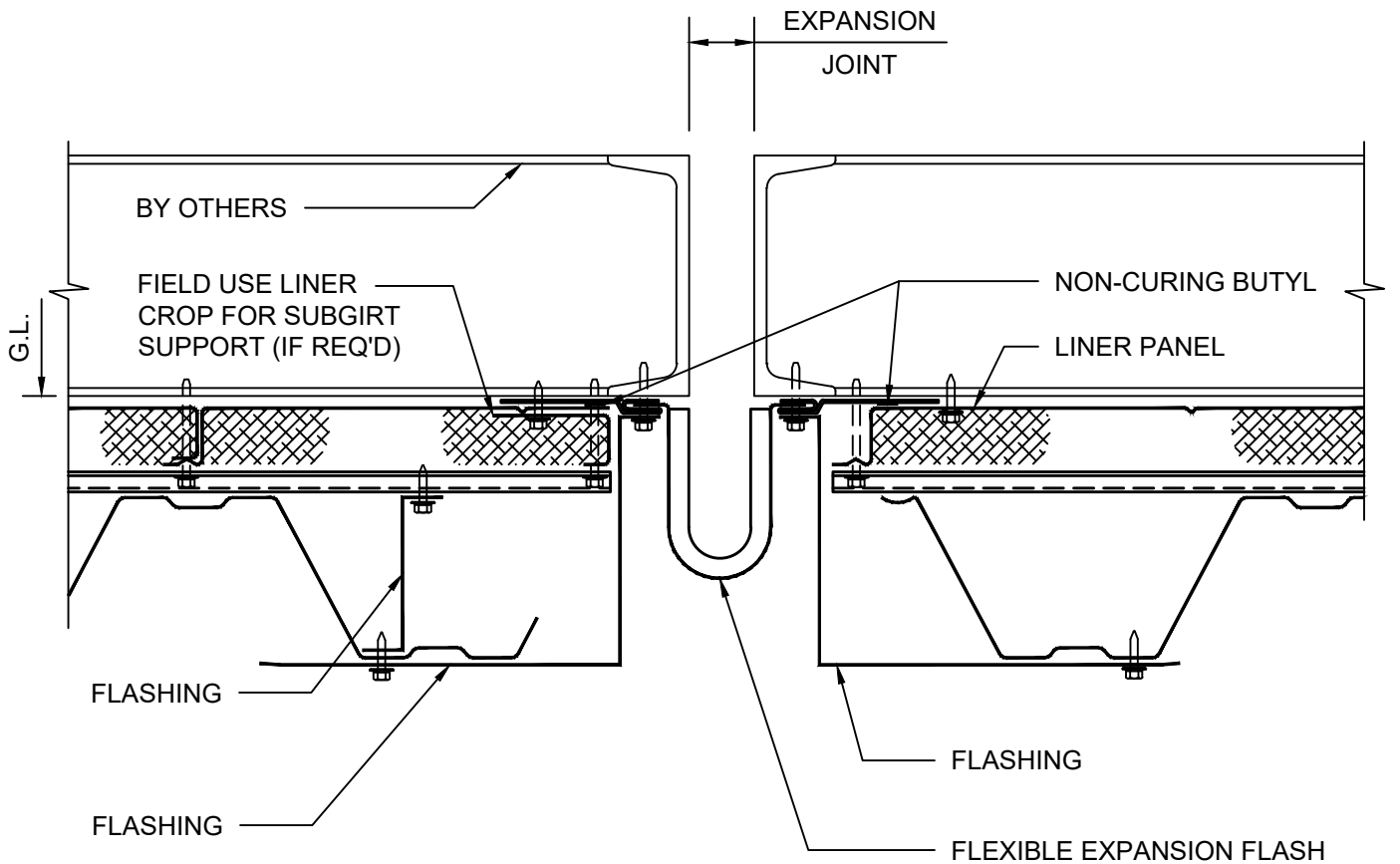
**DETAIL 10**  
INSIDE CORNER - INSULATED

\*DETAILS SHOWN ARE FOR PROMOTIONAL USE ONLY.  
THESE DETAILS SHOULD NOT FOR ANY REASON BE  
USED FOR CONSTRUCTION PURPOSES.



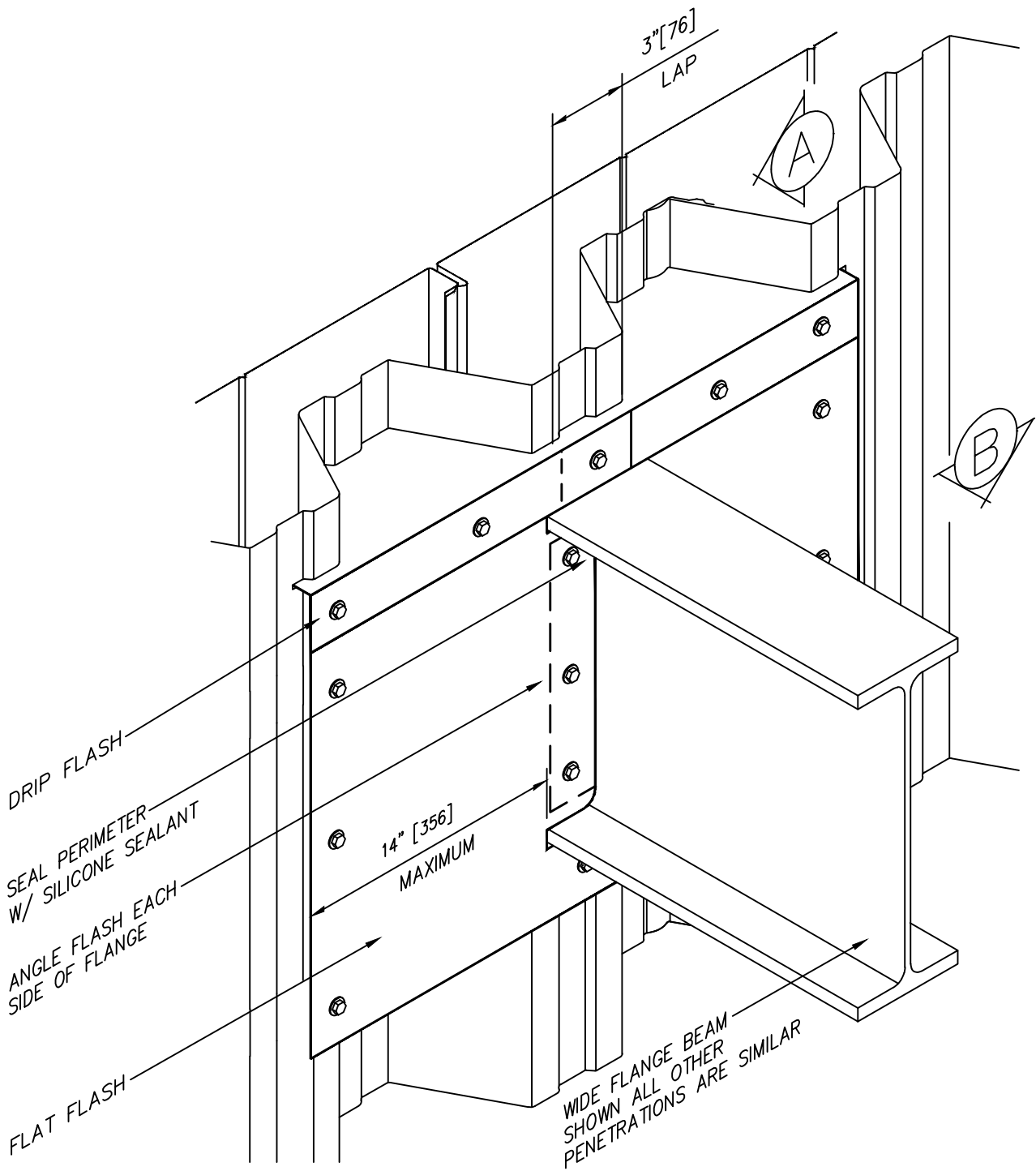
**DETAIL 7**  
PARAPET - INSULATED

\*DETAILS SHOWN ARE FOR PROMOTIONAL USE ONLY. THESE DETAILS SHOULD NOT FOR ANY REASON BE USED FOR CONSTRUCTION PURPOSES.



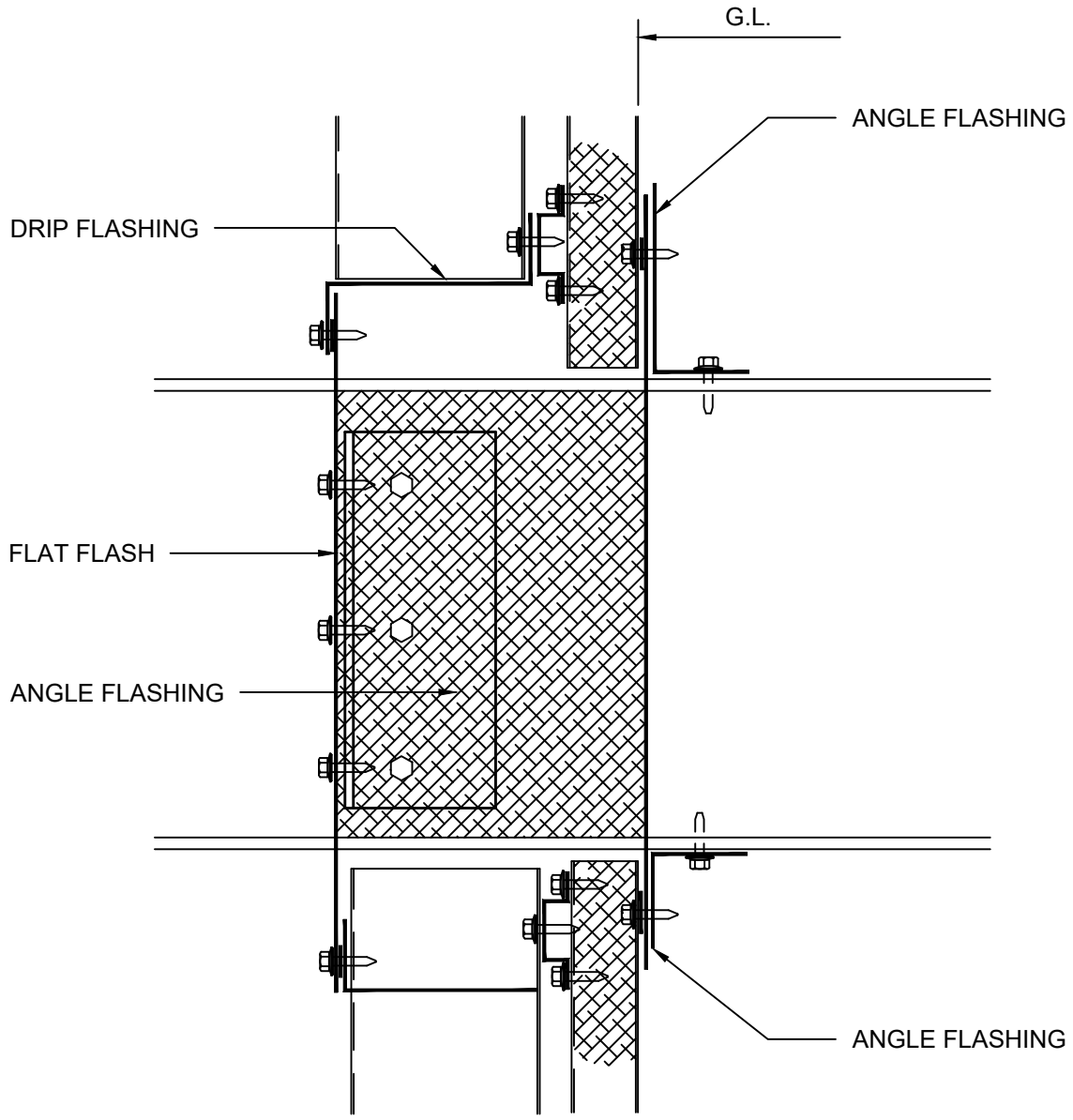
**DETAIL 13**  
EXPANSION JOINT - INSULATED

\*DETAILS SHOWN ARE FOR PROMOTIONAL USE ONLY.  
THESE DETAILS SHOULD NOT FOR ANY REASON BE  
USED FOR CONSTRUCTION PURPOSES.



**DETAIL 15**  
PENETRATION

**\*DETAILS SHOWN ARE FOR PROMOTIONAL USE ONLY. THESE DETAILS SHOULD NOT FOR ANY REASON BE USED FOR CONSTRUCTION PURPOSES.**

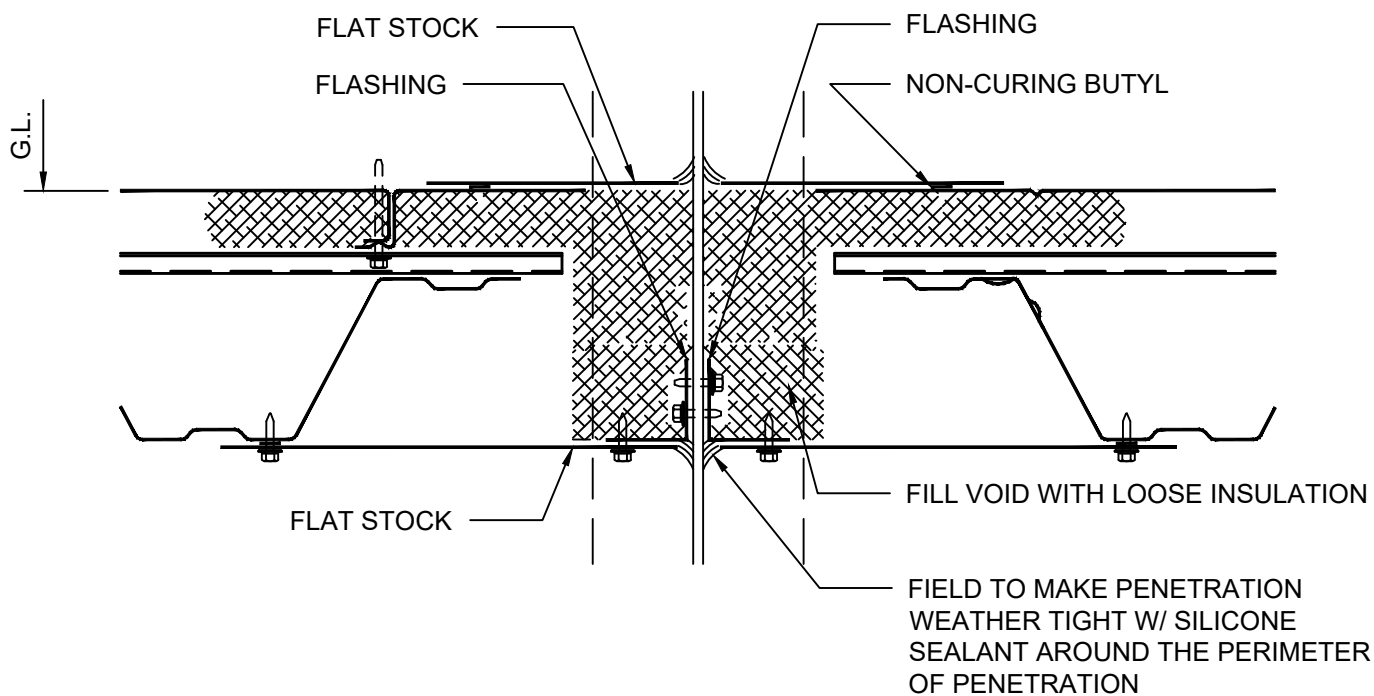


**NOTE:**  
 OPTIONAL METAL CLOSURE  
 AVAILABLE FOR AESTHETICS  
 UPON REQUEST

**DETAIL 15A**  
 PENETRATION  
 (SECTION A-A)

**\*DETAILS SHOWN ARE FOR PROMOTIONAL USE ONLY. THESE DETAILS SHOULD NOT FOR ANY REASON BE USED FOR CONSTRUCTION PURPOSES.**





**DETAIL 15B**  
 PENETRATION  
 (SECTION B-B)

\*DETAILS SHOWN ARE FOR PROMOTIONAL USE ONLY. THESE DETAILS SHOULD NOT FOR ANY REASON BE USED FOR CONSTRUCTION PURPOSES.